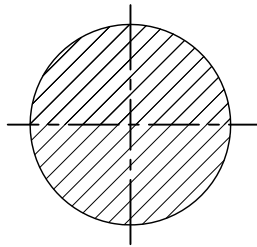
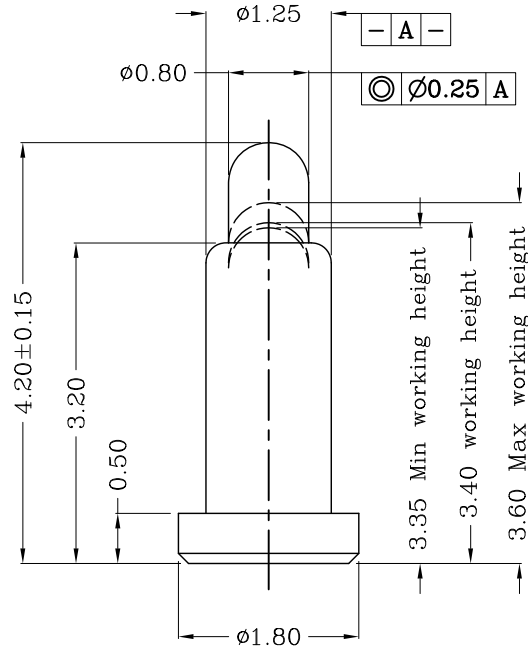
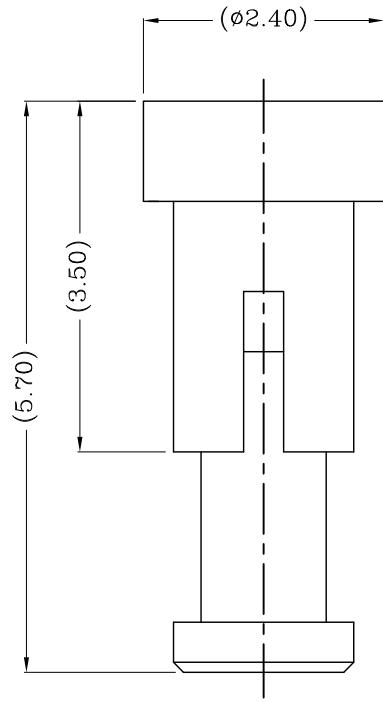


THIS INFORMATION IS CONFIDENTIAL AND IS DISCLOSED TO YOU ON CONDITION THAT NO FURTHER DISCLOSURE IS MADE BY YOU TO OTHER THAN TOP-LINK PERSONNEL WITHOUT WRITTEN AUTHORIZATION FROM TOP-LINK LTD.

DWN No.: C-10101011220



Recommended PCB Layout

DIST

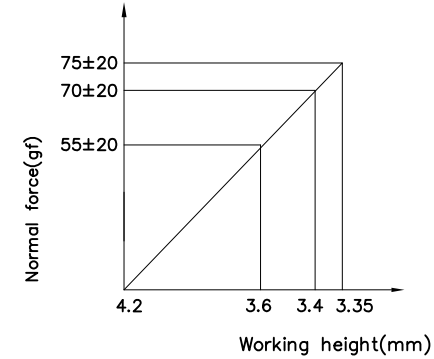
DIST

1	NEW	2014/05/22
Rev.	Revision record.	Date.

Top-Link Electronics Ltd.
TOLERANCES UNLESS OTHER SPECIFIED
0.0 = ± 0.15
0.00 = ± 0.10
0.000 = ± 0.05
Angle: ±
SURF TEXTURE: REMOVE BURRS.
BREAK SHARP EDGES
R0.05 MAX.DO NOT SCALE PRINT.

Type	Customer drawing	Unit	mm	Weight	
DWN:	Cai wanlu	APVD:			
CHK:		REL:			
Name POGO PIN					
Scale	1:1	Size	A4	DWG No.	C-10101011220
Page	1/1	Rev.	1		

Item	Part name	Q'ty/Ea'	Material	Finish
1	Body	1	Leaded Brass	Au 0.1um plating Ni 1.4um
2	Plunger	1	Leaded Brass	Au 0.4um plating Ni 1.4um
3	Spring	1	Stainless steel wire	_____
4	CAP	1	High temp.Plastic UL94 V-0 Color Black	_____
5				



Notes:

- Dimensions shall be interpreted per ASME Y14.5M.
- Mechanical performance(See the table 1)
<2.1>The force is the average of forces obtained when plunger goes downwards and upwards.
<2.2>Warning: Working height are not permitted to be less than Min working height.
- Electrical performance
Resistance: 30mOhm Max.
Current rating: 2.0A
- Packaging specification conforms to EIA 481
- RoHS compliant.

10101011220

PART NUMBER