

# P0080SA - P5000SA Series

ROHS

DO-214AA(SMB) @10/700 $\mu$ S, 2KV

## Thyristor Surge Suppressors (TSS)

### Description

P0080SA - P5000SA Series are designed to protect broadband equipment such as modems, line card, CPE and DSL from damaging over-voltage transients.

The series provides a surface mount solution that enables equipment to comply with global regulatory standards.

### Features and Benefits

- ◆ Low voltage overshoot
- ◆ Low on-state voltage
- ◆ Does not degrade surge capability after multiple surge events within limit
- ◆ Fails short circuit when surged in excess of ratings
- ◆ Low Capacitance

### Applicable Global Standards

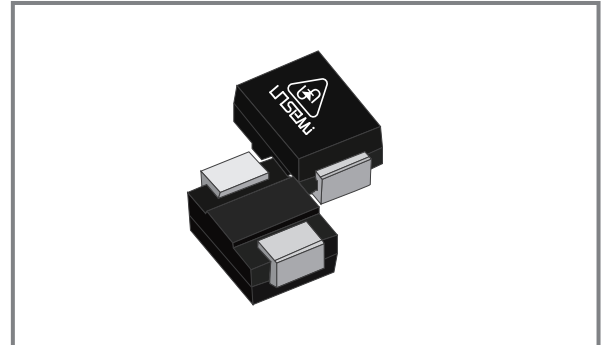
- ◆ TIA-968-A
- ◆ ITU K.20/21 Enhanced level
- ◆ ITU K.20/21 Basic Level
- ◆ GR 1089 Inter building
- ◆ IEC 6100-4-5
- ◆ YD/T 1082
- ◆ YD/T 993
- ◆ YD/T 950

### Electrical Parameters

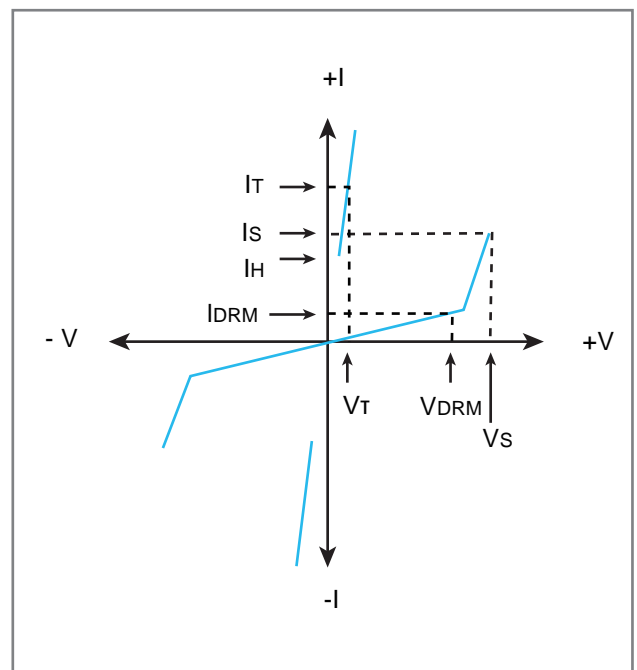
Parameter	Definition
$I_S$	<b>Switching Current</b> - maximum current required to switch to on state
$I_{DRM}$	<b>Leakage Current</b> - maximum peak off-state current measured at $V_{DRM}$
$I_H$	<b>Holding Current</b> - minimum current required to maintain on state
$I_T$	<b>On-state Current</b> - maximum rated continuous on-state current
$V_S$	<b>Switching Voltage</b> - maximum voltage prior to switching to on state
$V_{DRM}$	<b>Peak Off-state Voltage</b> - maximum voltage that can be applied while maintaining off state
$V_T$	<b>On-state Voltage</b> - maximum voltage measured at rated on-state current
$C_0$	<b>Off-state Capacitance</b> - typical capacitance measured in off state



www.unsemi.com.tw



### Schematic Symbol



### Electrical Characteristics

Part Number	Marking	$V_{DRM}$ @ $I_{DRM}=5\mu A$	$I_{DRM}$	$V_s$ @100V/ $\mu$ S	$I_s$	$V_T$ @ $I_T=2.2A$	$I_T$	$I_H$	$C_o$ @1MHz
		VMin.	$\mu$ A Max.	VMax.	mA Max.	VMax.	A Max.	mA Min.	pF Max.
P0080SA	P008A	6	5	25	800	4	2.2	50	50
P0300SA	P03A	25	5	40	800	4	2.2	50	70
P0640SA	P06A	58	5	77	800	4	2.2	150	50
P0720SA	P07A	65	5	88	800	4	2.2	150	50
P0900SA	P09A	75	5	98	800	4	2.2	150	45
P1100SA	P11A	90	5	130	800	4	2.2	150	45
P1300SA	P13A	120	5	160	800	4	2.2	150	45
P1500SA	P15A	140	5	180	800	4	2.2	150	40
P1800SA	P18A	170	5	220	800	4	2.2	150	40
P2000SA	P20A	180	5	220	800	4	2.2	150	40
P2300SA	P23A	190	5	260	800	4	2.2	150	35
P2600SA	P26A	220	5	300	800	4	2.2	150	35
P3100SA	P31A	275	5	350	800	4	2.2	150	30
P3500SA	P35A	320	5	400	800	4	2.2	150	30
P3800SA	P38A	360	5	460	800	4	2.2	150	30
P4200SA	P42A	400	5	520	800	4	2.2	150	30
P4500SA	P45A	420	5	540	800	4	2.2	150	30
P5000SA	P50A	440	5	600	800	4	2.2	150	30

Notes:

- Absolute maximum ratings measured at TA= 25°C (unless otherwise noted).
- Devices are bi-directional.

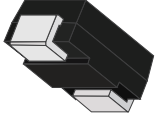
### Surge Ratings

Series	2/10 $\mu$ S <sup>1</sup>	8/20 $\mu$ S <sup>1</sup>	10/560 $\mu$ S <sup>1</sup>	10/560 $\mu$ S <sup>1</sup>	10/1000 $\mu$ S <sup>1</sup>	5/320 $\mu$ S <sup>1</sup>	$I_{TSM}$ 50/60Hz	di/dt
	2/10 $\mu$ S <sup>2</sup>	1.2/50 $\mu$ S <sup>2</sup>	10/560 $\mu$ S <sup>2</sup>	10/560 $\mu$ S <sup>2</sup>	10/1000 $\mu$ S <sup>2</sup>	10/700 $\mu$ S <sup>2</sup>		
	A min	A min	A min	A min	A min	A min	A min	Amps/ $\mu$ s max
A	150	150	90	50	45	50	20	500

Notes:

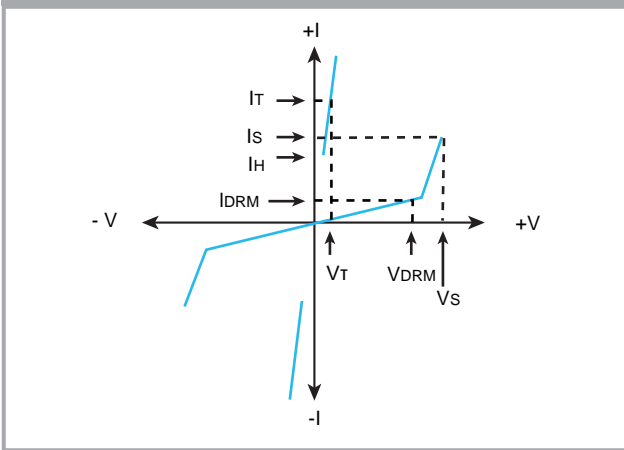
- Current waveform in  $\mu$ s
  - Voltage waveform in  $\mu$ s
- Peak pulse current rating (IPP) is repetitive and guaranteed for the life of the product.
  - IPP ratings applicable over temperature range of -40°C to +85°C
  - The device must initially be in thermal equilibrium with -40°C < TJ < +150°C

**Thermal Considerations**

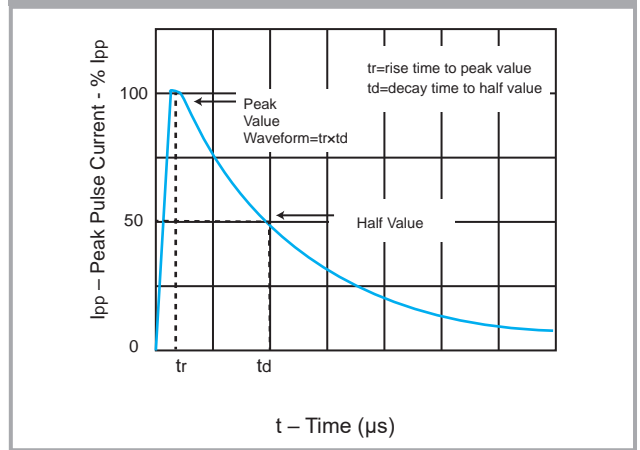
Package	Symbol	Parameter	Value	Unit
	T <sub>J</sub>	Operating Junction Temperature Range	- 40 to +150	°C
	T <sub>s</sub>	Storage Temperature Range	- 40 to +150	°C
	R <sub>θJA</sub>	Thermal Resistance: Junction to Ambient	90	°C/W

**Characteristic Curves**

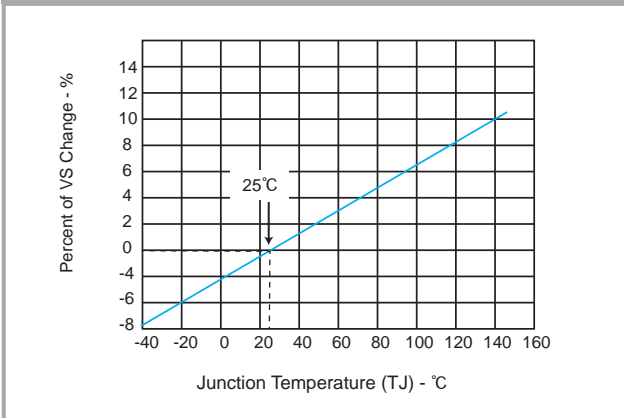
**Figure 1 - V- I Characteristics**



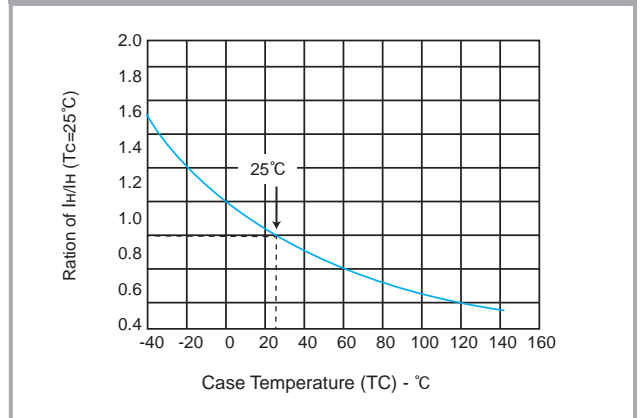
**Figure 2 - tr x td Pulse Waveform**



**Figure 3 - Normalized VS Change Versus Junction Temperature**



**Figure 4 - Normalized DC Holding Current Versus Case Temperature**



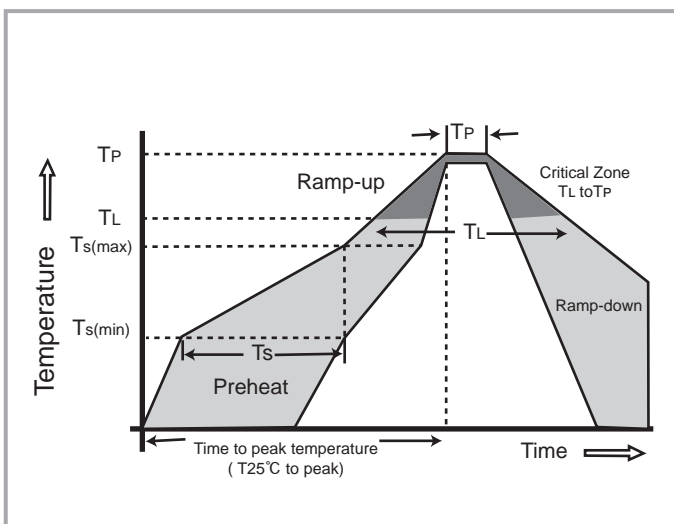
### Environmental Specifications

High Temp Voltage Blocking	80% Rated VDRM (VAC Peak) +125°C or +150°C, Lead Material Copper Alloy High Temp Voltage Blocking 504 or 1008 hrs. MIL-STD-750 (Method 1040) JEDEC, JESD22-A-101
Temp Cying	-65°C to +150°C, 15 min. dwell, 10 up to 100 cycles.MIL-STD-750 (Method 1051) EIA/JEDEC, JESD22-A104
Biased Temp & Humidity	52 VDC (+85°C) 85%RH, 504 up to 1008 hrs. EIA/ JEDEC, JESD22-A-101
High Temp Storage	+150°C 1008 hrs. MIL-STD-750 (Method 1031) JEDEC, JESD22-A-101
Low Temp Storage	-65°C, 1008 hrs.
Thermal Shock	0°C to +100°C, 5 min. dwell, 10 sec. transfer, Thermal Shock 10 cycles. MIL-STD-750 (Method 1056) JEDEC, JESD22-A-106
Autoclave (Pressure Cooker Test)	+121°C, 100%RH, 2atm, 24 up to 168 hrs. EIA/Cooker Test) JEDEC, JESD22-A-102
Resistance to Solder Heat	+260°C, 30 secs. MIL-STD-750 (Method 2031
Moisture Sensitivity Level	85%RH, +85°C, 168 hrs., 3 reflow cycles Level (+260°C Peak). JEDEC-J-STD-020, Level 1

### Physical Specifications

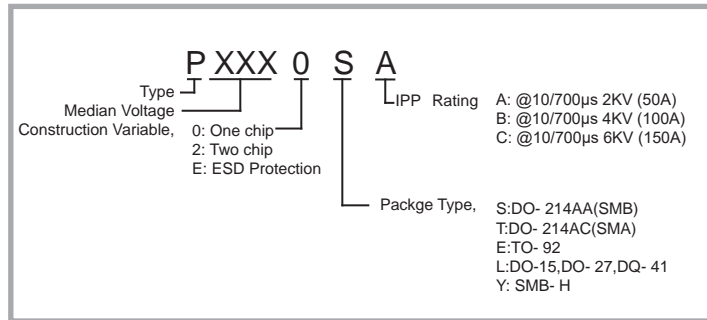
Lead Material	Copper Alloy
Terminal Finish	100% Matte-Tin Plated
Body Material	UL recognized epoxy meeting flammability classification 94V-0

### Soldering Parameters

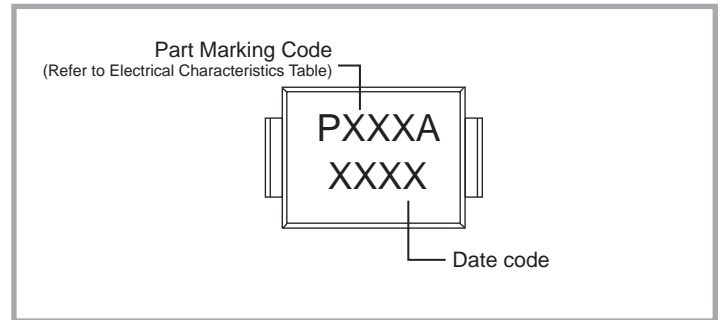


Reflow Condition		Lead-free assembly
Pre Heat	-Temperature Min (Ts(min))	+150°C
	-Temperature Max (Ts(max))	+200°C
	- Time (min to max) (Ts)	60 -180 Seconds
Average ramp up rate ( Liquidus Temp TL) to peak		3°C/Second max
Ts(max) to TL - Ramp-up Rate		5°C/Second max
Reflow	- Temperature (TL) (Liquidus)	217°C
	- Time (min to max) (Ts)	60 -150 Seconds
Peak Temperature (TP)		260 +0/-5°C
Time within 5°C of actual peak Temperature (TP)		30 Seconds Max
Ramp-down Rate		6°C/Second Max
Time 25°C to peak Temperature (TP)		8 minutes Max
Do not exceed		+260°C

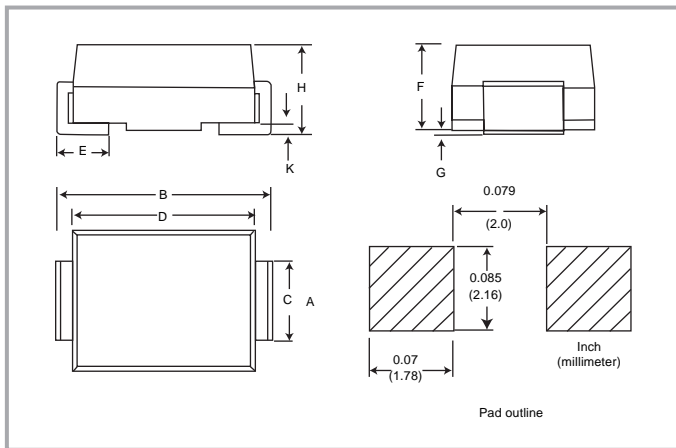
### Part Numbering



### Part Marking



### Dimensions DO-214AA

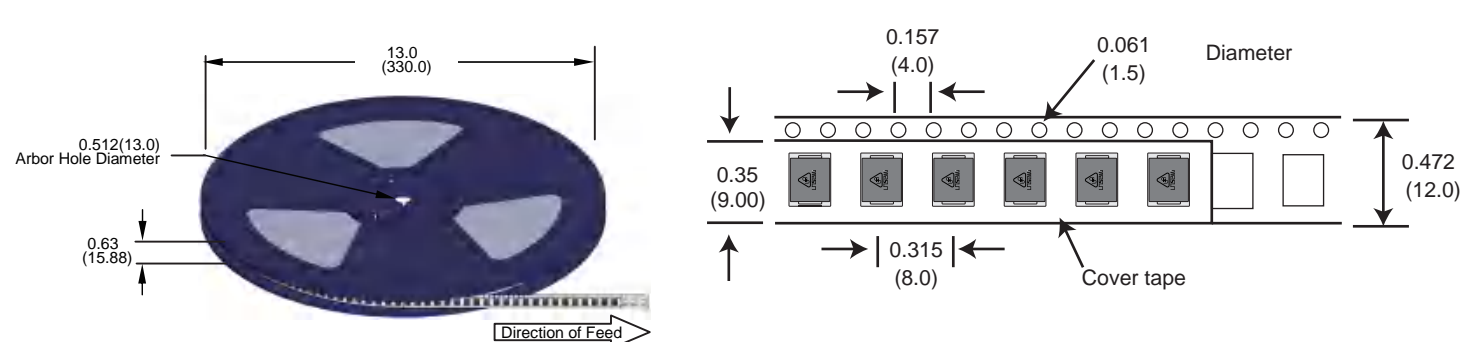


Dimensions	Inches		Millimeters	
	Min	Max	Min	Max
<b>A</b>	0.130	0.156	3.30	3.95
<b>B</b>	0.201	0.220	5.10	5.60
<b>C</b>	0.077	0.087	1.95	2.20
<b>D</b>	0.159	0.181	4.05	4.60
<b>E</b>	0.030	0.063	0.76	1.60
<b>F</b>	0.076	0.096	1.90	2.45
<b>G</b>	0.002	0.008	0.05	0.20
<b>H</b>	0.077	0.104	1.95	2.65
<b>K</b>	0.006	0.016	0.15	0.41

### Packaging

Part Number	Component Package	Quantity	Packaging Option	Packaging Specification
Pxxx0SA	DO-214AA	2500	Tape & Reel -12mm/13"tape	EIA -481 - D

### Tape and Reel Specifications



## Disclaimer

UNSEMI RESERVES THE RIGHT TO MAKE CHANGE ON OUR PRODUCTS , PRODUCTS SPECIFICATION AND DATA WITHOUT NOTICE TO IMPROVE RELIABILITY, FUNCTION OR DESIGN OR OTHERWISE.

UN SEMICONDUCTOR LIMITED its affiliates, agents, and employees, and all persons acting on its or their behalf (collectively, "UNSEMI") does not give any representations or warranties for any errors, inaccuracies or incompleteness contained in any datasheet or in any other disclosure relating to any product.

In no event shall UNSEMI be liable for any indirect, incidental, punitive, special or consequential damages (including any and all implied warranties, warranties of fitness for particular purpose, non-infringement and merchantability.) whether or not such damages are based on tort (including negligence), warranty, breach of contract or any other legal theory.

Statements regarding the suitability of products for certain types of applications are based on UNSEMI knowledge of typical requirements that are often placed on UNSEMI products in generic applications. Such statements are not binding, statements about the suitability of products for a particular application. It is the customer's responsibility to validate that a particular product with the properties described in the product specification is suitable for use in a particular application. Parameters provided in datasheets or specifications may vary in different applications and performance may vary over time. All operating parameters, including typical parameters, must be validated for each customer application by the customer's technical experts. Product specifications do not expand or otherwise modify UNSEMI's terms and conditions of purchase, including but not limited to the warranty expressed therein.

Unless otherwise agreed in writing, UNSEMI product is not designed, authorized or warranted to be suitable for use in medical life-saving, or life-sustaining application , nor in applications where failure or malfunction of a UNSEMI product can reasonably be expected to result in personal injury, death or severe property or environmental damage. UNSEMI and its suppliers accept no liability for inclusion or use of UNSEMI products in such equipment or applications and therefore such inclusion and/or use is at the customer's own risk.

All referenced brands, product names, service names and trademarks are the property of their respective owners.