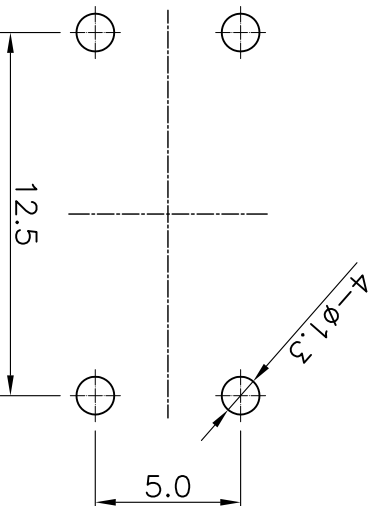
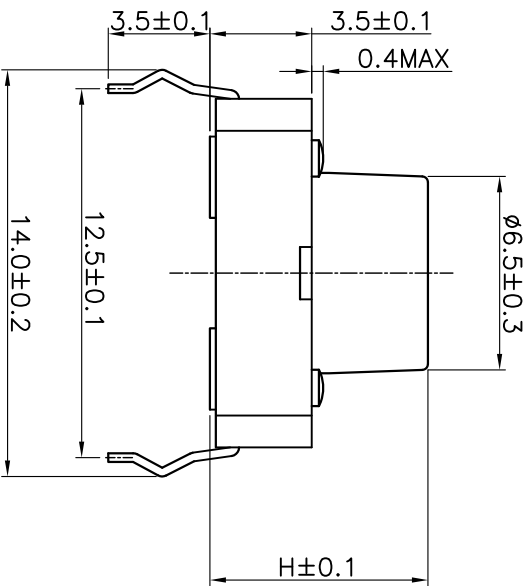


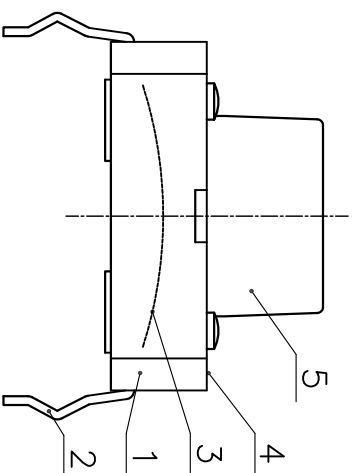
CIRCUIT DIAGRAM

NOTE

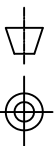
- 1. RATING : DC 12V 50mA
- 2. CONTACT RESISTANCE : 100mΩ MAX
- 3. GENERAL TOLERANCE :±0.3
- 4. MANUFACTURING SPECIFICATION WOULD BE ACCORDANCE WITH WT0158



P.C.B LAND DIMENSION



(H=4.3mm;5.0mm;6.0mm;7.0mm)



MODEL : IT-1103	DRAWN BY : Leiqin	UNIT : mm	GENERAL TOLERANCE: (UNLESS SPECIFIED)
TITLE : TACT SWITCH	CHECKED BY : <i>Liwei</i>	SIZE : A4	X, X ±0.30mm X ° ± 3°
SCALE : 4:1	APPROVED BY : <i>Wuxin</i>	SHEET : 1 OF 1	X, X ±0.25mm X, X ° ± 2°
			X, XX ±0.20mm X, XX ° ± 1°
			X, XXX ±0.10mm X, XXX ° ± 0.5°

NO.	Part Name	Material	Qty	Note
5	Stem	PA66	1	Black
4	Cover	COLD PRESSED STEEL PLATE	1	CuSn plating
3	Coat act	PHOSPHOR BRONZE	1	Ag plating
2	Terminal	BRASS	1	Ag plating
1	Base	PA66	1	Black



SZJUSTWELL ELECTRONICS CO., LTD

NO.	PARTICULAR	BY	DATE
1	REVISIONS		