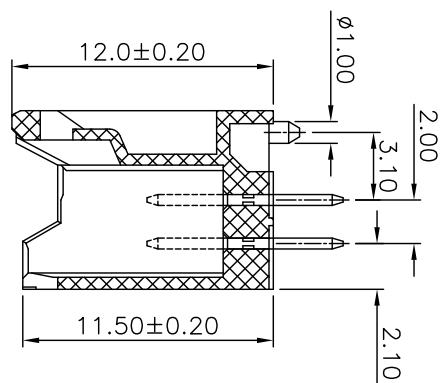


P.C.B.LAYOUT



材质
 塑胶 : PA66 (UL94V-0) 米白色
 端子 : 黄铜
 接触电镀 : 镍底、表面镀锡
 电镀颜色 : 白色

 产品规范
 额定电流 : 2A
 工作温度 : -25°C to +85°C
 接触电阻 : 20mΩ MAX
 绝缘电阻 : 1000MΩ MIN
 最大电压 : 250V AC/DC

MODEL: F2.0-ZC-2X15P	DRAWN BY : Leiqin	DATE:	GENERAL TOLERANCE: (UNLESS SPECIFIED)
TITLE : PH2.0 WAFER 2*15P DIP	CHECKED BY : Liwei	DATE:	X. ±0.30mm X.' ± 3'
DRAWING NO:	REV. : A	DATE:	X.X ±0.25mm X.X' ± 2'
SHEET: 1 OF 1	APPROVED BY: Wuxin	DATE:	X.XX ±0.20mm X.XX' ± 1'
SCALE: 3:1	SIZE: A4	DATE:	X.XXX±0.10mm X.XXX' ± 0.5'
	UNIT : mm		


深圳市吉威电子有限公司
 SZJUSTWELL ELECTRONICS CO., LTD
 MEASURE POINT:
 QUADRANT POINT
 TANGENCY POINT
 INTERSECTION POINT


NO:	PARTICULAR	BY	DATE
REVISIONS			

1	2	3	4	5	6	7	8	9
---	---	---	---	---	---	---	---	---