

## 承 认 书

SPECIFICATION FOR APPROVAL

客户名称: Customer \_\_\_\_\_

货 名: Description SMD3225 石英晶体谐振器

客户料号: Part No \_\_\_\_\_

物料编号: Code No S3220000181060频 率: Frequency 20.000MHZ日 期: Date 2023-04-18备 注: RoHS compliance with Directive (EU) 2015/863

制作(Prepare by)	检查(Check by)	批准 (Approve by)
江丹娜	甘瑛	张刚

客户批准 Approve by customer	
批准日期 Approval date	

Add:广东省深圳市华发北路桑达工业区桑达雅苑 7P

7 P Sangda Yayuan Huafa North Road, Futian District, Shenzhen, Guangdong

Tel: 86-755-83048260

86-755-83048290

Fax: 86-755-83048280

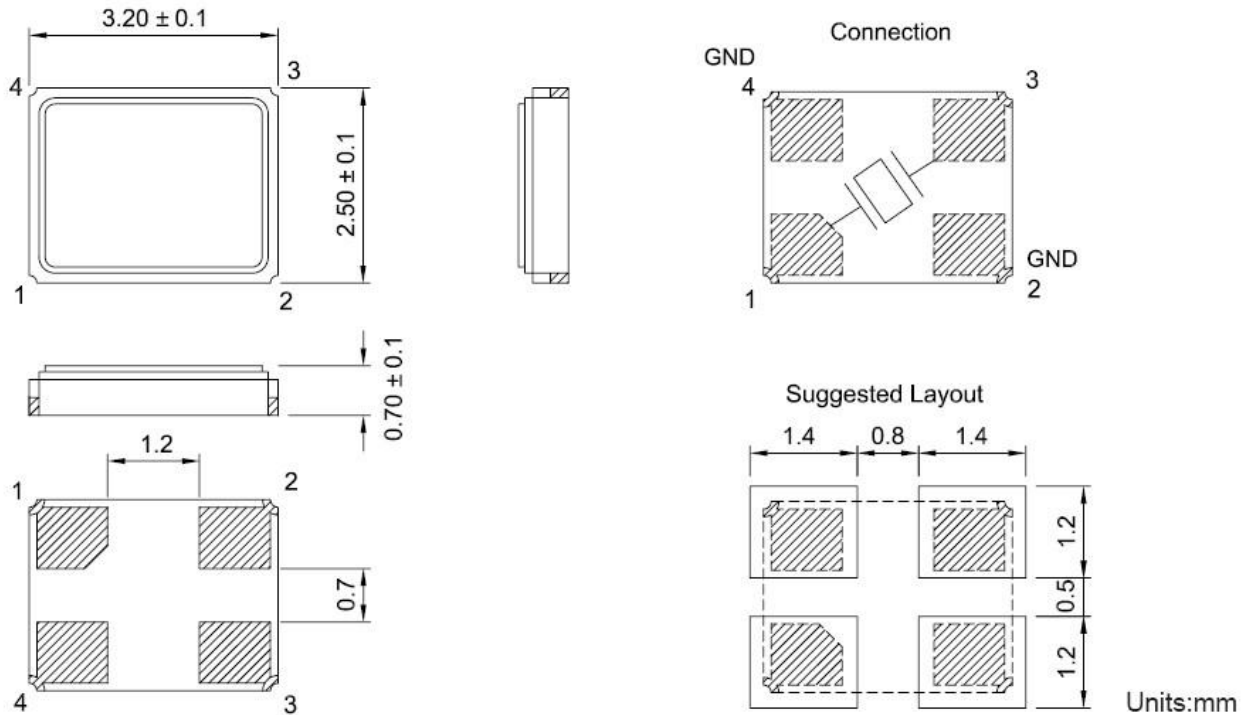
## 1、 Specifications

1	规格型号 Holder Type	SMD3225
2	标称频率 Nominal Frequency	20.000MHz
3	振动模式 Mode of Oscillation	Fundamental
4	调整频差 Frequency Tolerance at 25°C	±10ppm
5	温度频差 Temperature Frequency Stability	±30ppm
6	工作温度 Operating Temperature Range	-40~85°C
7	贮存温度 Storage Temperature Range	-40~125°C
8	负载电容 Load Capacitance	1 8 pF
9	静电容 Shunt capacitance	≤5 pF
10	等效电阻 Equivalent Series Resistance	80 Ω Max
11	激励功率 Drive Level	100uw Max
12	绝缘阻抗 Insulation Resistance	500MΩ/100V±15V <sub>DC</sub>
13	年老化率 Aging	±3ppm/First year
14	测试仪器 Test machine	250B

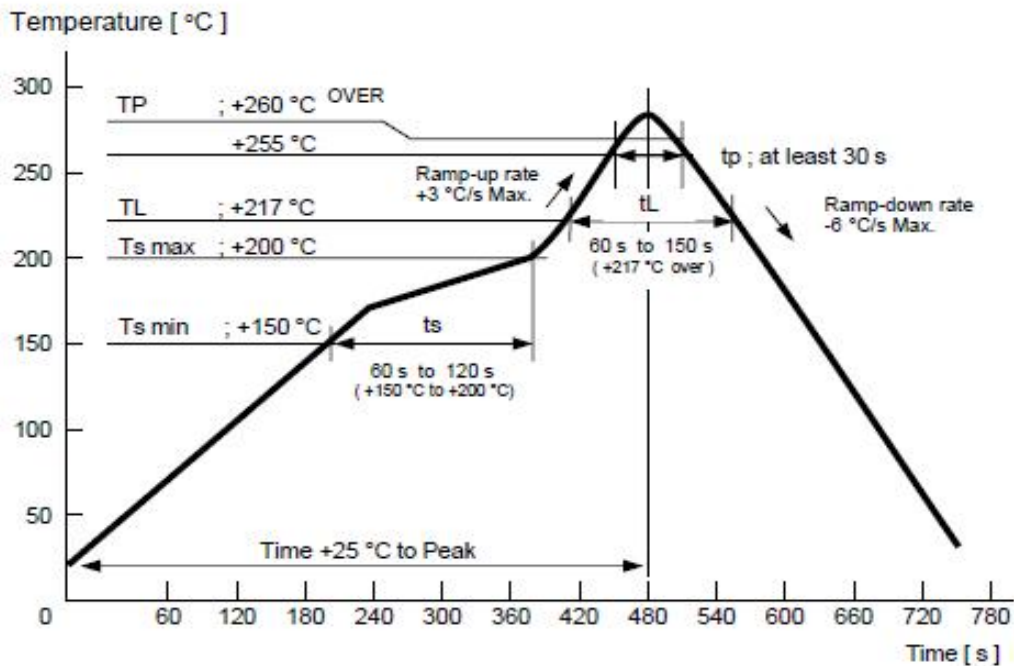
## 2. Frequency stability over temperature range (AT cut)

Temperature Range	Frequency Stability							
	±3PPM	±5PPM	±7.5PPM	±10PPM	±20PPM	±30PPM	±50PPM	±70PPM
0°C~+50°C	☆	☆	☆	☆	☆	☆	☆	☆
-10°C~+60°C			☆	☆	☆	☆	☆	☆
-20°C~+70°C				☆	☆	☆	☆	☆
-30°C~+70°C					☆	☆	☆	☆
-40°C~+85°C						☆	☆	☆
-40°C~+125°C							☆	☆

### 3. Dimensions (unit:mm)



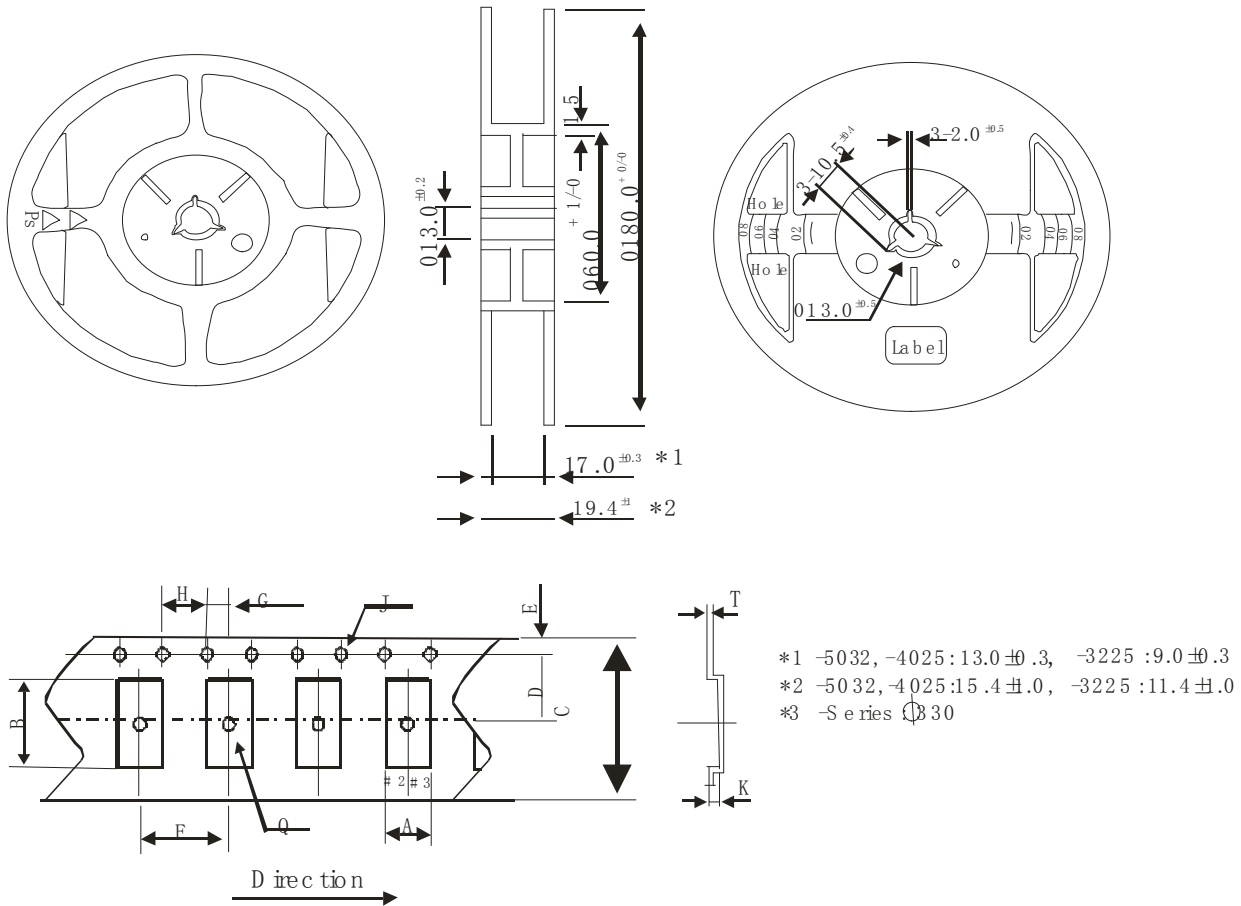
### 4. Recommended Reflow profile



### 5. Reliability specifications

NO	Item	Condition	Standard
1.	Drop Test	Free drop from 75 cm height on a hard wooden board for 3 times. (Board is thickness more than 30 mm.)	Frequency change: ≤5ppm Rr as specification
2.	Mechanical Shock	Half sine wave, 1000G, 0.5mS, three times for all 3 directions	Frequency change: ≤5ppm Rr as specification
3.	Vibration	Frequency range:10~55hz Amplitude:1.52mm Sweep time:1mintutes perpendicular axes each test time:2Hrs	Frequency change: ≤5ppm Rr as specification
4.	Solderability	Temperature:245℃±5℃ Immersing depth:0.5mm minimum Immersion time:5±1sec. Flux:Rosin resin methyl alcohol solvent(1:4)	90% exhibit tin ok
5.	Resistance to soldering heat	Test temperature:260℃±5℃ Test time :10±1sec.	Frequency change: ≤10ppm Rr as specification
6.	High Temp & Humidity	85±3℃ & RH85%, 500±12 hours	Frequency change: ≤10ppm Rr as specification
7.	Low temperature storage	-40±3℃, 500±12 hours	Frequency change: ≤10ppm Rr as specification
8.	High temperature storage	+85±3℃, 500±12 hours	Frequency change: ≤10ppm Rr as specification
9.	Temperature cycling	-40±3℃/10min~+85±3℃/10min, 100cycles	Frequency change: ≤10ppm Rr as specification

## 6、Packaging standard

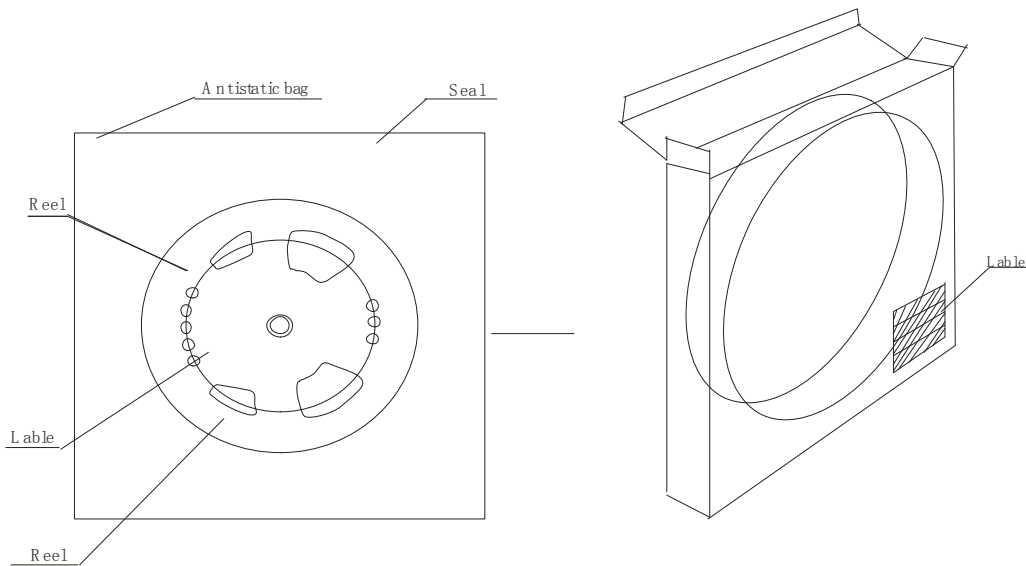


- Standard quantity of SMD -3225 : 3,000 pcs/reel
- Standard quantity of SN -Series : 4,000 pcs/reel
- Standard quantity of others : 1,000 pcs/reel
- Carrier tape : Antistatic material (PS)
- Each reel can be recycled

	SMD-7050 SN-7050	SMD-6032 SN-6032	SMD-5032	SMD -5032	SMD-4025	SMD-3225
A	$5.4 \pm 0.1$	$3.9 \pm 0.1$	$3.5 \pm 0.1$	$3.5 \pm 0.1$	$2.9 \pm 0.1$	$2.9 \pm 0.1$
B	$7.4 \pm 0.1$	$6.4 \pm 0.1$	$5.4 \pm 0.1$	$5.4 \pm 0.1$	$4.4 \pm 0.1$	$3.6 \pm 0.1$
C	$16.0 \pm 0.2$	$16.0 \pm 0.2$	$12.0 \pm 0.2$	$12.0 \pm 0.2$	$10.0 \pm 0.2$	$8.0 \pm 0.2$
D	$7.5 \pm 0.1$	$7.5 \pm 0.1$	$5.5 \pm 0.1$	$5.5 \pm 0.1$	$5.5 \pm 0.1$	$5.5 \pm 0.1$
E	$1.75 \pm 0.1$	$1.75 \pm 0.1$	$1.75 \pm 0.1$	$1.75 \pm 0.1$	$1.75 \pm 0.1$	$1.75 \pm 0.1$
F	$8.0 \pm 0.1$	$8.0 \pm 0.1$	$8.0 \pm 0.1$	$8.0 \pm 0.1$	$4.0 \pm 0.1$	$4.0 \pm 0.1$
G	$2.0 \pm 0.1$	$2.0 \pm 0.1$	$2.0 \pm 0.1$	$2.0 \pm 0.1$	$2.0 \pm 0.1$	$2.0 \pm 0.1$
H	$4.0 \pm 0.1$	$4.0 \pm 0.1$	$4.0 \pm 0.1$	$4.0 \pm 0.1$	$4.0 \pm 0.1$	$4.0 \pm 0.1$
J	$1.55 \pm 0.05$	$1.55 \pm 0.05$	$1.5 \pm 0.1/0$	$1.5 \pm 0.1/0$	$1.5 \pm 0.1/0$	$1.5 \pm 0.1/0$
K	$1.4 \pm 0.1$	$1.5 \pm 0.1$	$1.0 \pm 0.1$	$1.5 \pm 0.1$	$0.9 \pm 0.1$	$0.9 \pm 0.1$
Q	$1.6 \pm 0.1/0$	$1.55 \pm 0.05$	$1.6 \pm 0.1$	$1.6 \pm 0.1$	$1.5 \pm 0.1/0$	$1.5 \pm 0.1/0$
T	$0.3 \pm 0.05$	$0.3 \pm 0.05$	$0.25 \pm 0.05$	$0.25 \pm 0.05$	$0.25 \pm 0.05s$	$0.25 \pm 0.05s$

Item		Empty Space
Tapa Leader	Cover Tape	Min.500mm
	Empty Pockets	Min.20 pockets
Tape Trailer	Cover Tape	Min.0mm
	Empty Pockets	Min.40mm

## 7. Inner carton



### 7-1. MARKING

- (1) Marking Labels are affixed to reel, inner carton and outer carton.
- (2) Each label contains the following information.
  - (a) Manufacture's name or symbol
  - (b) Parts name or type
  - (c) Frequency
  - (d) Quantity
  - (e) Reel number
  - (f) Manufacturer's code (EIAJ code)

### 7-2. QUANTITY

3000pcs/reel

### 7-3. STORAGE ENVIRONMENT

- ✧ Storage the reel at normal temperature and humidity
- ✧ Open the packing just before using
- ✧ Do not expose the sun
- ✧ Do not storage with some erosive chemicals
- ✧ Nothing is allowed to put on the reel or carton to prevent mechanical damage

### 7-4. HANDLING

- ✧ Handle with care to prevent the damage of tape, reel and products.