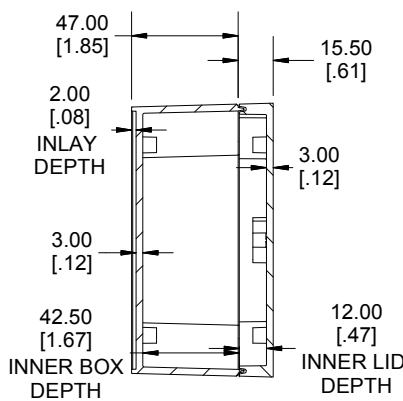
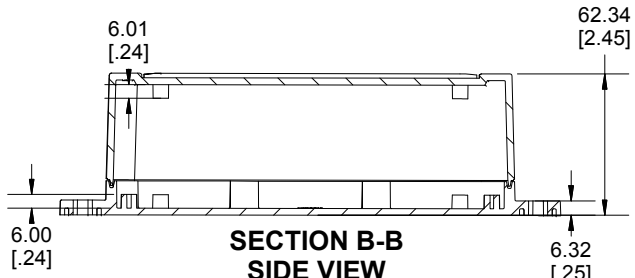


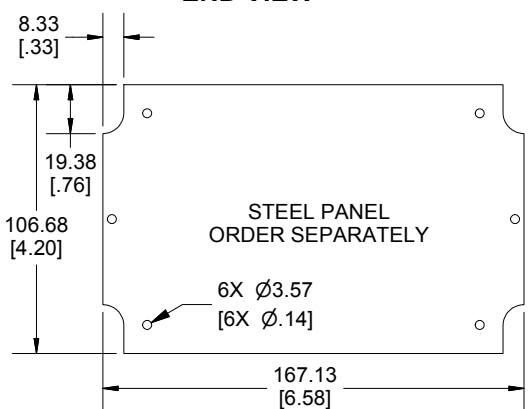
**ENCLOSURE ASSEMBLY TOP VIEW**



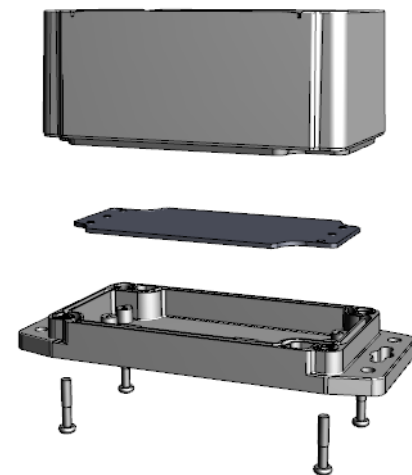
**SECTION A-A  
END VIEW**



**SECTION B-B  
SIDE VIEW**



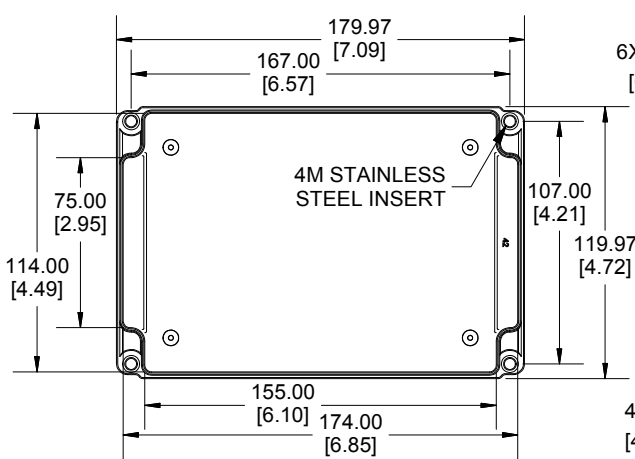
**STEEL PANEL  
ORDER SEPARATELY**



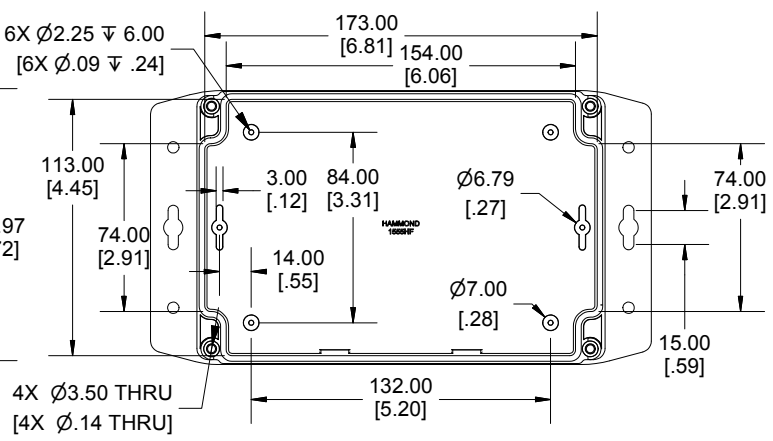
POLYCARBONATE  
VERSION ONLY  
**UL** US LISTED  
FILE #E65324  
NEMA 4, 4X

Enclosures can be Factory Modified ( Milling, Drilling, Printing etc.)  
Contact Factory [mjm@hammondmfg.com](mailto:mjm@hammondmfg.com) for quotes  
Solid models of this enclosure available in STEP or IGES.  
(Part number and text placement/orientation on our products are subject to change,  
we do not recommend using them as a locating reference for modification purposes)

**NOTE**  
Purchased assembly includes styled box, flanged lid, 4 cover screws, and preformed silicone gasket.  
General Purpose ABS version is not UL approved. (Matl UL94 - HB)  
Polycarbonate version is UL 508 approved. (Matl UL94 - 5VA @ 3mm)  
**Recommended Cover screw torque -- 2.5 lbf-in (30 cN-m)**



**INSIDE BOX VIEW**



**INSIDE LID VIEW**

Dimensions:  
mm  
[inches]

1555HF	
1555HF Regular Enclosure	
General Purpose ABS RAL-7035	1555HF42GY
Polycarbonate RAL-7035	1555H2F42GY
ACCESSORIES	
Steel Inner Panels	1555HFPL
Steel Panel / P.C. Board Self Tapping Screw [#4 X 1/4" (6.4mm) Plated]	1555TS100
Cover Screws (Pkg 4) [M4 X 20mm Stainless Steel]	SC1554

**HAMMOND  
MANUFACTURING®**  
**1555HF42**  
[www.hammondmfg.com](http://www.hammondmfg.com)