

January 16, 1998

TEL:805-498-2111 FAX:805-498-3804 WEB:http://www.semtech.com

### FAST RECOVERY, PCB MOUNTING, 1-PHASE FULL WAVE BRIDGE RECTIFIER ASSEMBLIES

- Low forward voltage drop
- Low reverse leakage current
- Subminiature design
- Three lead configurations
- Fast reverse recovery time

### QUICK REFERENCE DATA

- $V_R = 50V - 400V$
- $I_F = 3.0A$
- $I_R = 2.0 \mu A$
- $t_{rr} = 150nS$

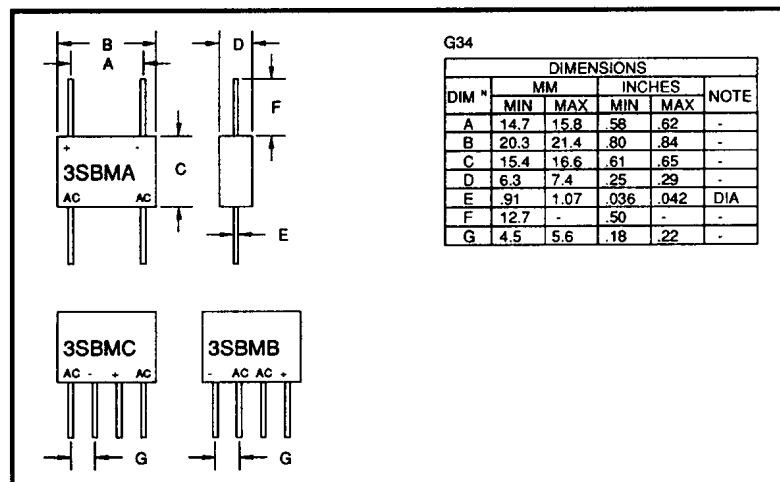
### ABSOLUTE MAXIMUM RATINGS & CHARACTERISTICS

Device Type	Working Reverse Voltage $V_{RWM}$	Average Rectified Current $I_{F(AV)}$		1 Cycle Surge Current $I_{FSM}$ $t_p = 8.3mS$	Repetitive Surge Current $I_{FRM}$	Reverse Leakage Current $I_R @ V_{RWM}$		Forward Voltage drop $V_F @ 3A/leg @ 25^\circ C$	Reverse Recovery Time $t_{rr}$
		@ 55°C	@ 100°C	@ 25°C	@ 25°C	@ 25°C	@ 100°C		
		Volts	Amps	Amps	Amps	Amps	$\mu A$	$\mu A$	Volts
3SBM*05F	50	3.0	1.5	150	25	2.0	40	1.1	150
3SBM*1F	100	3.0	1.5	150	25	2.0	40	1.1	150
3SBM*2F	200	3.0	1.5	150	25	2.0	40	1.1	150
3SBM*4F	400	3.0	1.5	150	25	2.0	40	1.1	150

\* Add A, B, C for desired circuit configuration (see Mechanical outline)

<sup>1</sup> Measured on discrete devices prior to assembly

### MECHANICAL



January 16, 1998

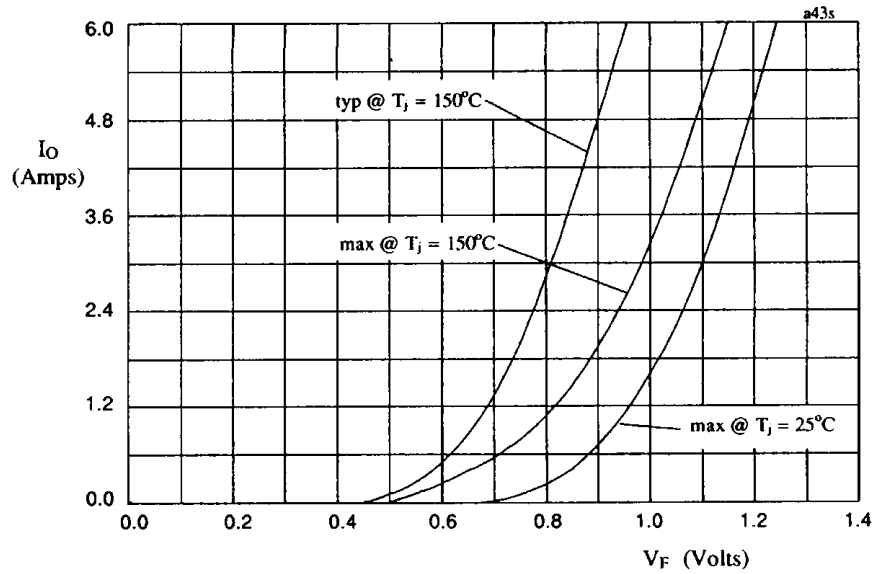


Fig 1. Forward voltage drop against output current per leg

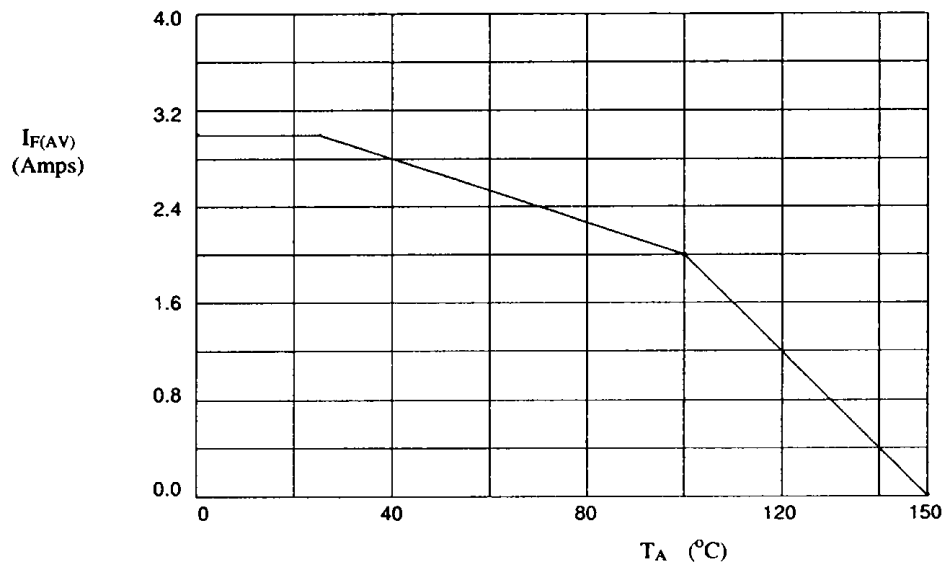


Fig 2. Maximum average forward current against ambient temperature.

# Mouser Electronics

Authorized Distributor

Click to View Pricing, Inventory, Delivery & Lifecycle Information:

[Semtech:](#)

[3SBMC1F](#) [3SBMB1F](#) [3SBMC4F](#) [3SBMB2F](#) [3SBMA2F](#) [3SBMB05F](#) [3SBMB6F](#) [3SBMB4F](#) [3SBMC2F](#)