



88E1111 Product Brief




Integrated 10/100/1000 Ultra
Gigabit Ethernet Transceiver

Doc. No. MV-S105540-00, Rev. A

October 10, 2013

Document Classification: Proprietary Information

Document Conventions

	<p>Note: Provides related information or information of special importance.</p>
	<p>Caution: Indicates potential damage to hardware or software, or loss of data.</p>
	<p>Warning: Indicates a risk of personal injury.</p>

Document Status

<p>Advance Information</p>	<p>This document contains design specifications for initial product development. Specifications may change without notice. Contact Marvell Field Application Engineers for more information.</p>
<p>Preliminary Information</p>	<p>This document contains preliminary data, and a revision of this document will be published at a later date. Specifications may change without notice. Contact Marvell Field Application Engineers for more information.</p>
<p>Final Information</p>	<p>This document contains specifications on a product that is in final release. Specifications may change without notice. Contact Marvell Field Application Engineers for more information.</p>
<p>Doc Status:</p>	<p>Technical Publications: 1.10</p>

For more information, visit our website at: www.marvell.com

No part of this document may be reproduced or transmitted in any form or by any means, electronic or mechanical, including photocopying and recording, for any purpose, without the express written permission of Marvell. Marvell retains the right to make changes to this document at any time, without notice. Marvell makes no warranty of any kind, expressed or implied, with regard to any information contained in this document, including, but not limited to, the implied warranties of merchantability or fitness for any particular purpose. Further, Marvell does not warrant the accuracy or completeness of the information, text, graphics, or other items contained within this document.

Marvell products are not designed for use in life-support equipment or applications that would cause a life-threatening situation if any such products failed. Do not use Marvell products in these types of equipment or applications.

With respect to the products described herein, the user or recipient, in the absence of appropriate U.S. government authorization, agrees:

- 1) Not to re-export or release any such information consisting of technology, software or source code controlled for national security reasons by the U.S. Export Control Regulations ("EAR"), to a national of EAR Country Groups D:1 or E:2;2) Not to export the direct product of such technology or such software, to EAR Country Groups D:1 or E:2, if such technology or software and direct products thereof are controlled for national security reasons by the EAR; and,
- 3) In the case of technology controlled for national security reasons under the EAR where the direct product of the technology is a complete plant or component of a plant, not to export to EAR Country Groups D:1 or E:2 the direct product of the plant or major component thereof, if such direct product is controlled for national security reasons by the EAR, or is subject to controls under the U.S. Munitions List ("USML").

At all times hereunder, the recipient of any such information agrees that they shall be deemed to have manually signed this document in connection with their receipt of any such information.

Copyright © 1999–2013. Marvell International Ltd. All rights reserved. Alaska, ARMADA, CarrierSpan, Kinoma, Link Street, LinkCrypt, Marvell logo, Marvell, Moving Forward Faster, PISC, Prestera, Qdeo (for chips), QDEO logo (for chips), QuietVideo, Virtual Cable Tester, Xelerated, and Yukon are registered trademarks of Marvell or its affiliates. Avanta, Avastar, DragonFly, HyperDuo, Kirkwood, Marvell Smart, Qdeo, QDEO logo, The World as YOU See It, Vmeta and Wirespeed by Design are trademarks of Marvell or its affiliates.

Patent(s) Pending—Products identified in this document may be covered by one or more Marvell patents and/or patent applications.



OVERVIEW

The Alaska[®] Ultra 88E1111 Gigabit Ethernet Transceiver is a physical layer device for Ethernet 1000BASE-T, 100BASE-TX, and 10BASE-T applications. It is manufactured using standard digital CMOS process and contains all the active circuitry required to implement the physical layer functions to transmit and receive data on standard CAT 5 unshielded twisted pair.

The 88E1111 device incorporates the Marvell Virtual Cable Tester[®] (VCT[™]) feature, which uses Time Domain Reflectometry (TDR) technology for the remote identification of potential cable malfunctions, thus reducing equipment returns and service calls. Using VCT, the Alaska 88E1111 device detects and reports potential cabling issues such as pair swaps, pair polarity and excessive pair skew. The device will also detect cable opens, shorts or any impedance mismatch in the cable and report accurately within one meter the distance to the fault.

The 88E1111 device supports the Gigabit Media Independent Interface (GMII), Reduced GMII (RGMII), Serial Gigabit Media Independent Interface (SGMII), the Ten-Bit Interface (TBI), and Reduced TBI (RTBI) for direct connection to a MAC/Switch port.

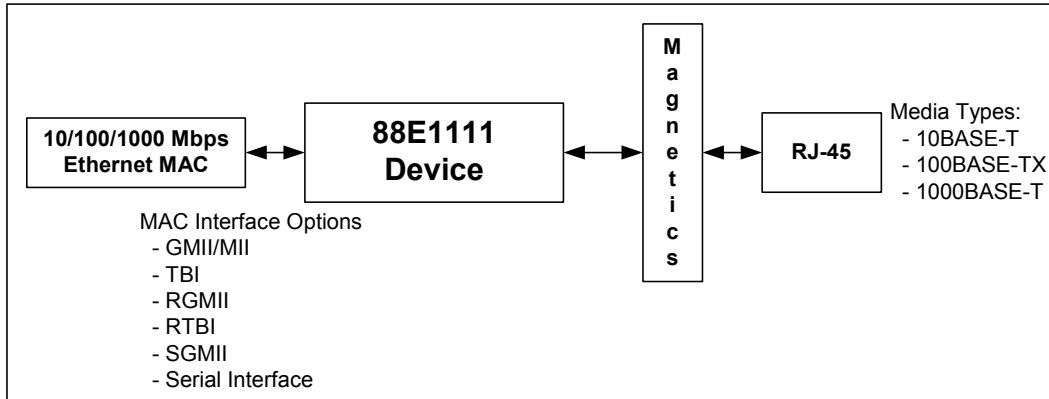
The 88E1111 device incorporates an optional 1.25 GHz SERDES (Serializer/Deserializer). The serial interface may be connected directly to a fiber-optic transceiver for 1000BASE-T/1000BASE-X media conversion applications. Additionally, the 88E1111 device may be used to implement 1000BASE-T Gigabit Interface Converter (GBIC) or Small Form Factor Pluggable (SFP) modules.

The 88E1111 device uses advanced mixed-signal processing to perform equalization, echo and crosstalk cancellation, data recovery, and error correction at a gigabit per second data rate. The device achieves robust performance in noisy environments with very low power dissipation.

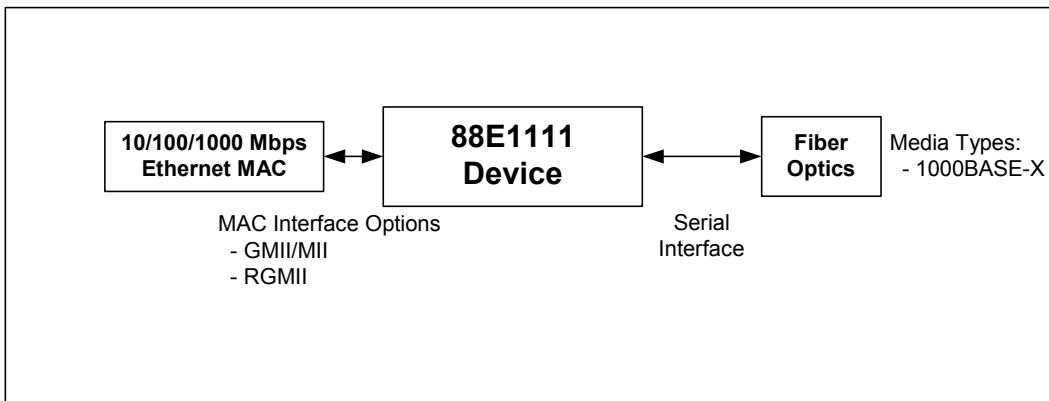
The 88E1111 device is offered in three different package options including a 117-Pin TFBGA, a 96-pin aQFN featuring a body size of only 9 x 9 mm, and a 128 PQFP package.

FEATURES

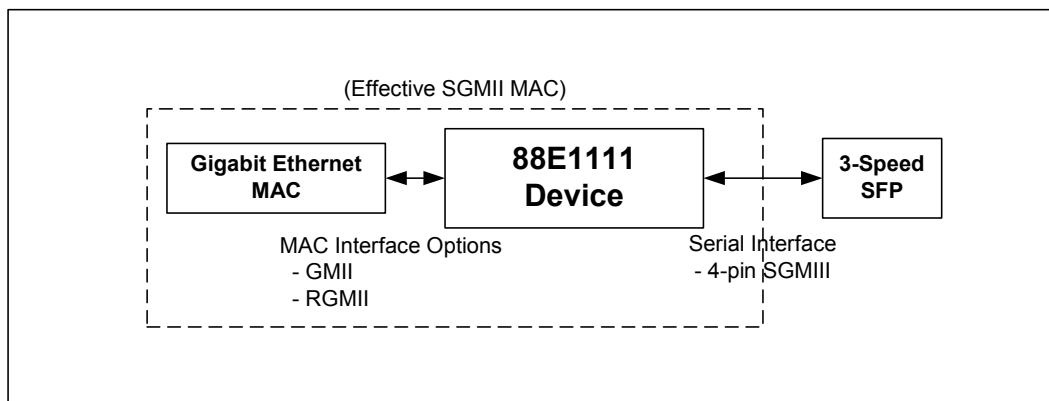
- 10/100/1000BASE-T IEEE 802.3 compliant
- Supports GMII, TBI, reduced pin count GMII (RGMII), reduced pin count TBI (RTBI), and serial GMII (SGMII) interfaces
- Integrated 1.25 GHz SERDES for 1000BASE-X fiber applications
- Four RGMII timing modes
- Energy Detect and Energy Detect+ low power modes
- Three loopback modes for diagnostics
- "Downshift" mode for two-pair cable installations
- Fully integrated digital adaptive equalizers, echo cancellers, and crosstalk cancellers
- Advanced digital baseline wander correction
- Automatic MDI/MDIX crossover at all speeds of operation
- Automatic polarity correction
- IEEE 802.3u compliant Auto-Negotiation
- Software programmable LED modes including LED testing
- Automatic detection of fiber or copper operation
- Supports IEEE 1149.1 JTAG
- Two-Wire Serial Interface (TWSI) and MDC/MDIO
- CRC checker, packet counter
- Packet generation
- Virtual Cable Tester (VCT)
- Auto-Calibration for MAC Interface outputs
- Requires only two supplies: 2.5V and 1.0V (with 1.2V option for the 1.0V supply)
- I/Os are 3.3V tolerant
- Low power dissipation $P_{ave} = 0.75W$
- 117-Pin TFBGA, 96-Pin aQFN, and 128 PQFP package options (NOTE: The 96-Pin BCC package is obsolete and is no longer available. The 96-Pin aQFN package is a pin compatible replacement for the 96-Pin BCC package. See Product Change Notification 1210066 and [Table 20](#) for details.)
- 117-Pin TFBGA and 96-Pin aQFN packages available in Commercial or Industrial grade
- RoHS 6/6 compliant packages available



88E1111 Device used in Copper Application



88E1111 Device used in Fiber Application



88E1111 RGMII/GMII MAC to SGMII MAC Conversion

Table of Contents

1.1	117-Pin TFBGA Package	6
1.2	96-Pin aQFN Package	7
1.3	128-Pin PQFP Package	9
1.4	Pin Description	10
1.4.1	Pin Type Definitions.....	10
1.5	I/O State at Various Test or Reset Modes	35
1.6	117-Pin TFBGA Pin Assignment List - Alphabetical by Signal Name	36
1.7	96-Pin aQFN Pin Assignment List - Alphabetical by Signal Name	38
1.8	128-Pin PQFP Pin Assignment List - Alphabetical by Signal Name	40
2.1	117-pin TFBGA Package	42
2.2	96-pin BCC Package - Top View - OBSOLETE - No Longer Available - Replaced by the 96-Pin aQFN Package	44
2.3	96-Pin BCC Package - Bottom View - OBSOLETE - No Longer Available - Replaced by the 96-Pin aQFN Package	45
2.4	96-pin aQFN Package - Top View	46
2.5	96-Pin aQFN Package - Bottom View	47
2.6	128-Pin PQFP Package	49
3.1	Ordering Part Numbers and Package Markings	50
3.1.1	RoHS 5/6 Compliant Marking Examples	51
3.1.2	RoHS 6/6 Compliant Marking Examples	53
3.1.3	Green Compliant Marking Examples	55

Section 1. Signal Description

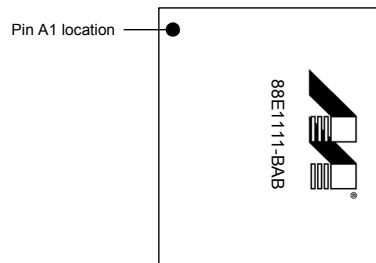
The 88E1111 device is a 10/100/1000BASE-T/1000BASE-X Gigabit Ethernet transceiver.

1.1 117-Pin TFBGA Package

Figure 1: 88E1111 Device 117-Pin TFBGA Package (Top View)

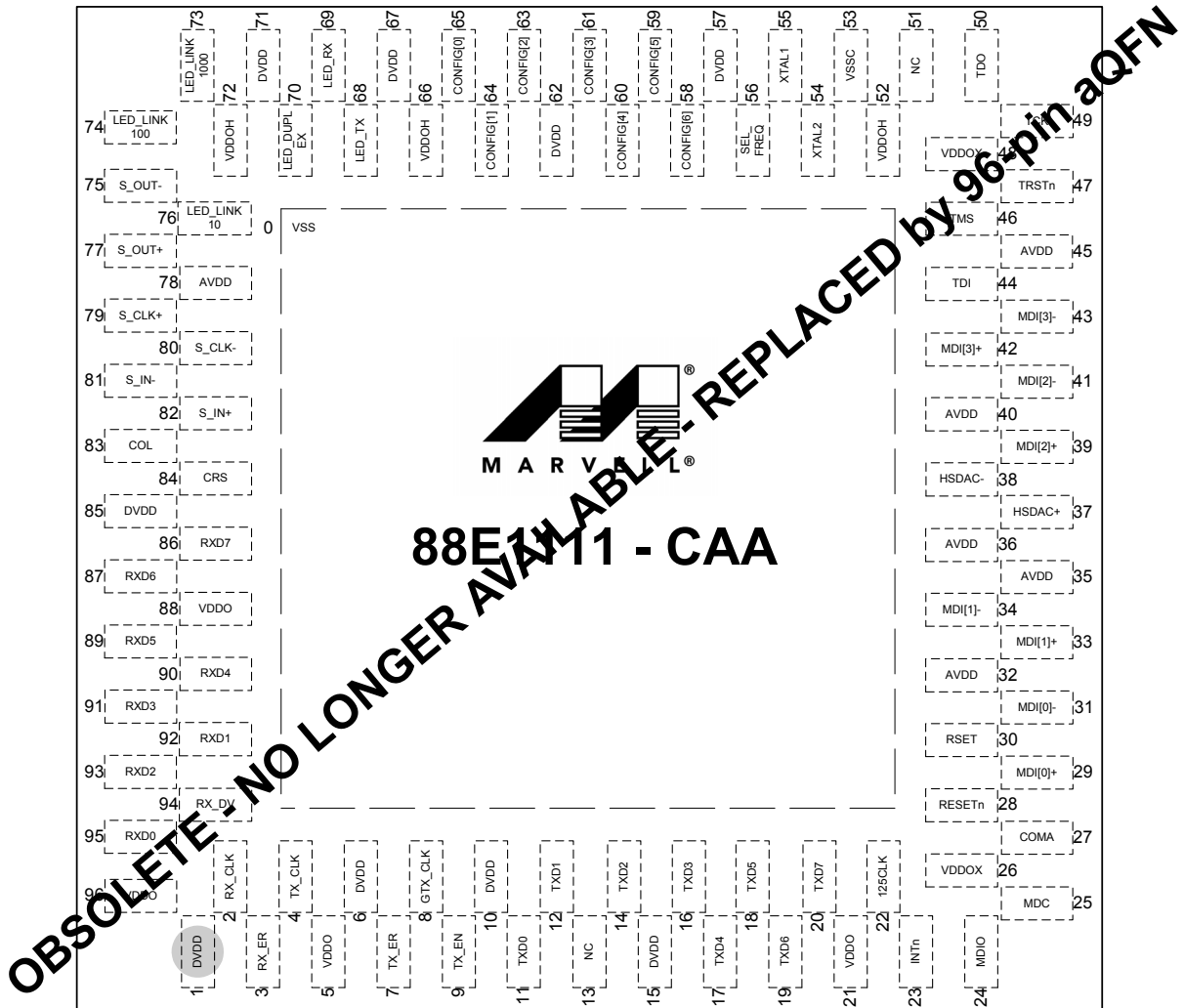
	1	2	3	4	5	6	7	8	9	
A	RXD5	RXD6	S_IN+	S_IN-	S_CLK+	S_CLK-	S_OUT+	S_OUT-	LED_LINK1000	A
B	RX_DV	RXD0	RXD3	VDDO	CRS	COL	AVDD	LED_LINK100	VDDOH	B
C	RX_CLK	VDDO	RXD2	RXD4	RXD7	DVDD	DVDD	LED_LINK10	LED_RX	C
D	TX_CLK	RX_ER	RXD1	VSS	VSS	VSS	DVDD	CONFIG[0]	LED_TX	D
E	TX_EN	GTX_CLK	DVDD	VSS	VSS	VSS	DVDD	LED_DUPLEX	CONFIG[1]	E
F	TXD0	TX_ER	DVDD	VSS	VSS	VSS	VDDOH	CONFIG[2]	CONFIG[4]	F
G	NC	TXD1	TXD2	VSS	VSS	VSS	CONFIG[3]	CONFIG[6]	CONFIG[5]	G
H	TXD4	TXD3	TXD5	VSS	VSS	VSS	VSSC	SEL_FREQ	XTAL1	H
J	TXD6	TXD7	DVDD	VSS	VSS	VSS	DVDD	VDDOH	XTAL2	J
K	VDDO	125CLK	RESETn	VSS	VSS	VSS	NC	TDO	VDDOX	K
L	INTn	VDDOX	MDC	COMA	VSS	VSS	TDI	TMS	TCK	L
M	MDIO	RSET	AVDD	AVDD	HSDAC+	HSDAC-	AVDD	AVDD	TRSTn	M
N	MDI[0]+	MDI[0]-	MDI[1]+	MDI[1]-	AVDD	MDI[2]+	MDI[2]-	MDI[3]+	MDI[3]-	N
	1	2	3	4	5	6	7	8	9	

Figure 2: Pin A1 Location



1.2 96-Pin aQFN Package

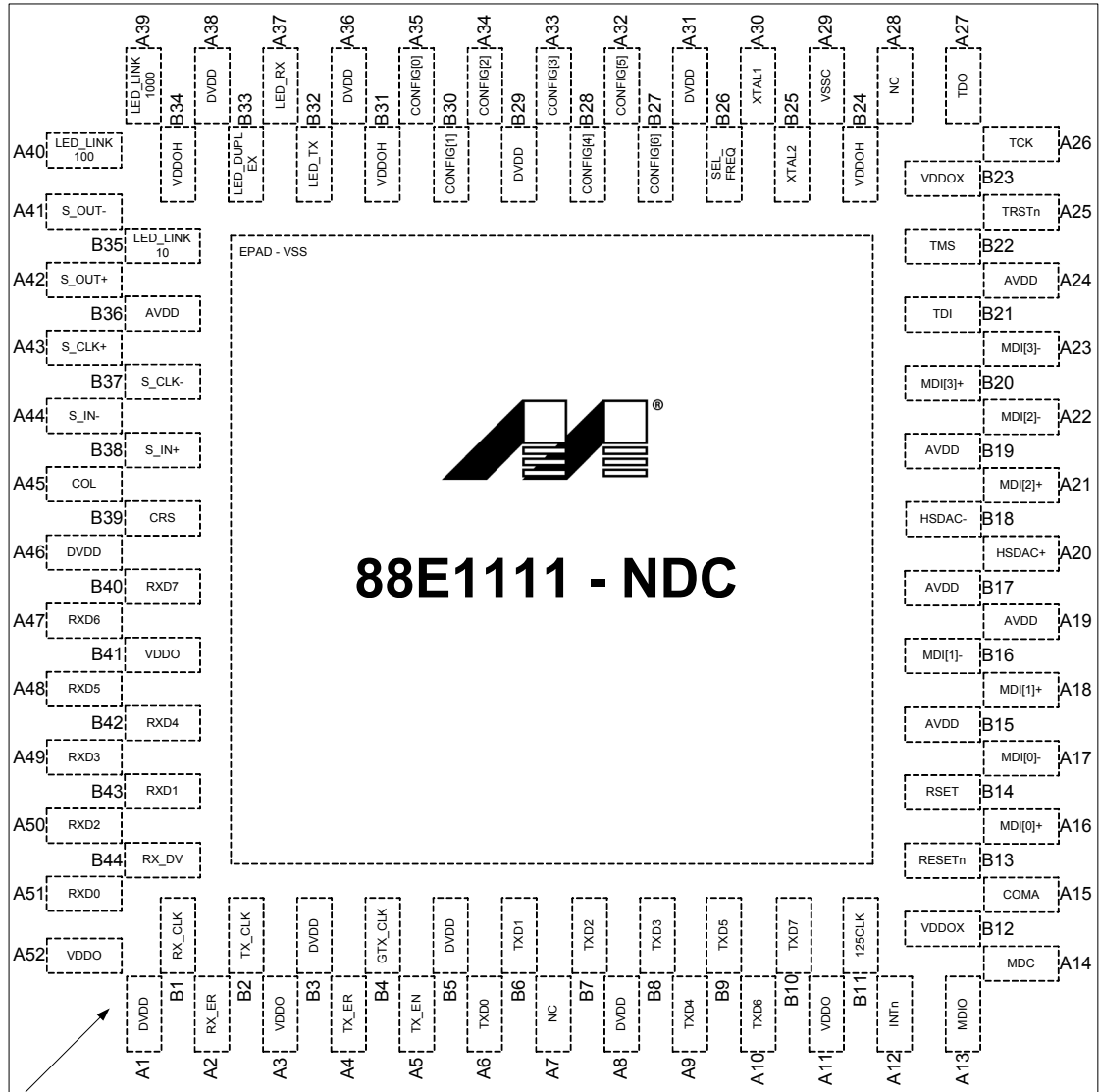
Figure 3: 88E1111 Device 96-Pin BCC Package (Top View) - (OBSOLETE - No Longer Available - Replaced by 96-Pin aQFN Package)



Note

The 96-Pin aQFN package is a pin compatible replacement for the 96-Pin BCC package. See Product Change Notification 1210066 and [Table 20](#) for details.

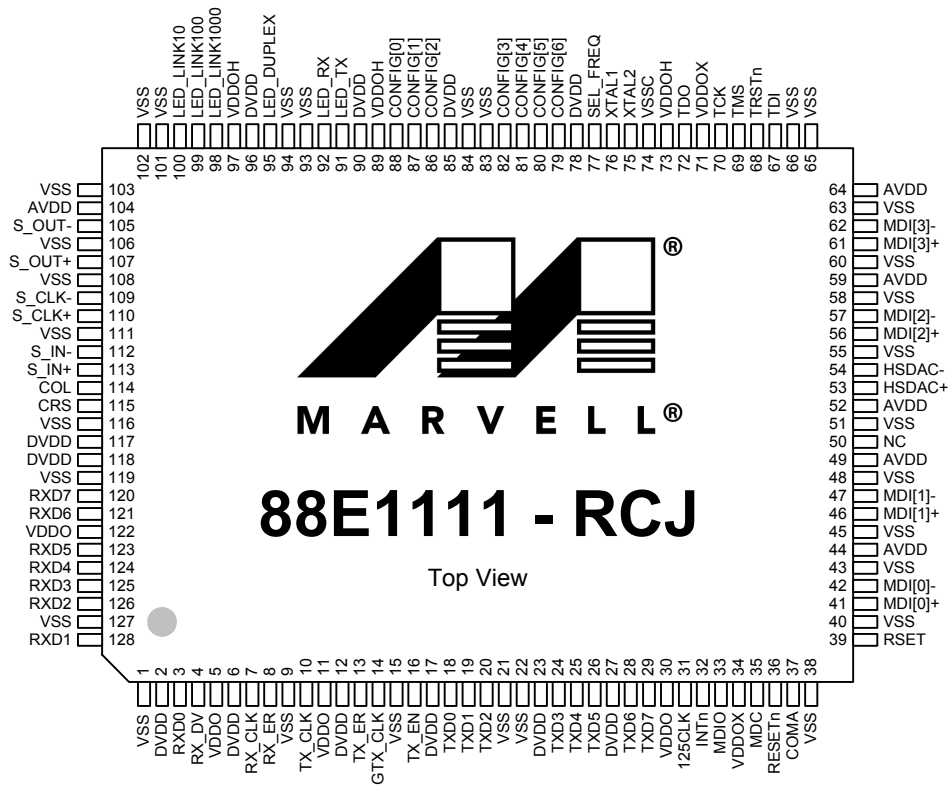
Figure 4: 88E1111 Device 96-Pin aQFN Package (Top View)



Pin 1 Corner

1.3 128-Pin PQFP Package

Figure 5: 88E1111 Device 128-Pin PQFP Package (Top View)





1.4 Pin Description

1.4.1 Pin Type Definitions

Pin Type	Definition
H	Input with hysteresis
I/O	Input and output
I	Input only
O	Output only
PU	Internal pull up
PD	Internal pull down
D	Open drain output
Z	Tri-state output
mA	DC sink capability

Table 1: Media Dependent Interface

117-TFBGA Pin #	96-aQFN Pin #	128-PQFP Pin #	Pin Name	Pin Type	Description
N1 N2	A16 A17	41 42	MDI[0]+ MDI[0]-	I/O, D	<p>Media Dependent Interface[0].</p> <p>In 1000BASE-T mode in MDI configuration, MDI[0]± correspond to BI_DA±. In MDIX configuration, MDI[0]± correspond to BI_DB±.</p> <p>In 100BASE-TX and 10BASE-T modes in MDI configuration, MDI[0]± are used for the transmit pair. In MDIX configuration, MDI[0]± are used for the receive pair.</p> <p>MDI[0]± should be tied to ground if not used.</p>
N3 N4	A18 B16	46 47	MDI[1]+ MDI[1]-	I/O, D	<p>Media Dependent Interface[1].</p> <p>In 1000BASE-T mode in MDI configuration, MDI[1]± correspond to BI_DB±. In MDIX configuration, MDI[1]± correspond to BI_DA±.</p> <p>In 100BASE-TX and 10BASE-T modes in MDI configuration, MDI[1]± are used for the receive pair. In MDIX configuration, MDI[1]± are used for the transmit pair.</p> <p>MDI[1]± should be tied to ground if not used.</p>



Table 1: Media Dependent Interface (Continued)

117-TFBGA Pin #	96-aQFN Pin #	128-PQFP Pin #	Pin Name	Pin Type	Description
N6 N7	A21 A22	56 57	MDI[2] MDI[2]-	I/O, D	Media Dependent Interface[2]. In 1000BASE-T mode in MDI configuration, MDI[2] \pm correspond to BI_DC \pm . In MDIX configuration, MDI[2] \pm corresponds to BI_DD \pm . In 100BASE-TX and 10BASE-T modes, MDI[2] \pm are not used. MDI[2] \pm should be tied to ground if not used.
N8 N9	B20 A23	61 62	MDI[3] MDI[3]-	I/O, D	Media Dependent Interface[3]. In 1000BASE-T mode in MDI configuration, MDI[3] \pm correspond to BI_DD \pm . In MDIX configuration, MDI[3] \pm correspond to BI_DC \pm . In 100BASE-TX and 10BASE-T modes, MDI[3] \pm are not used. MDI[3] \pm should be tied to ground if not used.

The GMII interface supports both 1000BASE-T and 1000BASE-X modes of operation. The GMII interface pins are also used for the TBI interface. See [Table 3](#) for TBI pin definitions. The MAC interface pins are 3.3V tolerant.

Table 2: GMII/MII Interfaces

117-TFBGA Pin #	96-aQFN Pin #	128-PQFP Pin #	Pin Name	Pin Type	Description
E2	B4	14	GTX_CLK	I	GMII Transmit Clock. GTX_CLK provides a 125 MHz clock reference for TX_EN, TX_ER, and TXD[7:0]. This clock can be stopped when the device is in 10/100BASE-T modes, and also during Auto-Negotiation.
D1	B2	10	TX_CLK	O, Z	MII Transmit Clock. TX_CLK provides a 25 MHz clock reference for TX_EN, TX_ER, and TXD[3:0] in 100BASE-TX mode, and a 2.5 MHz clock reference in 10BASE-T mode. TX_CLK provides a 25 MHz, 2.5 MHz, or 0 MHz clock during 1000 Mbps Good Link, Auto-Negotiation, and Link Lost states depending on the setting of register 20.6:4. The 2.5 MHz clock is the default rate, which may be programmed to another frequency by writing to register 20.6:4.
E1	A5	16	TX_EN	I	GMII and MII Transmit Enable. In GMII/MII mode when TX_EN is asserted, data on TXD[7:0] along with TX_ER is encoded and transmitted onto the cable. TX_EN is synchronous to GTX_CLK, and synchronous to TX_CLK in 100BASE-TX and 10BASE-T modes.
F2	A4	13	TX_ER	I	GMII and MII Transmit Error. In GMII/MII mode when TX_ER and TX_EN are both asserted, the transmit error symbol is transmitted onto the cable. When TX_ER is asserted with TX_EN de-asserted, carrier extension symbol is transmitted onto the cable. TX_ER is synchronous to GTX_CLK, and synchronous to TX_CLK in 100BASE-TX and 10BASE-T modes.



Table 2: GMII/MII Interfaces (Continued)

117-TFBGA Pin #	96-aQFN Pin #	128-PQFP Pin #	Pin Name	Pin Type	Description
J2 J1 H3 H1 H2 G3 G2 F1	B10 A10 B9 A9 B8 B7 B6 A6	29 28 26 25 24 20 19 18	TXD[7] TXD[6] TXD[5] TXD[4] TXD[3]/TXD[3] TXD[2]/TXD[2] TXD[1]/TXD[1] TXD[0]/TXD[0]	I	<p>GMII and MII Transmit Data. In GMII mode, TXD[7:0] present the data byte to be transmitted onto the cable in 1000BASE-T mode.</p> <p>In MII mode, TXD[3:0] present the data nibble to be transmitted onto the cable in 100BASE-TX and 10BASE-T modes. TXD[7:4] are ignored in these modes, but should be driven either high or low. These pins must not float.</p> <p>TXD[7:0] are synchronous to GTX_CLK, and synchronous to TX_CLK in 100BASE-TX and 10BASE-T modes.</p> <p>Inputs TXD[7:4] should be tied low if not used (e.g., RGMII mode).</p>
C1	B1	7	RX_CLK	O, Z	<p>GMII and MII Receive Clock. RX_CLK provides a 125 MHz clock reference for RX_DV, RX_ER, and RXD[7:0] in 1000BASE-T mode, a 25 MHz clock reference in 100BASE-TX mode, and a 2.5 MHz clock reference in 10BASE-T mode.</p> <p>TX_TCLK comes from the RX_CLK pins used in jitter testing. Refer to Register 9 for jitter test modes.</p>
B1	B44	4	RX_DV	O, Z	<p>GMII and MII Receive Data Valid. When RX_DV is asserted, data received on the cable is decoded and presented on RXD[7:0] and RX_ER.</p> <p>RX_DV is synchronous to RX_CLK.</p>
D2	A2	8	RX_ER	O, Z	<p>GMII and MII Receive Error. When RX_ER and RX_DV are both asserted, the signals indicate an error symbol is detected on the cable.</p> <p>When RX_ER is asserted with RX_DV deasserted, a false carrier or carrier extension symbol is detected on the cable.</p> <p>RX_ER is synchronous to RX_CLK.</p>

Table 2: GMII/MII Interfaces (Continued)

117-TFBGA Pin #	96-aQFN Pin #	128-PQFP Pin #	Pin Name	Pin Type	Description
C5 A2 A1 C4 B3 C3 D3 B2	B40 A47 A48 B42 A49 A50 B43 A51	120 121 123 124 125 126 128 3	RXD[7] RXD[6] RXD[5] RXD[4] RXD[3]/RXD[3] RXD[2]/RXD[2] RXD[1]/RXD[1] RXD[0]/RXD[0]	O, Z	<p>GMII and MII Receive Data. Symbols received on the cable are decoded and presented on RXD[7:0] in 1000BASE-T mode.</p> <p>In MII mode, RXD[3:0] are used in 100BASE-TX and 10BASE-T modes. In MII mode, RXD[7:4] are driven low.</p> <p>RXD[7:0] is synchronous to RX_CLK.</p>
B5	B39	115	CRS	O, Z	<p>GMII and MII Carrier Sense. CRS asserts when the receive medium is non-idle. In half-duplex mode, CRS is also asserted during transmission. CRS assertion during half-duplex transmit can be disabled by programming register 16.11 to 0.</p> <p>CRS is asynchronous to RX_CLK, GTX_CLK, and TX_CLK.</p>
B6	A45	114	COL	O, Z	<p>GMII and MII Collision. In 10/100/1000BASE-T full-duplex modes, COL is always low. In 10/100/1000BASE-T half-duplex modes, COL asserts only when both the transmit and receive media are non-idle.</p> <p>In 10BASE-T half-duplex mode, COL is asserted to indicate signal quality error (SQE). SQE can be disabled by clearing register 16.2 to zero.</p> <p>COL is asynchronous to RX_CLK, GTX_CLK, and TX_CLK.</p>



The TBI interface supports 100BASE-T mode of operation. The TBI interface uses the same pins as the GMII interface. The MAC interface pins are 3.3V tolerant.

Table 3: TBI Interface

117-TFBGA Pin #	96-aQFN Pin #	128-PQFP Pin #	Pin Name	Pin Type	Description
E2	B4	14	GTX_CLK/ TBI_TXCLK	I	TBI Transmit Clock. In TBI mode, GTX_CLK is used as TBI_TXCLK. TBI_TXCLK is a 125 MHz transmit clock. TBI_TXCLK provides a 125 MHz clock reference for TX_EN, TX_ER, and TXD[7:0].
D1	B2	10	TX_CLK/RCLK1	O, Z	TBI 62.5 MHz Receive Clock- even code group. In TBI mode, TX_CLK is used as RCLK1.
J2 J1 H3 H1 H2 G3 G2 F1	B10 A10 B9 A9 B8 B7 B6 A6	29 28 26 25 24 20 19 18	TXD[7] TXD[6] TXD[5] TXD[4] TXD[3] TXD[2] TXD[1] TXD[0]	I	TBI Transmit Data. TXD[7:0] presents the data byte to be transmitted onto the cable. TXD[9:0] are synchronous to GTX_CLK. Inputs TXD[7:4] should be tied low if not used (e.g., RTBI mode).
E1	A5	16	TX_EN/ TXD8	I	TBI Transmit Data. In TBI mode, TX_EN is used as TXD8. TXD[9:0] are synchronous to GTX_CLK.
F2	A4	13	TX_ER/ TXD9	I	TBI Transmit Data. In TBI mode, TX_ER is used as TXD9. TXD[9:0] are synchronous to GTX_CLK. TX_ER should be tied low if not used (e.g., RTBI mode).
C1	B1	7	RX_CLK/ RCLK0	O, Z	TBI 62.5 MHz Receive Clock- odd code group. In the TBI mode, RX_CLK is used as RCLK0.
C5 A2 A1 C4 B3 C3 D3 B2	B40 A47 A48 B42 A49 A50 B43 A51	120 121 123 124 125 126 128 3	RXD[7] RXD[6] RXD[5] RXD[4] RXD[3] RXD[2] RXD[1] RXD[0]	O, Z	TBI Receive Data code group [7:0]. In the TBI mode, RXD[7:0] present the data byte to be transmitted to the MAC. Symbols received on the cable are decoded and presented on RXD[7:0]. RXD[7:0] are synchronous to RCLK0 and RCLK1.
B1	B44	4	RX_DV/ RXD8	O, Z	TBI Receive Data code group bit 8. In the TBI mode, RX_DV is used as RXD8. RXD[9:0] are synchronous to RCLK0 and RCLK1.

Table 3: TBI Interface (Continued)

117-TFBGA Pin #	96-aQFN Pin #	128-PQFP Pin #	Pin Name	Pin Type	Description
D2	A2	8	RX_ER/ RXD9	O, Z	TBI Receive Data code group bit 9. In the TBI mode, RX_ER is used as RXD9. RXD[9:0] are synchronous to RCLK0 and RCLK1.
B5	B39	115	CRS/ COMMA	O, Z	TBI Valid Comma Detect. In the TBI mode, CRS is used as COMMA.
B6	A45	114	COL/LPBK	I	TBI Mode Loopback. In the TBI mode, COL is used to indicate loopback on the TBI. When a "0 - 1" transition is sampled on this pin, bit 0.14 is set to 1. When a "1 - 0" is sampled on this pin, bit 0.14 is reset to 0. If this feature is not used, the COL pin should be driven low on the board. This pin should not be left floating in TBI mode.



The RGMII interface supports 10/100/1000BASE-T and 1000BASE-X modes of operation. The RGMII interface pins are also used for the RTBI interface. See [Table 5](#) for RTBI pin definitions. The MAC interface pins are 3.3V tolerant.

Table 4: RGMII Interface

117-TFBGA Pin #	96-aQFN Pin #	128-PQFP Pin #	Pin Name	Pin Type	Description
E2	B4	14	GTX_CLK/ TXC	I	RGMII Transmit Clock provides a 125 MHz, 25 MHz, or 2.5 MHz reference clock with \pm 50 ppm tolerance depending on speed. In RGMII mode, GTX_CLK is used as TXC.
H2 G3 G2 F1	B8 B7 B6 A6	24 20 19 18	TXD[3]/TD[3] TXD[2]/TD[2] TXD[1]/TD[1] TXD[0]/TD[0]	I	RGMII Transmit Data. In RGMII mode, TXD[3:0] are used as TD[3:0]. In RGMII mode, TXD[3:0] run at double data rate with bits [3:0] presented on the rising edge of GTX_CLK, and bits [7:4] presented on the falling edge of GTX_CLK. In this mode, TXD[7:4] are ignored. In RGMII 10/100BASE-T modes, the transmit data nibble is presented on TXD[3:0] on the rising edge of GTX_CLK.
E1	A5	16	TX_EN/ TX_CTL	I	RGMII Transmit Control. In RGMII mode, TX_EN is used as TX_CTL. TX_EN is presented on the rising edge of GTX_CLK. A logical derivative of TX_EN and TX_ER is presented on the falling edge of GTX_CLK.
C1	B1	7	RX_CLK/ RXC	O, Z	RGMII Receive Clock provides a 125 MHz, 25 MHz, or 2.5 MHz reference clock with \pm 50 ppm tolerance derived from the received data stream depending on speed. In RGMII mode, RX_CLK is used as RXC.

Table 4: RGMII Interface (Continued)

117-TFBGA Pin #	96-aQFN Pin #	128-PQFP Pin #	Pin Name	Pin Type	Description
B1	B44	4	RX_DV/ RX_CTL	O, Z	RGMII Receive Control. In RGMII mode, RX_DV is used as RX_CTL. RX_DV is presented on the rising edge of RX_CLK. A logical derivative of RX_DV and RX_ER is presented on the falling edge of RX_CLK.
B3 C3 D3 B2	A49 A50 B43 A51	125 126 128 3	RXD[3]/RD[3] RXD[2]/RD[2] RXD[1]/RD[1] RXD[0]/RD[0]	O, Z	RGMII Receive Data. In RGMII mode, RXD[3:0] are used as RD[3:0]. In RGMII mode, RXD[3:0] run at double data rate with bits [3:0] presented on the rising edge of RX_CLK, and bits [7:4] presented on the falling edge of RX_CLK. In this mode, RXD[7:4] are ignored. In RGMII 10/100BASE-T modes, the receive data nibble is presented on RXD[3:0] on the rising edge of RX_CLK. RXD[3:0] are synchronous to RX_CLK.



The RTBI interface supports 1000BASE-T mode of operation. The RTBI interface uses the same pins as the RGMII interface. The MAC interface pins are 3.3V tolerant.

Table 5: RTBI Interface

117-TFBGA Pin #	96-aQFN Pin #	128-PQFP Pin #	Pin Name	Pin Type	Description
E2	B4	14	GTX_CLK/ TXC	I	RGMII Transmit Clock provides a 125 MHz reference clock with ± 50 ppm tolerance. In RTBI mode, GTX_CLK is used as TXC.
H2 G3 G2 F1	B8 B7 B6 A6	24 20 19 18	TXD[3]/TD[3] TXD[2]/TD[2] TXD[1]/TD[1] TXD[0]/TD[0]	I	RTBI Transmit Data. In RTBI mode, TXD[3:0] are used as TD[3:0]. TD[3:0] run at double data rate with bits [3:0] presented on the rising edge of GTX_CLK, and bits [8:5] presented on the falling edge of GTX_CLK. In this mode, TXD[7:4] are ignored.
E1	A5	16	TX_EN/ TD4_TD9	I	RTBI Transmit Data. In RTBI mode, TX_EN is used as TD4_TD9. TD4_TD9 runs at a double data rate with bit 4 presented on the rising edge of GTX_CLK, and bit 9 presented on the falling edge of GTX_CLK.
C1	B1	7	RX_CLK/ RXC	O, Z	RTBI Receive Clock provides a 125 MHz reference clock with ± 50 ppm tolerance derived from the received data stream. In RTBI mode, RX_CLK is used as RXC.
B3 C3 D3 B2	91 A50 B43 A51	125 126 128 3	RXD[3]/RD[3] RXD[2]/RD[2] RXD[1]/RD[1] RXD[0]/RD[0]	O, Z	RTBI Receive Data. In RTBI mode, RXD[3:0] are used as RD[3:0]. RD[3:0] runs at double data rate with bits [3:0] presented on the rising edge of RX_CLK, and bits [8:5] presented on the falling edge of RX_CLK. In this mode, RXD[7:4] are ignored.
B1	B44	4	RX_DV/ RD4_RD9	O, Z	RTBI Receive Data. In RTBI mode, RX_DV is used as RD4_RD9. RD4_RD9 runs at a double data rate with bit 4 presented on the rising edge of RX_CLK, and bit 9 presented on the falling edge of RX_CLK.

Table 6: SGMII Interface

117-TFBGA Pin #	96-aQFN Pin #	128-PQFP Pin #	Pin Name	Pin Type	Description
A3 A4	B38 A44	113 112	S_IN+ S_IN-	I	SGMII Transmit Data. 1.25 GBaud input - Positive and Negative. Input impedance on the S_IN± pins may be programmed for 50 ohm or 75 ohm impedance by setting register 26.6. The input impedance default setting is determined by the 75/50 OHM configuration pin.
A5 A6	A43 B37	110 109	S_CLK+ S_CLK-	I/O	SGMII 625 MHz Receive Clock. For Serial Interface modes (HWCFG_MODE[3:0] = 1x00) the S_CLK± pins become Signal Detect± (SD±) inputs.
A7 A8	A42 A41	107 105	S_OUT+ S_OUT-	O, Z	SGMII Receive Data. 1.25 GBaud output - Positive and Negative. Output impedance on the S_OUT± pins may be programmed for 50 ohm or 75 ohm impedance by setting register 26.5. Output amplitude can be adjusted via register 26.2:0. The output impedance default setting is determined by the 75/50 OHM configuration pin.

Table 7: 1.25 GHz Serial High Speed Interface

117-TFBGA Pin #	96-aQFN Pin #	128-PQFP Pin #	Pin Name	Pin Type	Description
A3 A4	B38 A44	113 112	S_IN+ S_IN-	I	<p>1.25 GHz input - Positive and Negative. When this interface is used as a MAC interface, the MAC transmitter's positive output connects to the S_IN+. The MAC transmitter's negative output connects to the S_IN-.</p> <p>When this interface is used as a fiber interface, the fiber-optic transceiver's positive output connects to the S_IN+. The fiber-optic transceiver's negative output connects to the S_IN-.</p> <p>Input impedance on the S_IN± pins may be programmed for 50 ohm or 75 ohm impedance by setting register 26.6. The input impedance default setting is determined by the 75/50 OHM configuration pin.</p>
A5 A6	A43 B37	110 109	S_CLK+/SD+ S_CLK-/SD-	I	<p>Signal Detect input.</p> <p>For Serial Interface modes the S_CLK± pins become Signal Detect± (SD±) inputs.</p>
A7 A8	A42 A41	107 105	S_OUT+ S_OUT-	O, Z	<p>1.25 GHz output – Positive and Negative. When this interface is used as a MAC interface, S_OUT+ connects to the MAC receiver's positive input. S_OUT- connects to the MAC receiver's negative input.</p> <p>When this interface is used as a fiber interface, S_OUT+ connects to the fiber-optic transceiver's positive input. S_OUT- connects to the fiber-optic transceiver's negative input.</p> <p>Output impedance on the S_OUT± pins may be programmed for 50 ohm or 75 ohm impedance by setting register 26.5. Output amplitude can be adjusted via register 26.2:0. The output impedance default setting is determined by the 75/50 OHM configuration pin.</p>

Table 7: 1.25 GHz Serial High Speed Interface (Continued)

117-TFBGA Pin #	96-aQFN Pin #	128-PQFP Pin #	Pin Name	Pin Type	Description
B3	A49	125	RXD[3]	O, Z	Serial MAC interface Copper Link Status[1] connection. 1 = Copper link up 0 = Copper link down
C3	A50	126	RXD[2]	O, Z	Serial MAC interface Copper Link Status[0] connection. 1 = Copper link down 0 = Copper link up
D3	B43	128	RXD[1]	O, Z	Serial MAC interface PHY_SIGDET[1] connection. 1 = S_OUT± valid code groups according to clause 36. 0 = S_OUT± invalid
B2	A51	3	RXD[0]	O, Z	Serial MAC interface PHY_SIGDET[0] connection. 1 = S_OUT± invalid 0 = S_OUT± valid code groups according to clause 36



Table 8: Management Interface and Interrupt

117-TFBGA Pin #	96-aQFN Pin #	128-PQFP Pin #	Pin Name	Pin Type	Description
L3	A14	35	MDC	I 3.3V Tolerant	MDC is the management data clock reference for the serial management interface. A continuous clock stream is not expected. The maximum frequency supported is 8.3 MHz.
M1	A13	33	MDIO	I/O 3.3V Tolerant	MDIO is the management data. MDIO transfers management data in and out of the device synchronously to MDC. This pin requires a pull-up resistor in a range from 1.5 kohm to 10 kohm.
L1	A12	32	INTn	D	The polarity of the INTn pin may be programmed at hardware reset by setting the INT_POL bit. Polarity: 0 = Active High 1 = Active Low

Table 9: Two-Wire Serial Interface

117-TFBGA Pin #	96-aQFN Pin #	128-PQFP Pin #	Pin Name	Pin Type	Description
L3	A14	35	MDC/SCL	I	Two-Wire Serial Interface (TWSI) serial clock line. When the 88E1111 device is connected to the bus, MDC connects to the serial clock line (SCL). Data is input on the rising edge of SCL, and output on the falling edge.
M1	A13	33	MDIO/SDA	I/O	TWSI serial data line. When the 88E1111 device is connected to the bus, MDIO connects to the serial data line (SDA). This pin is open-drain and may be wire-ORed with any number of open-drain devices.

Table 10: LED Interface

117-TFBGA Pin #	96-aQFN Pin #	128-PQFP Pin #	Pin Name	Pin Type	Description
C8	B35	100	LED_LINK10	O, mA	<p>Parallel LED output for 10BASE-T link or speed. This active low LED pin may be programmed in direct drive or combined LED modes by programming register LED_LINK Control register 24.4:3.</p> <p>In direct drive LED mode, this pin indicates 10 Mbps link up or down.</p> <p>In combined LED mode, the output from LED_LINK10, LED_LINK100, and LED_LINK1000 must be read together to determine link and speed status.</p> <p>LED_LINK10 is a multi-function pin used to configure the 88E1111 device at the de-assertion of hardware reset.</p>
B8	A40	99	LED_LINK100	O, mA	<p>Parallel LED output for 100BASE-TX link or speed. This active low LED pin may be programmed in direct drive or combined LED modes by programming register LED_LINK Control register 24.4:3.</p> <p>In direct drive LED mode, this pin indicates 100 Mbps link up or down.</p> <p>In combined LED mode, the output from LED_LINK10, LED_LINK100, and LED_LINK1000 must be read together to determine link and speed status.</p> <p>LED_LINK100 is a multi-function pin used to configure the 88E1111 device at the de-assertion of hardware reset.</p>



Table 10: LED Interface (Continued)

117-TFBGA Pin #	96-aQFN Pin #	128-PQFP Pin #	Pin Name	Pin Type	Description
A9	A39	98	LED_LINK1000	O, mA	<p>Parallel LED output for 1000BASE-T link/speed or link indicator. This active low LED pin may be programmed in direct drive or combined LED modes by programming register LED_LINK Control register 24.4:3.</p> <p>In direct drive LED mode, this pin indicates 1000 Mbps link up or down.</p> <p>In combined LED mode, the output from LED_LINK1000 indicates link status.</p> <p>LED_LINK1000 is a multi-function pin used to configure the 88E1111 device at the de-assertion of hardware reset.</p>
E8	B33	95	LED_DUPLEX	O, mA	<p>Parallel LED duplex or duplex/collision modes. The LED_DUPLEX pin may be programmed to Mode 1 or Mode 2 by setting register bit 24.2.</p> <p>Mode 1 Low = Full-duplex High = Half-duplex Blink = Collision</p> <p>Mode 2 Low = Full-duplex High = Half-duplex</p> <p>Mode 3 Low = Fiber Link up High = Fiber Link down</p> <p>LED_DUPLEX is a multi-function pin used to configure the 88E1111 device at the de-assertion of hardware reset.</p>

Table 10: LED Interface (Continued)

117-TFBGA Pin #	96-aQFN Pin #	128-PQFP Pin #	Pin Name	Pin Type	Description
C9	A37	92	LED_RX	O, mA	<p>Parallel LED Receive Activity or Receive Activity/Link modes. LED_RX may be programmed to Mode 1 or Mode 2 by setting register bit 24.1.</p> <p>Mode 1 Low = Receiving High = Not receiving</p> <p>Mode 2 Low = Link up High = Link down Blink = Receiving</p> <p>LED_RX is a multi-function pin used to configure the 88E1111 device at the de-assertion of hardware reset.</p>
D9	B32	91	LED_TX	O, mA	<p>Parallel LED Transmit Activity or RX/TX Activity/Link modes. LED_TX may be programmed to Mode 1 or Mode 2 by setting register bit 24.0.</p> <p>Mode 1 Low = Transmitting High = Not transmitting</p> <p>Mode 2 Low = Link up High = Link down Blink = Transmitting or receiving</p> <p>LED_TX is a multi-function pin used to configure the 88E1111 device at the de-assertion of hardware reset.</p>



Table 11: JTAG Interface

117-TFBGA Pin #	96-aQFN Pin #	128-PQFP Pin #	Pin Type	Pin Name	Description
L7	B21	67	TDI	I, PU	Boundary scan test data input. TDI contains an internal 150 kohm pull-up resistor.
L8	B22	69	TMS	I, PU	Boundary scan test mode select input. TMS contains an internal 150 kohm pull-up resistor.
L9	A26	70	TCK	I, PU	Boundary scan test clock input. TCK contains an internal 150 kohm pull-up resistor.
M9	A25	68	TRSTn	I, PU	Boundary scan test reset input. Active low. TRSTn contains an internal 150 kohm pull-up resistor as per the 1149.1 specification. After power up, the JTAG state machine should be reset by applying a low signal on this pin, or by keeping TMS high and applying 5 TCK pulses, or by pulling this pin low by a 4.7 kohm resistor.
K8	A27	72	TDO	O, Z	Boundary scan test data output.

Table 12: Clock/Configuration/Reset/I/O

117-TFBGA Pin #	96-aQFN Pin #	128-PQFP Pin #	Pin Name	Pin Type	Description
K2	B11	31	125CLK	O	Clock 125. A generic 125 MHz clock reference generated for use on the MAC device. This output can be disabled via DIS_125 through the CONFIG[3] pin.
D8	A35	88	CONFIG[0]	I	<p>CONFIG[0] pin configures PHY_ADR[2:0] bits of the physical address.</p> <p>Each LED pin is hardwired to a constant value. The values associated to the CONFIG[0] pin are latched at the de-assertion of hardware reset.</p> <p>CONFIG[0] pin must be tied to one of the pins based on the configuration options selected. They should not be left floating.</p> <p>For the Two-Wire Serial Interface (TWSI) device address, the lower 5 bits, which are PHYADR[4:0], are latched during hardware reset, and the device address bits [6:5] are fixed at '10'.</p>
E9	B30	87	CONFIG[1]	I	<p>CONFIG[1] pin configures PHY_ADR[4:3] and ENA_PAUSE options.</p> <p>Each LED pin is hardwired to a constant value. The values associated to the CONFIG[1] pin are latched at the de-assertion of hardware reset.</p> <p>CONFIG[1] pin must be tied to one of the pins based on the configuration options selected. They should not be left floating.</p> <p>For the TWSI device address, the lower 5 bits, which are PHYADR[4:0], are latched during hardware reset, and the device address bits [6:5] are fixed at '10'.</p>

Table 12: Clock/Configuration/Reset/I/O (Continued)

117-TFBGA Pin #	96-aQFN Pin #	128-PQFP Pin #	Pin Name	Pin Type	Description
F8	A34	86	CONFIG[2]	I	<p>CONFIG[2] pin configures ANEG[3:1] bits.</p> <p>Each LED pin is hardwired to a constant value. The values associated to the CONFIG[2] pin are latched at the de-assertion of hardware reset.</p> <p>CONFIG[2] pin must be tied to one of the pins based on the configuration options selected. They should not be left floating.</p>
G7	A33	82	CONFIG[3]	I	<p>CONFIG[3] pin configures ANEG[0], ENA_XC, and DIS_125 options.</p> <p>Each LED pin is hardwired to a constant value. The values associated to the CONFIG[3] pin are latched at the de-assertion of hardware reset.</p> <p>CONFIG[3] pin must be tied to one of the pins based on the configuration options selected. They should not be left floating.</p>
F9	B28	81	CONFIG[4]	I	<p>CONFIG[4] pin configures HWCFG_MODE[2:0] options.</p>
G9	A32	80	CONFIG[5]	I	<p>CONFIG[5] pin configures DIS_FC, DIS_SLEEP, and HWCFG_MODE[3] options.</p>
G8	B27	79	CONFIG[6]	I	<p>CONFIG[6] pin configures SEL_TWSI, INT_POL, and 75/50 OHM options.</p>
H8	B26	77	SEL_FREQ		<p>Frequency Selection for XTAL1 input</p> <p>NC = Selects 25 MHz clock input.</p> <p>Tied low = Selects 125 MHz clock input.</p> <p>Internally divided to 25 MHz.</p> <p>SEL_FREQ is internally pulled up.</p>
H9	A30	76	XTAL1	I	<p>Reference Clock. 25 MHz \pm 50 ppm or 125 MHz \pm 50 ppm oscillator input. PLL clocks are not recommended.</p>
J9	B25	75	XTAL2	0	<p>Reference Clock. 25 MHz \pm 50 ppm tolerance crystal reference. When the XTAL2 pin is not connected, it should be left floating. There is no option for a 125 MHz crystal. See "Crystal Oscillator" Application Note for details.</p>

Table 12: Clock/Configuration/Reset/I/O (Continued)

117-TFBGA Pin #	96-aQFN Pin #	128-PQFP Pin #	Pin Name	Pin Type	Description
K3	B13	36	RESETn	I	Hardware reset. Active low. XTAL1 must be active for a minimum of 10 clock cycles before the rising edge of RESETn. RESETn must be pulled high for normal operation.
L4	A15	37	COMA	I	<p>COMA disables all active circuitry to draw absolute minimum power. The COMA power mode can be activated by asserting high on the COMA pin. To deactivate the COMA power mode, tie the COMA pin low. Upon deactivating COMA mode, the 88E1111 device will continue normal operation.</p> <p>The COMA power mode cannot be enabled as long as hardware reset is enabled.</p> <p>In COMA mode, the PHY cannot wake up on its own by detecting activity on the CAT 5 cable.</p>



Table 13: Test

117-TFBGA Pin #	96-aQFN Pin #	128-PQFP Pin #	Pin Name	Pin Type	Description
M5 M6	A20 B18	53 54	HSDAC+ HSDAC-	Analog PD	Test pins. These pins should be left floating but brought out for probing.

Table 14: Control and Reference

117-TFBGA Pin #	96-aQFN Pin #	128-PQFP Pin #	Pin Name	Pin Type	Description
M2	B14	39	RSET	Analog I	Constant voltage reference. External 5.0 kohm 1% resistor connection to VSS required for each pin.

Table 15: Power & Ground

117-TFBGA Pin #	96-aQFN Pin #	128-PQFP Pin #	Pin Name	Pin Type	Description
B7 M3 M4 M7 M8 N5	B15 A19 B17 B19 A24 B36	44 49 52 59 64 104	AVDD	Power	Analog Power. 2.5V.
C6 C7 D7 E3 E7 F3 J3 J7	A1 B3 B5 A8 A31 B29 A36 A38 A46	2 6 12 17 23 27 78 85 90 96 117 118	DVDD	Power	Digital Power. 1.0V (Instead of 1.0V, 1.2V can be used).
B9 F7 J8	B24 B31 B34	73 89 97	VDDOH	Power	2.5V Power Supply for LED and CONFIG pins.
K9 L2	B12 B23	34 71	VDDOX	Power	2.5V Supply for the MDC/MDIO, INTn, 125CLK, RESETn, JTAG pin Power.
B4 C2 K1	A3 A11 B41 A52	5 11 30 122	VDDO	Power	2.5V I/O supply for the MAC interface pins.



Table 15: Power & Ground (Continued)

117-TFBGA Pin #	96-aQFN Pin #	128-PQFP Pin #	Pin Name	Pin Type	Description
D4 D5 D6 E4 E5 E6 F4 F5 F6 G4 G5 G6 H4 H5 H6 J4 J5 J6 K4 K5 K6 L5 L6	EPAD	1 9 15 21 22 38 40 43 45 48 51 55 58 60 63 65 66 83 84 93 94 101 102 103 106 108 111 116 119 127	VSS	GND	Global ground
H7	A29	74	VSSC	GND	Ground reference for XTAL1 and XTAL2 pins. This pin must be connected to the ground.
G1 K7	A7 A28	50	NC	NC	No connect. Do not connect these pins to anything

1.5 I/O State at Various Test or Reset Modes

Pin(s)	Isolate	Loopback or Normal operation	Software Reset	Hardware Reset	Power Down	Coma	Power Down and Isolate
MDI[3:0]±	Active	Active	Tri-state	Tri-state	Tri-state	Tri-state	Tri-state
TX_CLK	Tri-state	Active	Reg. 16.3 state 0 = Low 1 = Active	Low	Reg. 16.3 state 0 = Low 1 = Active	Reg. 16.3 state 0 = Low 0 = Static but can be either high or low	Tri-state
RXD[0], RXD[2]	Tri-state	Active	High	High	High	High	Tri-state
RXD[7:3,1], RX_DV, RX_ER, CRS	Tri-state	Active	Low	Low	Low	Low	Tri-state
COL	Tri-state	TBI mode - input else -active	Tri-state	Tri-state	TBI mode - input else - low	TBI mode - input else - low	Tri-state
RX_CLK	Tri-state	Active	Reg. 16.3 state 0 = Low 1 = Active	Low	Reg. 16.3 state 0 = Low 1 = Active	Reg. 16.3 state 0 = Low 0 = Static but can be either high or low	Tri-state
S_CLK± S_OUT±	Active	Active	Tri-state	Tri-state	Reg. 16.3 state 0 = Tri-state 1 = Active	Tri-state	Active
MDIO	Active	Active	Active	Tri-state	Active	Tri-state	Active
INT	Active	Active	Tri-state	Tri-state	Tri-state	Tri-state	Tri-state
LED_***	Active	Active	High	High	High	High	High
TDO	Tri-state	Tri-state	Tri-state	Tri-state	Tri-state	Active	Tri-state
125CLK	Reg. 16.4 state 0 = Toggle 1 = Low	Reg. 16.4 state 0 = Toggle 1 = Low	Reg. 16.4 state 0 = Toggle 1 = Low	Toggle	Reg. 16.4 state 0 = Toggle 1 = Low	Reg. 16.3 state 0 = Static but can be either high or low 0 = Low	Reg. 16.4 state 0 = Toggle 1 = Low



1.6 117-Pin TFBGA Pin Assignment List - Alphabetical by Signal Name

Pin #	Pin Name	Pin #	Pin Name
K2	125CLK	A9	LED_LINK1000
B7	AVDD	C9	LED_RX
M3	AVDD	D9	LED_TX
M4	AVDD	L3	MDC
M7	AVDD	N2	MDI[0]-
M8	AVDD	N1	MDI[0]+
N5	AVDD	N4	MDI[1]-
B6	COL	N3	MDI[1]+
L4	COMA	N7	MDI[2]-
D8	CONFIG[0]	N6	MDI[2]+
E9	CONFIG[1]	N9	MDI[3]-
F8	CONFIG[2]	N8	MDI[3]+
G7	CONFIG[3]	M1	MDIO
F9	CONFIG[4]	G1	NC
G9	CONFIG[5]	K7	NC
G8	CONFIG[6]	K3	RESETn
B5	CRS	M2	RSET
C6	DVDD	B2	RXD0
C7	DVDD	D3	RXD1
D7	DVDD	C3	RXD2
E3	DVDD	B3	RXD3
E7	DVDD	C4	RXD4
F3	DVDD	A1	RXD5
J3	DVDD	A2	RXD6
J7	DVDD	C5	RXD7
E2	GTX_CLK	C1	RX_CLK
M6	HSDAC-	B1	RX_DV
M5	HSDAC+	D2	RX_ER
L1	INTn	A6	S_CLK-
E8	LED_DUPLEX	A5	S_CLK+
C8	LED_LINK10	A4	S_IN-
B8	LED_LINK100	A3	S_IN+

1.6 117-Pin TFBGA Pin Assignment List - Alphabetical by Signal Name (Continued)

Pin #	Pin Name	Pin #	Pin Name
A8	S_OUT-	D4	VSS
A7	S_OUT+	D5	VSS
H8	SEL_FREQ	D6	VSS
L9	TCK	E4	VSS
L7	TDI	E5	VSS
K8	TDO	E6	VSS
L8	TMS	F4	VSS
M9	TRSTn	F5	VSS
F1	TXD0	F6	VSS
G2	TXD1	G4	VSS
G3	TXD2	G5	VSS
H2	TXD3	G6	VSS
H1	TXD4	H4	VSS
H3	TXD5	H5	VSS
J1	TXD6	H6	VSS
J2	TXD7	J4	VSS
D1	TX_CLK	J5	VSS
E1	TX_EN	J6	VSS
F2	TX_ER	K4	VSS
B4	VDDO	K5	VSS
C2	VDDO	K6	VSS
K1	VDDO	L5	VSS
B9	VDDOH	L6	VSS
F7	VDDOH	H7	VSSC
J8	VDDOH	H9	XTAL1
K9	VDDOX	J9	XTAL2
L2	VDDOX		



1.7 96-Pin aQFN Pin Assignment List - Alphabetical by Signal Name

NOTE: The 96-pin BCC package is obsolete and is no longer available. The 96-Pin aQFN package is a pin compatible replacement for the 96-Pin BCC package.

96- Pin BCC Pin #	96- Pin aQFN Pin #	Pin Name	96- Pin BCC Pin #	96- Pin aQFN Pin #	Pin Name
22	B11	125CLK	74	A40	LED_LINK100
32	B15	AVDD	73	A39	LED_LINK1000
35	A19	AVDD	69	A37	LED_RX
36	B17	AVDD	68	B32	LED_TX
40	B19	AVDD	25	A14	MDC
45	A24	AVDD	31	A17	MDI[0]-
78	B36	AVDD	29	A16	MDI[0]+
83	A45	COL	34	B16	MDI[1]-
27	A15	COMA	33	A18	MDI[1]+
65	A35	CONFIG[0]	41	A22	MDI[2]-
64	B30	CONFIG[1]	39	A21	MDI[2]+
63	A34	CONFIG[2]	43	A23	MDI[3]-
61	A33	CONFIG[3]	42	B20	MDI[3]+
60	B28	CONFIG[4]	24	A13	MDIO
59	A32	CONFIG[5]	13	A7	NC
58	B27	CONFIG[6]	51	A28	NC
84	B39	CRS	28	B13	RESETn
1	A1	DVDD	30	B14	RSET
6	B3	DVDD	95	A51	RXD0
10	B5	DVDD	92	B43	RXD1
15	A8	DVDD	93	A50	RXD2
57	A31	DVDD	91	A49	RXD3
62	B29	DVDD	90	B42	RXD4
67	A36	DVDD	89	A48	RXD5
71	A38	DVDD	87	A47	RXD6
85	A46	DVDD	86	B40	RXD7
8	B4	GTX_CLK	2	B1	RX_CLK
38	B18	HSDAC-	94	B44	RX_DV
37	A20	HSDAC+	3	A2	RX_ER
23	A12	INTn	80	B37	S_CLK-
70	B33	LED_DUPLEX	79	A43	S_CLK+
76	B35	LED_LINK10	81	A44	S_IN-

1.7 96-Pin aQFN Pin Assignment List - Alphabetical by Signal Name (Continued)

NOTE: The 96-pin BCC package is obsolete and is no longer available. The 96-Pin aQFN package is a pin compatible replacement for the 96-Pin BCC package.

96- Pin BCC Pin #	96- Pin aQFN Pin #	Pin Name	96- Pin BCC Pin #	96- Pin aQFN Pin #	Pin Name
82	B38	S_IN+	4	B2	TX_CLK
75	A41	S_OUT-	9	A5	TX_EN
77	A42	S_OUT+	7	A4	TX_ER
56	B26	SEL_FREQ	5	A3	VDDO
49	A26	TCK	21	A11	VDDO
44	B21	TDI	88	B41	VDDO
50	A27	TDO	96	A52	VDDO
46	B22	TMS	52	B24	VDDOH
47	A25	TRSTn	66	B31	VDDOH
11	A6	TXD0	72	B34	VDDOH
12	B6	TXD1	26	B12	VDDOX
14	B7	TXD2	48	B23	VDDOX
16	B8	TXD3	EPAD	EPAD	VSS
17	A9	TXD4	53	A29	VSSC
18	B9	TXD5	55	A30	XTAL1
19	A10	TXD6	54	B25	XTAL2
20	B10	TXD7			



1.8 128-Pin PQFP Pin Assignment List - Alphabetical by Signal Name

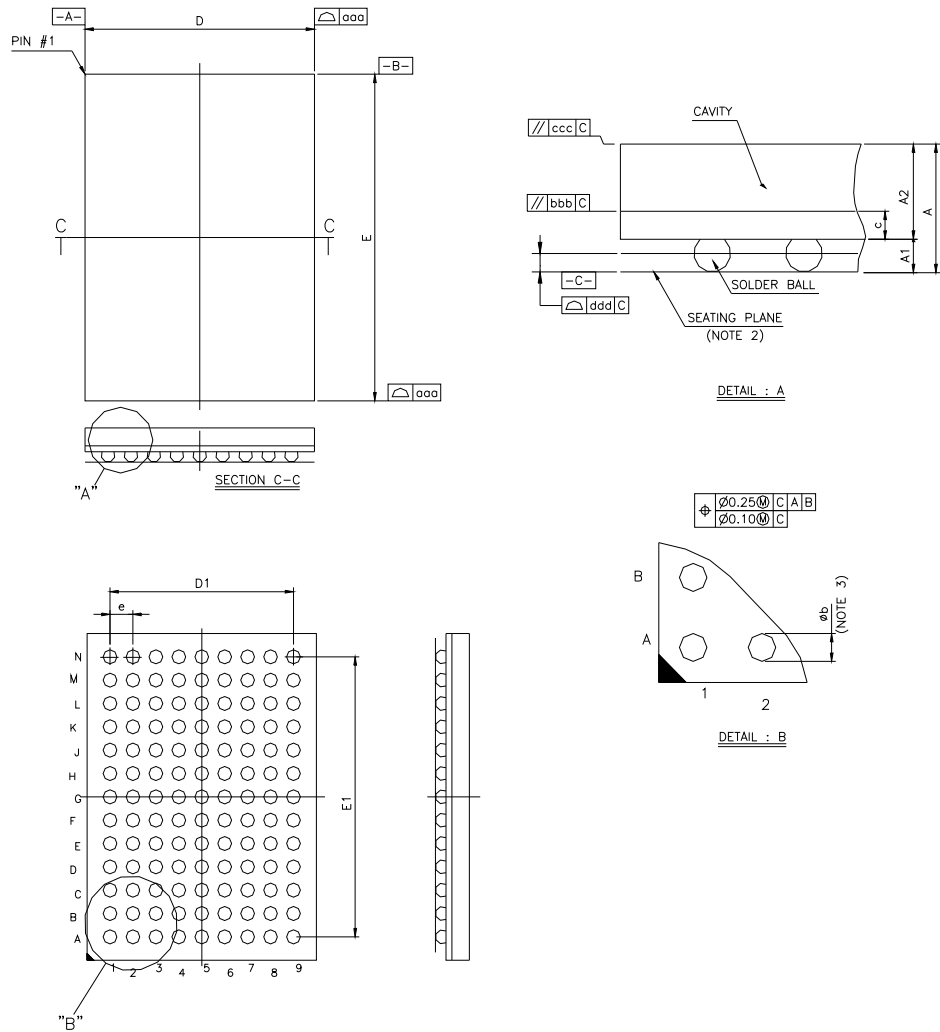
Pin #	Pin Name	Pin #	Pin Name
31	125CLK	32	INTn
44	AVDD	95	LED_DUPLEX
49	AVDD	100	LED_LINK10
52	AVDD	99	LED_LINK100
59	AVDD	98	LED_LINK1000
64	AVDD	92	LED_RX
104	AVDD	91	LED_TX
114	COL	35	MDC
37	COMA	41	MDI[0]+
88	CONFIG[0]	42	MDI[0]-
87	CONFIG[1]	46	MDI[1]+
86	CONFIG[2]	47	MDI[1]-
82	CONFIG[3]	56	MDI[2]+
81	CONFIG[4]	57	MDI[2]-
80	CONFIG[5]	61	MDI[3]+
79	CONFIG[6]	62	MDI[3]-
115	CRS	33	MDIO
2	DVDD	50	NC
6	DVDD	36	RESETn
12	DVDD	39	RSET
17	DVDD	7	RX_CLK
23	DVDD	4	RX_DV
27	DVDD	8	RX_ER
78	DVDD	3	RXD0
85	DVDD	128	RXD1
90	DVDD	126	RXD2
96	DVDD	125	RXD3
117	DVDD	124	RXD4
118	DVDD	123	RXD5
14	GTX_CLK	121	RXD6
53	HSDAC+	120	RXD7
54	HSDAC-	110	S_CLK+

1.8 128-Pin PQFP Pin Assignment List - Alphabetical by Signal Name (Continued)

Pin #	Pin Name	Pin #	Pin Name
109	S_CLK-	9	VSS
113	S_IN+	15	VSS
112	S_IN-	21	VSS
107	S_OUT+	22	VSS
105	S_OUT-	38	VSS
77	SEL_FREQ	40	VSS
70	TCK	43	VSS
67	TDI	45	VSS
72	TDO	48	VSS
69	TMS	51	VSS
68	TRSTn	55	VSS
10	TX_CLK	58	VSS
16	TX_EN	60	VSS
13	TX_ER	63	VSS
18	TXD0	65	VSS
19	TXD1	66	VSS
20	TXD2	83	VSS
24	TXD3	84	VSS
25	TXD4	93	VSS
26	TXD5	94	VSS
28	TXD6	101	VSS
29	TXD7	102	VSS
5	VDDO	103	VSS
11	VDDO	106	VSS
30	VDDO	108	VSS
122	VDDO	111	VSS
73	VDDOH	116	VSS
89	VDDOH	119	VSS
97	VDDOH	127	VSS
34	VDDOX	74	VSSC
71	VDDOX	76	XTAL1
1	VSS	75	XTAL2

Section 2. Package Mechanical Dimensions

2.1 117-pin TFBGA Package



(All dimensions in mm.)

Table 16: 117-Pin TFBGA Package Dimensions

Dimensions in mm			
Symbol	MIN	NOM	MAX
A	--	--	1.54
A1	0.40	0.50	0.60
A2	0.84	0.89	0.94
c	0.32	0.36	0.40
D	9.90	10.00	10.10
E	13.90	14.00	14.10
D1	--	8.00	--
E1	--	12.00	--
e	--	1.00	--
b	0.50	0.60	0.70
aaa	0.20		
bbb	0.25		
ccc	0.35		
ddd	0.15		
MD/ME			

NOTE:

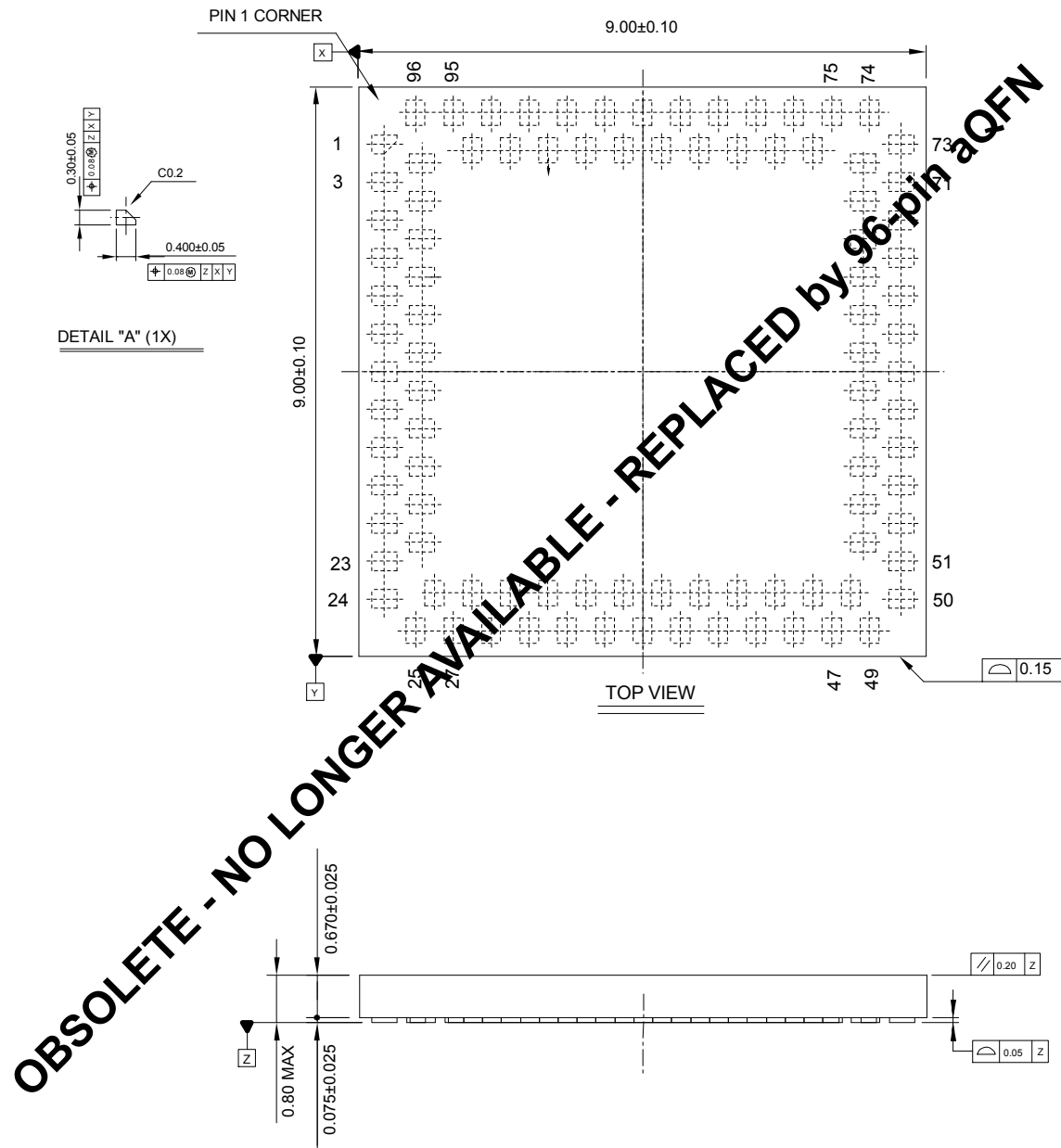
1. CONTROLLING DIMENSION: MILLIMETER.
2. PRIMARY DATUM C AND SEATING PLANE ARE DEFINED BY THE SPHERICAL CROWNS OF THE SOLDER BALLS.
3. DIMENSION b IS MEASURED AT THE MAXIMUM SOLDER BALL DIAMETER, PARALLEL TO PRIMARY DATUM C.

2.2 96-pin BCC Package - Top View - OBSOLETE - No Longer Available - Replaced by the 96-Pin aQFN Package

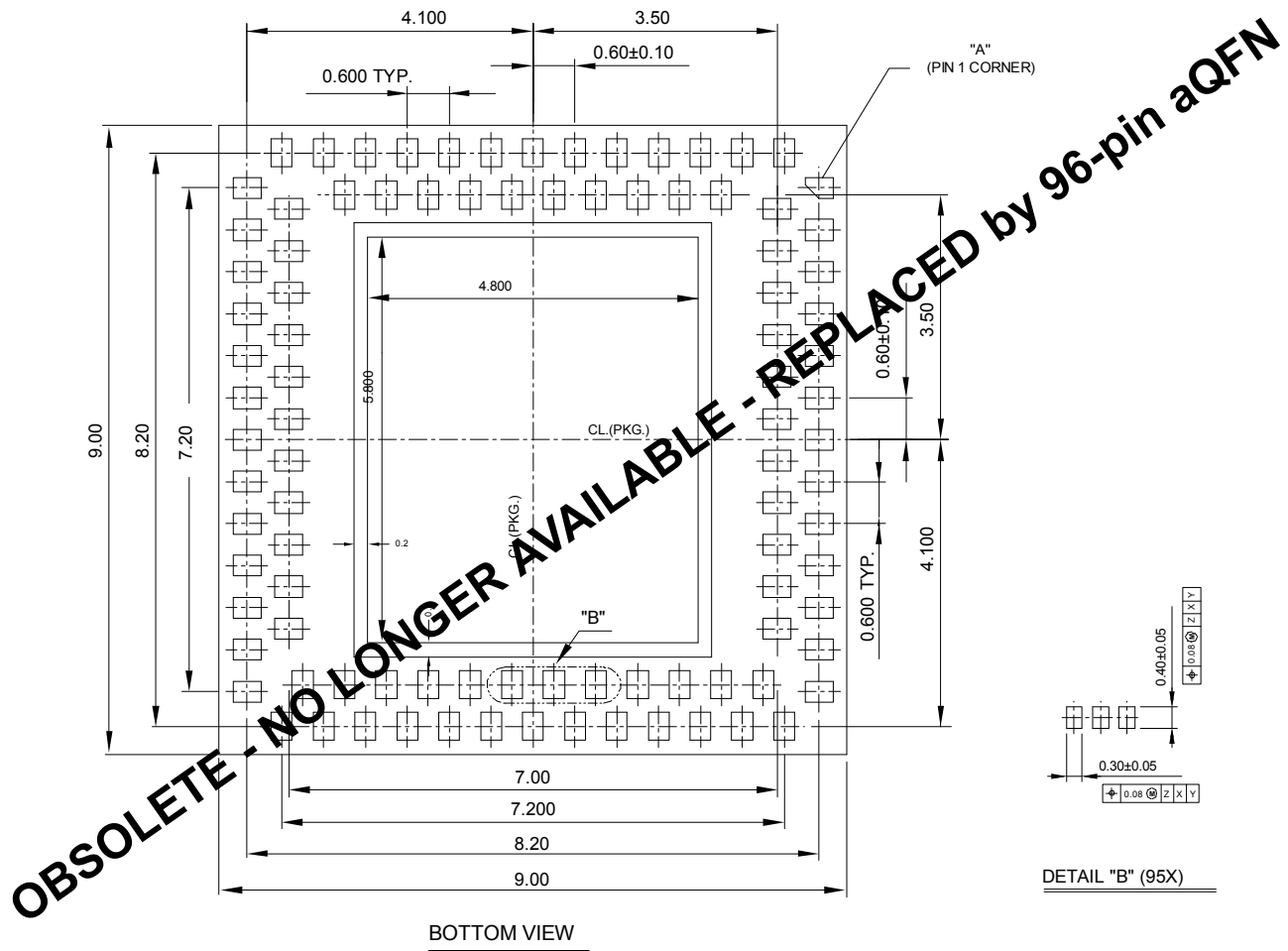


Note

The 96-Pin aQFN package is a pin compatible replacement for the 96-Pin BCC package. See Product Change Notification 1210066 and [Table 20](#) for details.



2.3 96-Pin BCC Package - Bottom View - OBSOLETE - No Longer Available - Replaced by the 96-Pin aQFN Package



2.4 96-pin aQFN Package - Top View

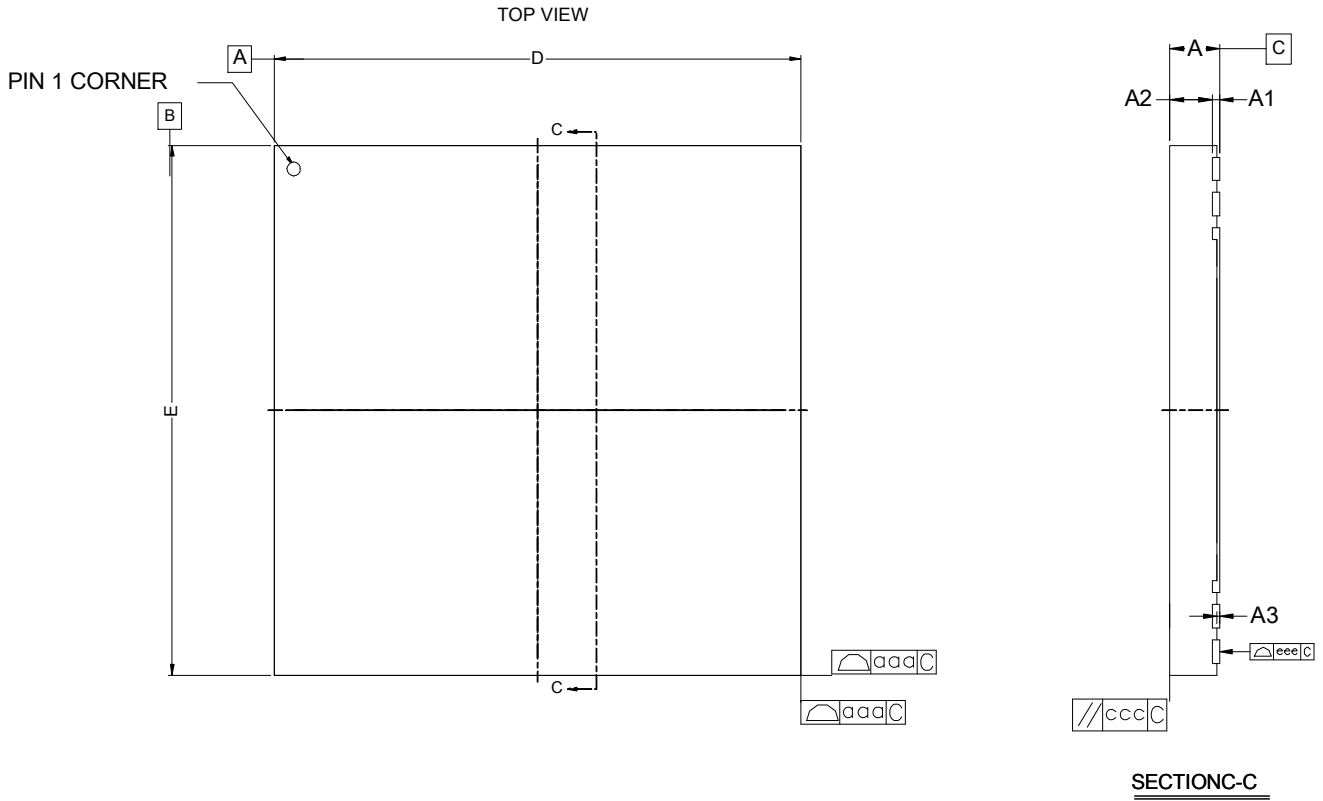
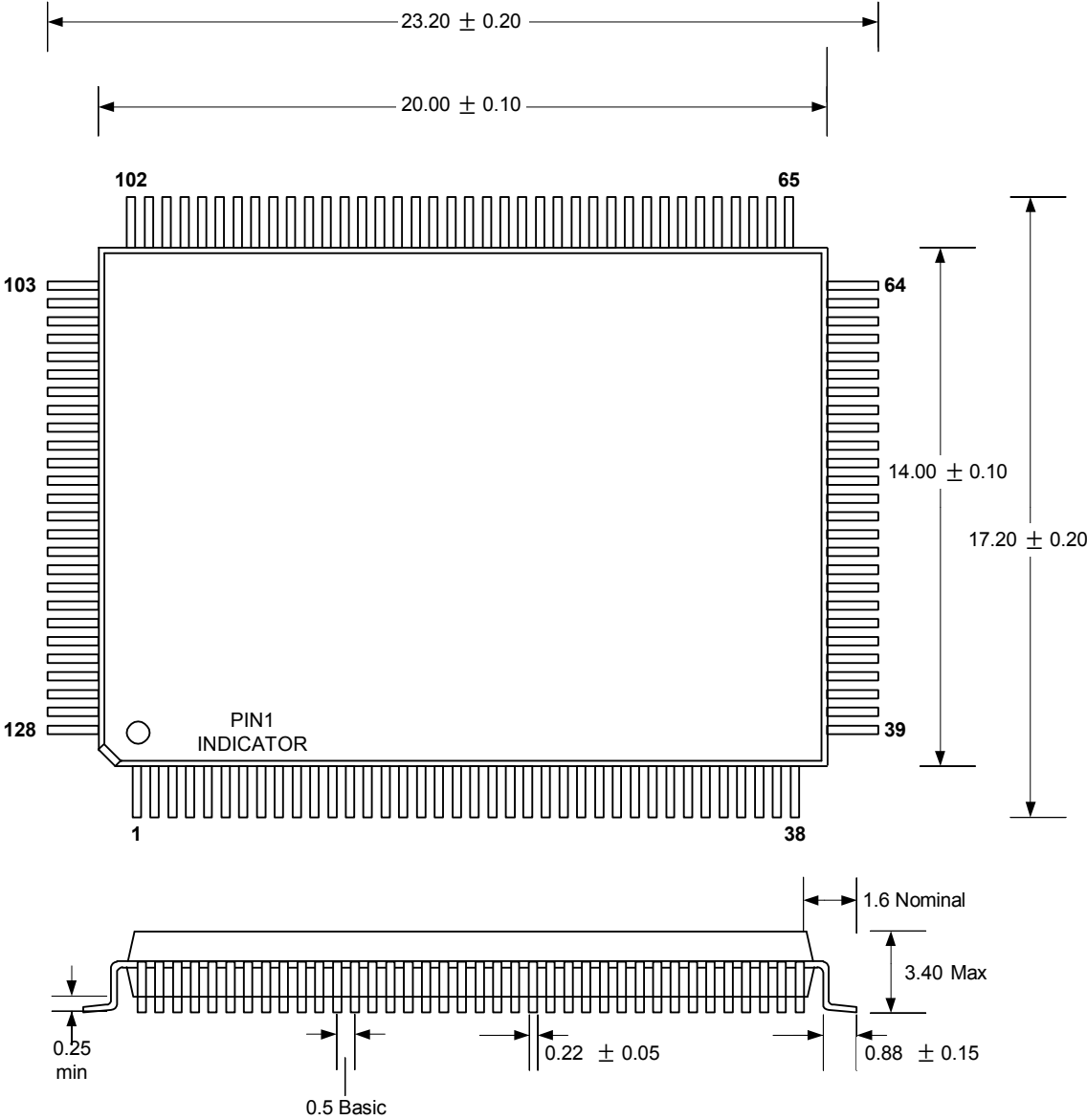


Table 17: 96-Pin aQFN Package Dimensions

Controlling Dimension: MM			
Symbol	MIN	NOM	MAX
A	--	--	0.85
A3	0.020	0.050	0.080
A2	0.640	0.675	0.710
A1	0.120	0.130	0.140
b	0.250	0.300	0.350
b1	0.350	0.400	0.450
D	9.00 BSC		
D2	4.700	4.800	4.900
E	9.00 BSC		
E2	5.700	5.800	5.900
eT	0.600		
eR	0.600		
K	0.350	0.400	0.450
K1	0.850	0.900	0.950
L	0.150	0.200	0.250
Tolerances of Form and Position			
aaa	0.150		
bbb	0.100		
ddd	0.050		
ccc	0.080		
eee	0.080		
fff	0.100		

2.6 128-Pin PQFP Package





Section 3. Order Information

3.1 Ordering Part Numbers and Package Markings

Figure 6 shows the ordering part numbering scheme for the 88E1111 devices. Contact Marvell® FAEs or sales representatives for complete ordering information.

Figure 6: Sample Part Number

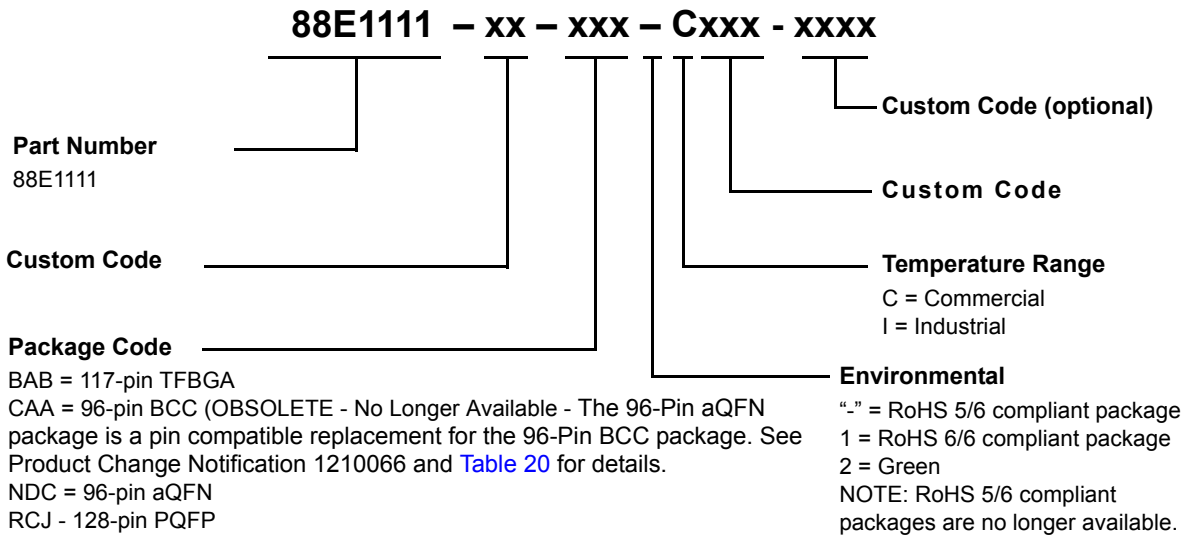


Table 18: 88E1111 Part Order Options - RoHS 6/6 Compliant Package

Package Type	Part Order Number
88E1111 117-pin TFBGA - Commercial	88E1111-XX-BAB1C000
88E1111 117-pin TFBGA - Industrial	88E1111-XX-BAB1I000
88E1111 96-pin BCC - Commercial (OBSOLETE - no longer available - replaced by 96-pin aQFN)	88E1111-XX-CAA1C000
88E1111 96-pin BCC - Industrial (OBSOLETE - no longer available - replaced by 96-pin aQFN)	88E1111-XX-CAA1I000
88E1111 128-pin PQFP - Commercial	88E1111-XX-RCJ1C000

Table 19: 88E1111 Part Order Options - Green Compliant Package

Package Type	Part Order Number
88E1111 96-pin aQFN Commercial	88E1111-XX-NDC2C000
88E1111 96-pin aQFN Industrial	88E1111-XX-NDC2I000

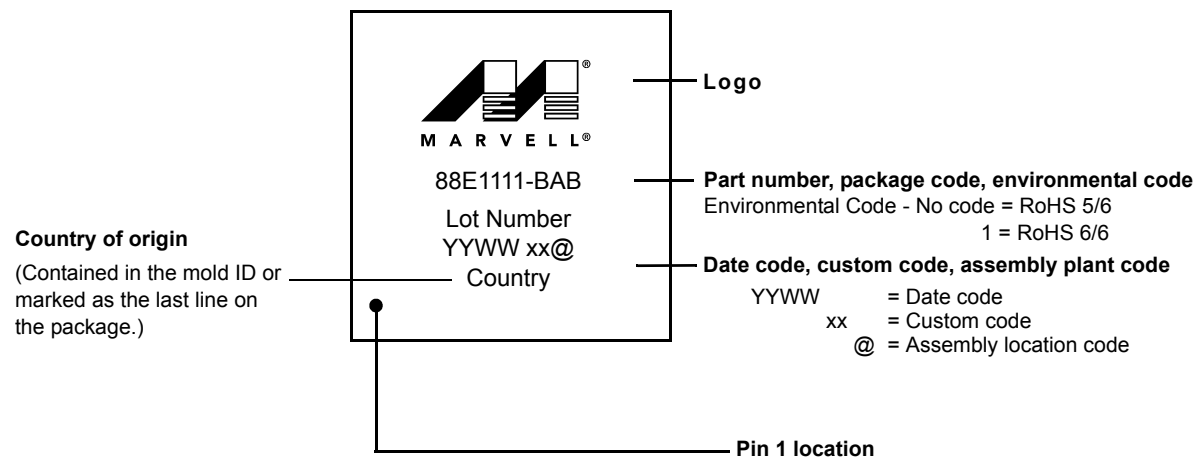
Table 20: 96-pin BCC Package Replacement Part Numbers

Existing 96-pin BCC Package Part Number	Recommended 96-pin aQFN Package Replacement Part Number
88E1111-B0-CAA-C000	88E1111-B0-NDC2C000
88E1111-B0-CAA1C000	88E1111-B0-NDC2C000
88E1111-B2-CAA-C000	88E1111-B2-NDC2C000
88E1111-B2-CAA-I000	88E1111-B2-NDC2I000
88E1111-B2-CAA1C000	88E1111-B2-NDC2C000
88E1111-B2-CAA1I000	88E1111-B2-NDC2I000

3.1.1 RoHS 5/6 Compliant Marking Examples

Figure 7 is an example of the package marking and pin 1 location for the 88E1111 117-pin TFBGA commercial RoHS 5/6 compliant package.

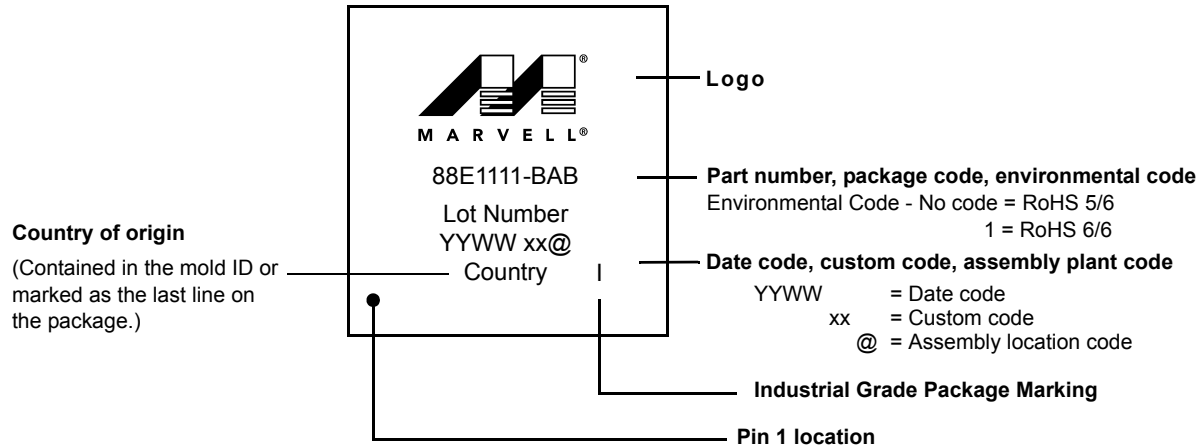
Figure 7: 88E1111 117-pin TFBGA Commercial RoHS 5/6 Compliant Package Marking and Pin 1 Location



Note: The above example is not drawn to scale. Location of markings is approximate.

Figure 8 is an example of the package marking and pin 1 location for the 88E1111 117-pin TFBGA Industrial RoHS 5/6 compliant package.

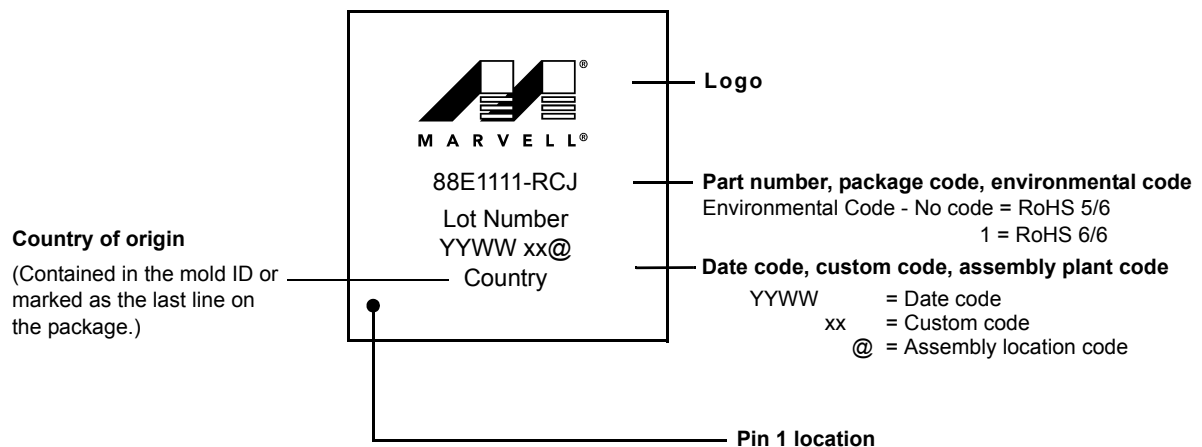
Figure 8: 88E1111 117-pin TFBGA Industrial RoHS 5/6 Compliant Package Marking and Pin 1 Location



Note: The above example is not drawn to scale. Location of markings is approximate.

Figure 9 is an example of the package marking and pin 1 location for the 88E1111 128-pin PQFP Commercial RoHS 5/6 compliant package.

Figure 9: 88E1111 128-pin PQFP Commercial RoHS 5/6 Compliant Package Marking and Pin 1 Location

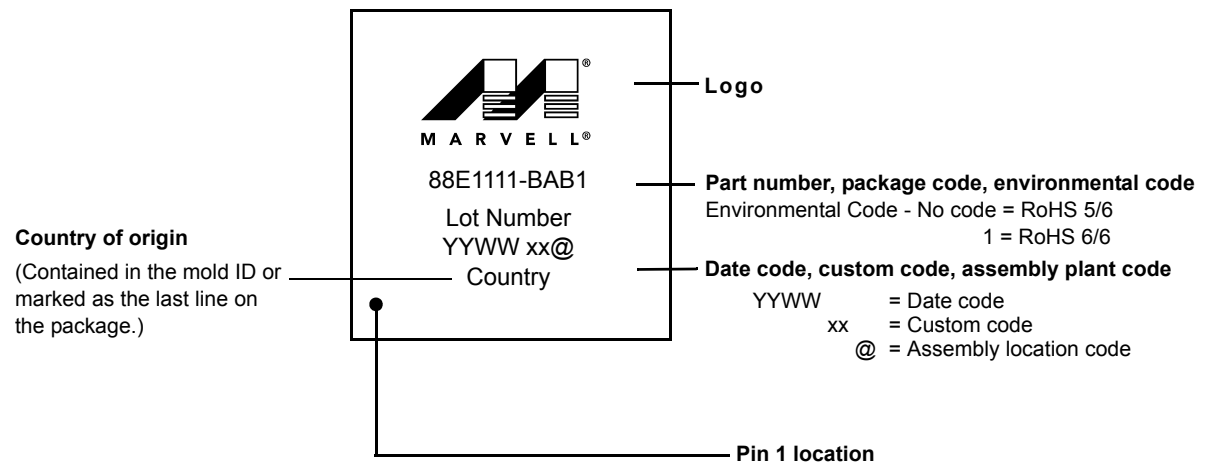


Note: The above example is not drawn to scale. Location of markings is approximate.

3.1.2 RoHS 6/6 Compliant Marking Examples

Figure 10 is an example of the package marking and pin 1 location for the 88E1111 117-pin TFBGA commercial RoHS 6/6 compliant package.

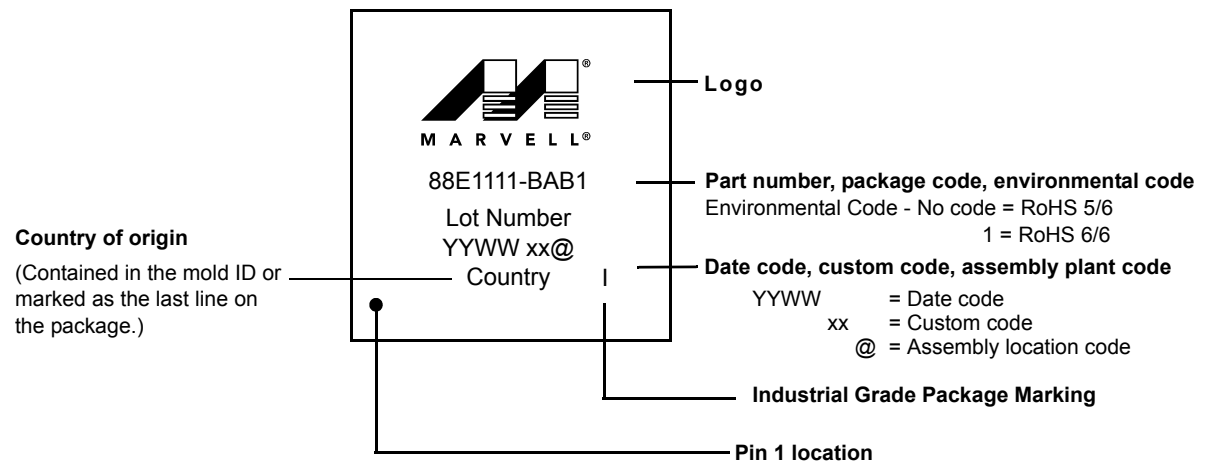
Figure 10: 88E1111 117-pin TFBGA Commercial RoHS 6/6 Compliant Package Marking and Pin 1 Location



Note: The above example is not drawn to scale. Location of markings is approximate.

Figure 11 is an example of the package marking and pin 1 location for the 88E1111 117-pin TFBGA industrial RoHS 6/6 compliant package.

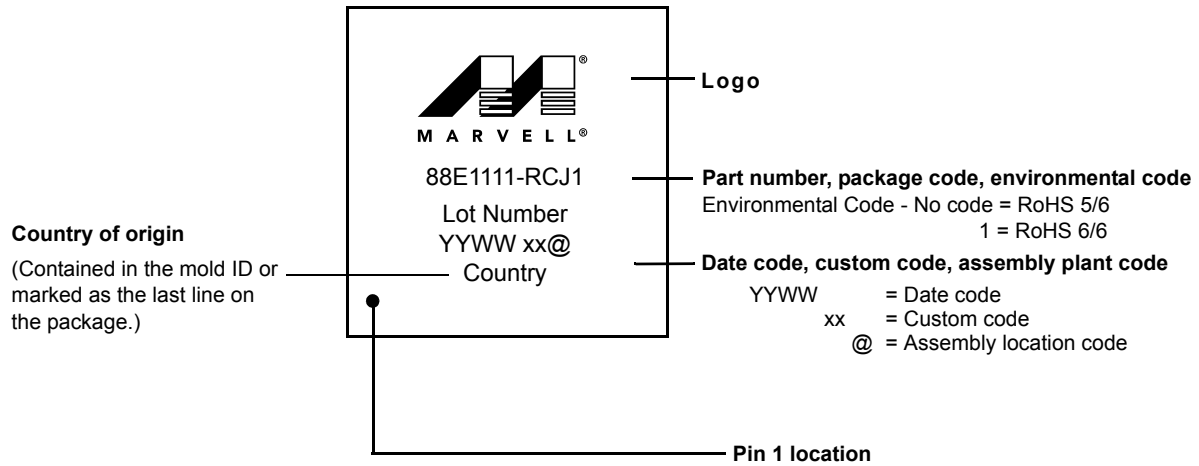
Figure 11: 88E1111 117-pin TFBGA Industrial RoHS 6/6 Compliant Package Marking and Pin 1 Location



Note: The above example is not drawn to scale. Location of markings is approximate.

Figure 12 is an example of the package marking and pin 1 location for the 88E1111 128-pin PQFP Commercial RoHS 6/6 compliant package.

Figure 12: 88E1111 128-pin PQFP Commercial RoHS 6/6 Compliant Package Marking and Pin 1 Location

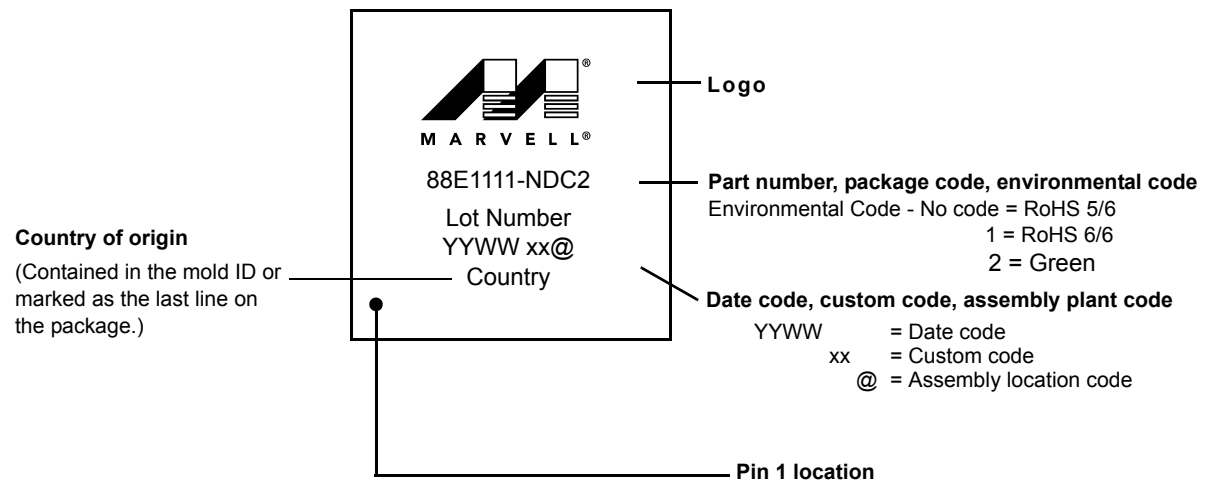


Note: The above example is not drawn to scale. Location of markings is approximate.

3.1.3 Green Compliant Marking Examples

Figure 13 is an example of the package marking and pin 1 location for the 88E1111 96-pin aQFN Commercial Green compliant package.

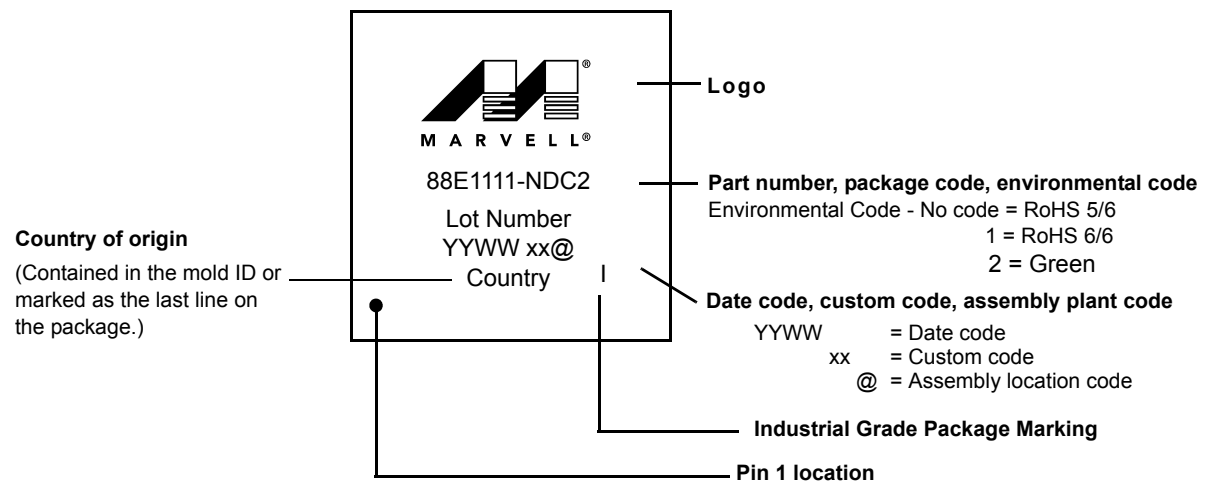
Figure 13: 88E1111 96-pin aQFN Commercial Green Compliant Package Marking and Pin 1 Location



Note: The above example is not drawn to scale. Location of markings is approximate.

Figure 14 is an example of the package marking and pin 1 location for the 88E1111 96-pin aQFN Industrial Green compliant package.

Figure 14: 88E1111 96-pin aQFN Industrial Green Compliant Package Marking and Pin 1 Location



Note: The above example is not drawn to scale. Location of markings is approximate.



Marvell Semiconductor, Inc.
5488 Marvell Lane
Santa Clara, CA 95054, USA

Tel: 1.408.222.2500

Fax: 1.408.988.8279

www.marvell.com

Marvell. Moving Forward Faster