

MODEL: PR-002A | **DESCRIPTION:** DC POWER RECEPTACLE

FEATURES

- 2.0 mm center pin
- 4.0 A rating
- cable mount


SPECIFICATIONS

parameter	conditions/description	min	typ	max	units
rated input voltage			24		Vdc
rated input current				4.0	A
contact resistance	between terminal and mating plug			30	mΩ
insulation resistance	at 500 Vdc	100			MΩ
voltage withstand	for 1 minute			500	Vac
insertion/withdrawal force		0.4		2	kg
operating temperature		-10		50	°C
life			5,000		cycles
flammability rating	UL94V-2 for body only				
RoHS	yes				

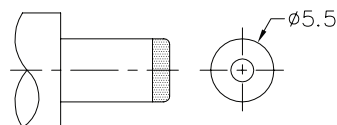
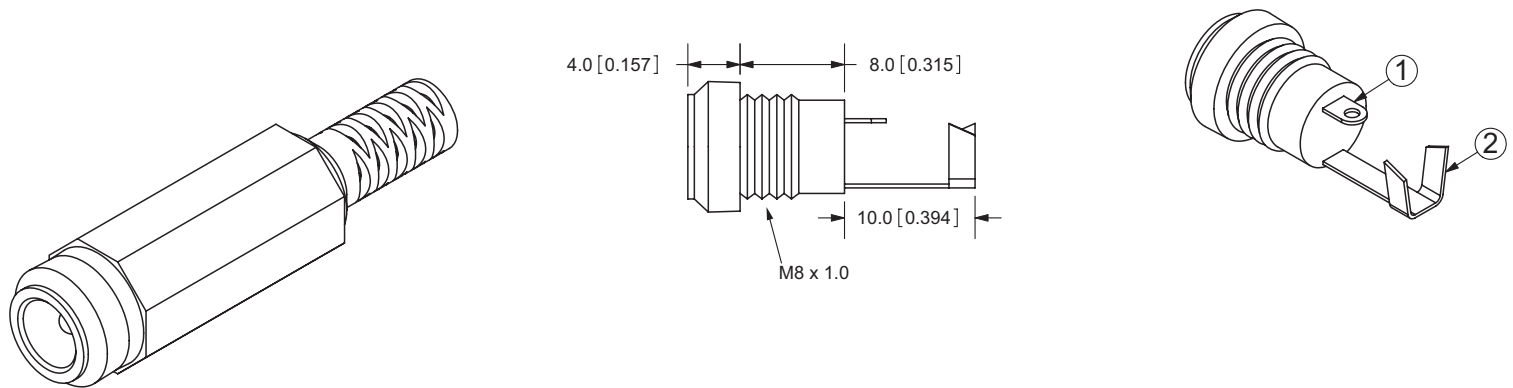
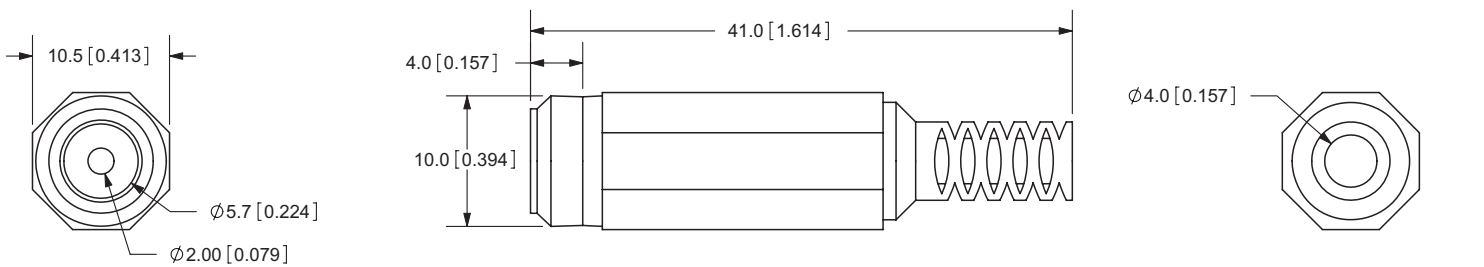
SOLDERABILITY

parameter	conditions/description	min	typ	max	units
hand soldering	for maximum 2 seconds		360		°C

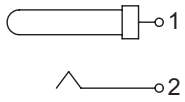
MECHANICAL DRAWING

units: mm[inches]
tolerance: ±0.3 mm

	MATERIAL	PLATING
center pin	PBS	nickel
terminal 1	BSR	nickel
terminal 2	BSR	nickel
cap	PE	
body	PA	



MATING PLUG
Jack Insertion Depth: 9.3 mm

SCHEMATIC	
Model	PR-002A
Center Pin	$\phi 2.0$ mm

REVISION HISTORY

rev.	description	date
1.0	initial release	11/11/2005
1.01	updated rating	03/06/2007
1.02	added contact resistance	08/20/2010
1.03	added pin designations	09/10/2010
1.04	updated datasheet	10/25/2017
1.05	brand update	11/13/2019
1.06	logo, datasheet style update	08/05/2022

The revision history provided is for informational purposes only and is believed to be accurate.



CUI Devices offers a one (1) year limited warranty. Complete warranty information is listed on our website.

CUI Devices reserves the right to make changes to the product at any time without notice. Information provided by CUI Devices is believed to be accurate and reliable. However, no responsibility is assumed by CUI Devices for its use, nor for any infringements of patents or other rights of third parties which may result from its use.

CUI Devices products are not authorized or warranted for use as critical components in equipment that requires an extremely high level of reliability. A critical component is any component of a life support device or system whose failure to perform can be reasonably expected to cause the failure of the life support device or system, or to affect its safety or effectiveness.

cuidevices.com