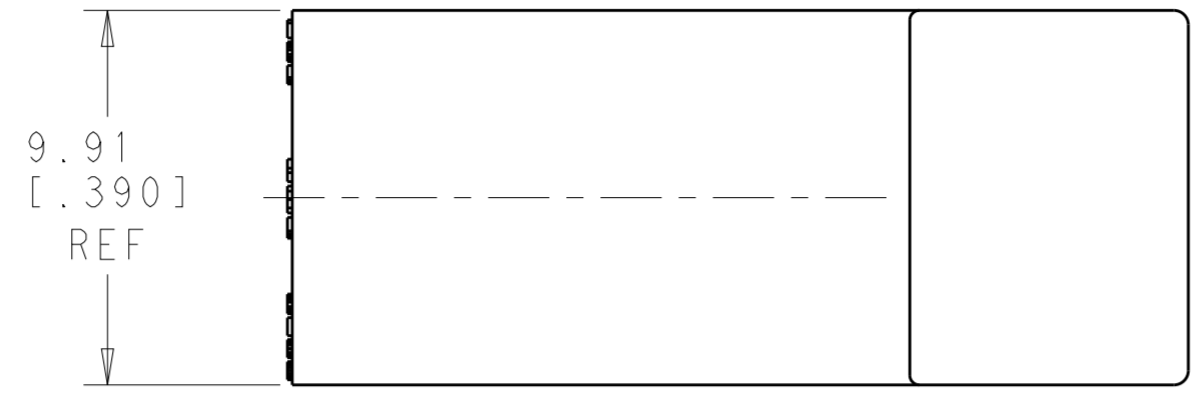
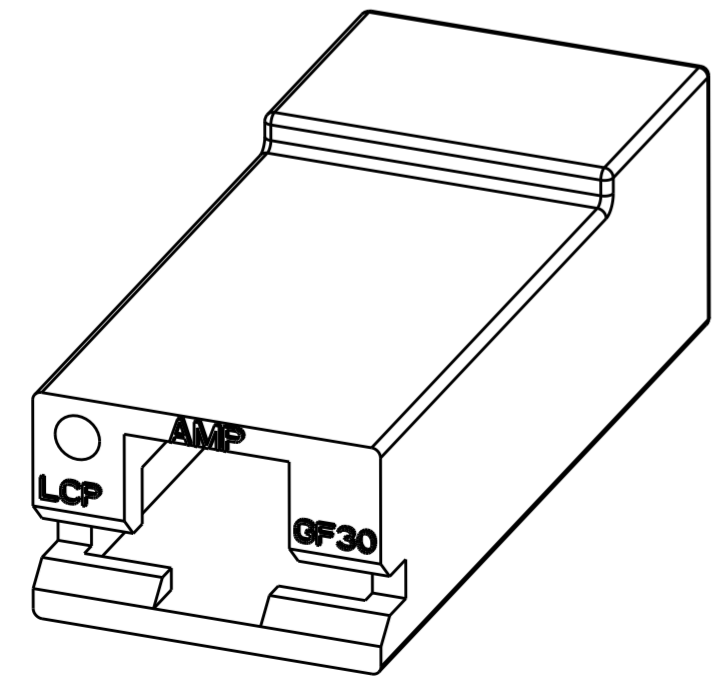
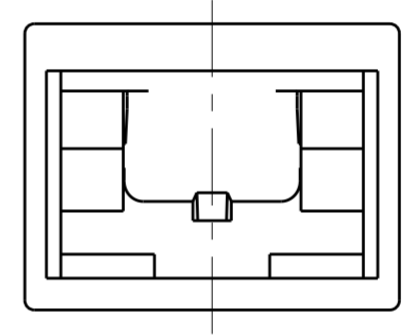
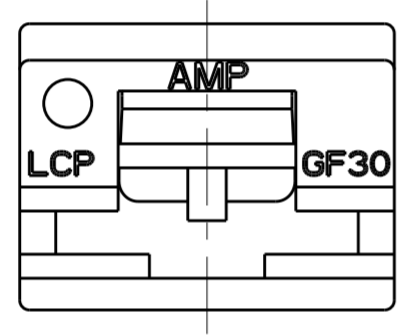
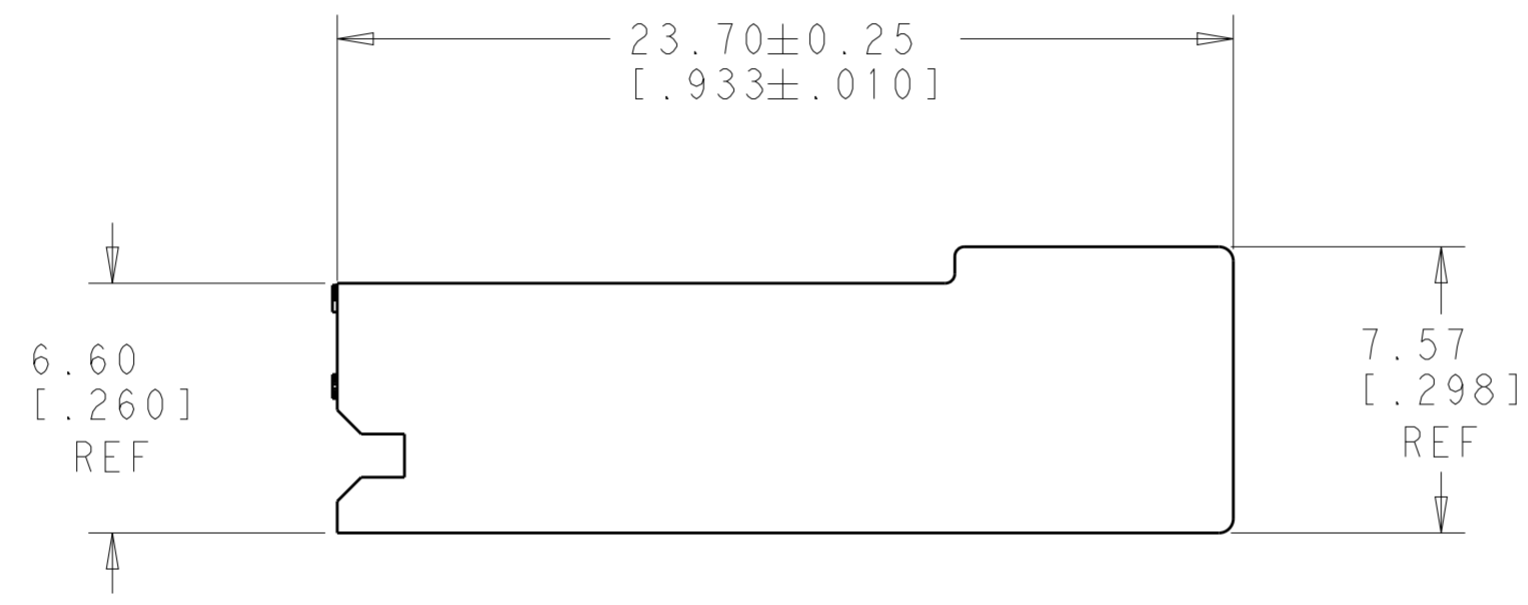


THIS DRAWING IS UNPUBLISHED. RELEASED FOR PUBLICATION 20  
 © COPYRIGHT 20 BY - ALL RIGHTS RESERVED.

LOC		DIST		REVISIONS			
P	LTR	DESCRIPTION	DATE	DWN	APVD		
AF	50	B	RELEASED PER ECO-14-014704	06OCT14	JR	DH	



1 ACCEPTS NICKEL PLATED STEEL RECPTACLE 1742198-1



1969632-1  
PART NO.

THIS DRAWING IS A CONTROLLED DOCUMENT.		DWN JR RUTH 15MAY13	TE Connectivity	
DIMENSIONS: mm [INCHES]		CHK PETE DESANTIS 15MAY13		
TOLERANCES UNLESS OTHERWISE SPECIFIED:		APVD PETE DESANTIS 15MAY13	NAME HOUSING, RECEPTACLE, FASTON, .250 SERIES,	
0 PLC ±	1 PLC ±	PRODUCT SPEC	SIZE	CAGE CODE
2 PLC ±0.25 [.010]	3 PLC ±	APPLICATION SPEC	A200779	C-1969632
4 PLC ±	ANGLES ±1	FINISH	SCALE 5:1	SHEET 1 OF 1
MATERIAL LCP 200C	FINISH COLOR-BLACK	WEIGHT -	RESTRICTED TO -	REV B
Customer Drawing				