

NOTES

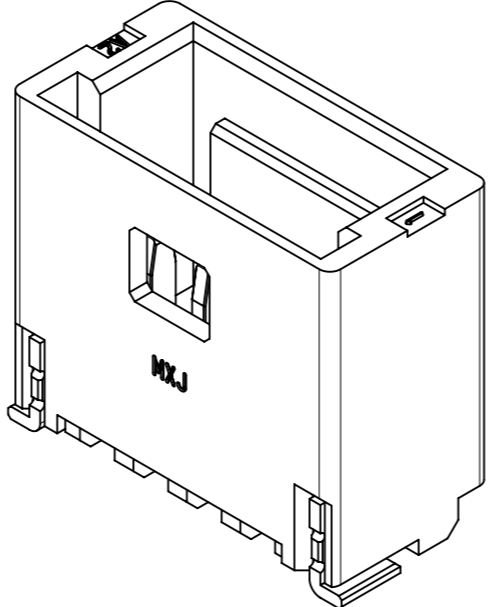
- 本製品は極数によって、ロック形状が変わりますので御注意願います。  
THE LOCK SHAPE OF THIS PRODUCT CHANGES ACCORDING TO THE NUMBER OF CIRCUIT.  
2~5 CIRCUITS : フリクションロック FRICTION LOCK  
6~15 CIRCUITS : インナーポジティブロック INNER POSITIVE LOCK
- 材料及び仕上げ(めっき仕様) : TABLE 1,2 参照  
MATERIAL AND FINISHES : SEE TABLE 1 AND 2
- 製品仕様書 : 5013300000-PS 001  
PRODUCT SPECIFICATION:
- 梱包形態 : SEE SHEET 4  
PACKAGING INFORMATION:
- 嵌合相手 : 501330 シリーズ  
MATES WITH:501330 SERIES
- アプリケーション仕様書(コネクタ取扱い説明書) : 5013300000-AS A00(JAPANESE)/-A01(ENGLISH)  
APPLICATION SPECIFICATION(CONNECTOR MANUAL):
- 溶剤ピン及びネイルの平坦度:0.1 MAX.  
SOLDER PIN AND NAIL COPLANARITY: 0.1 MAX.
- 偶数極に適用  
APPLY FOR EVEN CIRCUIT
- 本製品は錫めっき品である。金めっき品は以下の図面を御参照下さい。  
THIS PRODUCT IS A TIN PLATING. PLEASE REFER TO THE FOLLOWING DRAWING FOR GOLD PLATING VERSION.

GOLD PLATING THICKNESS [micro-meter MIN.]	SERIES No.	DRAWING No.
0.1	504449	5044490000-SD PSD 000
0.38	203556	2035560000-SD PSD 000
0.76	203557	2035570000-SD PSD 000

TABLE 1

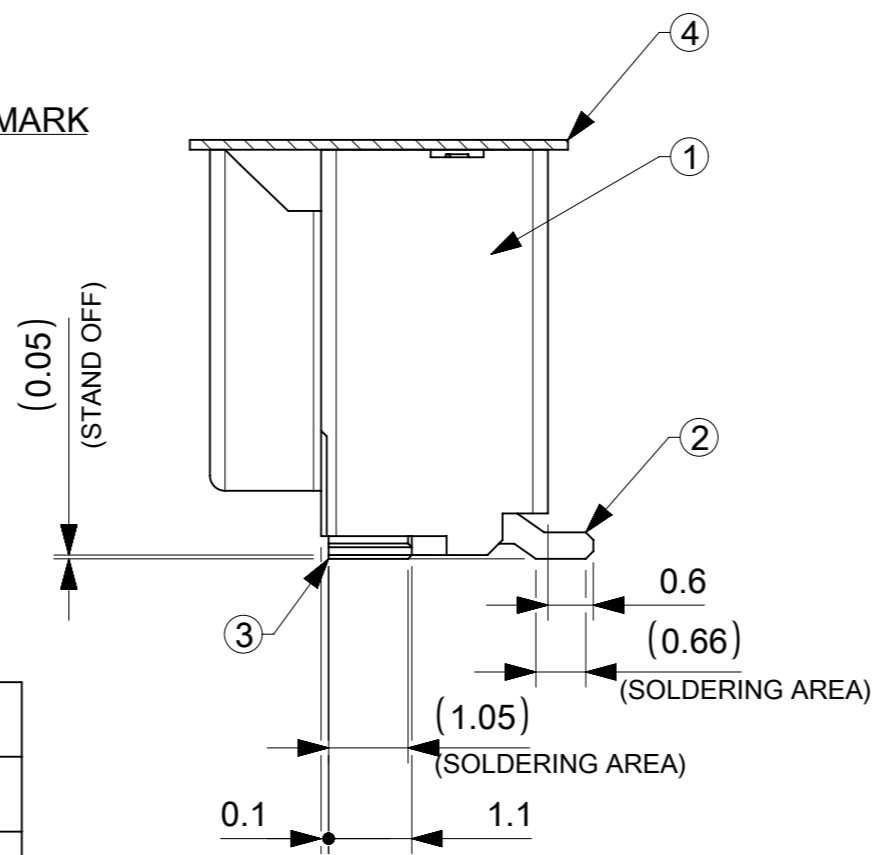
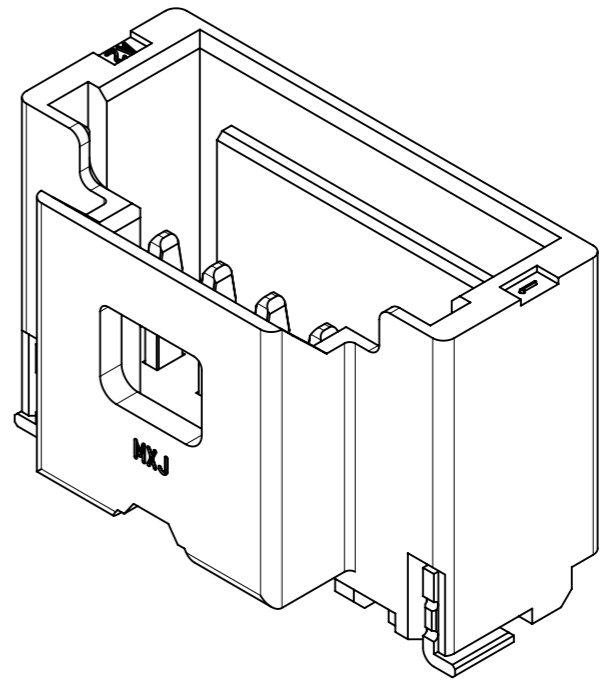
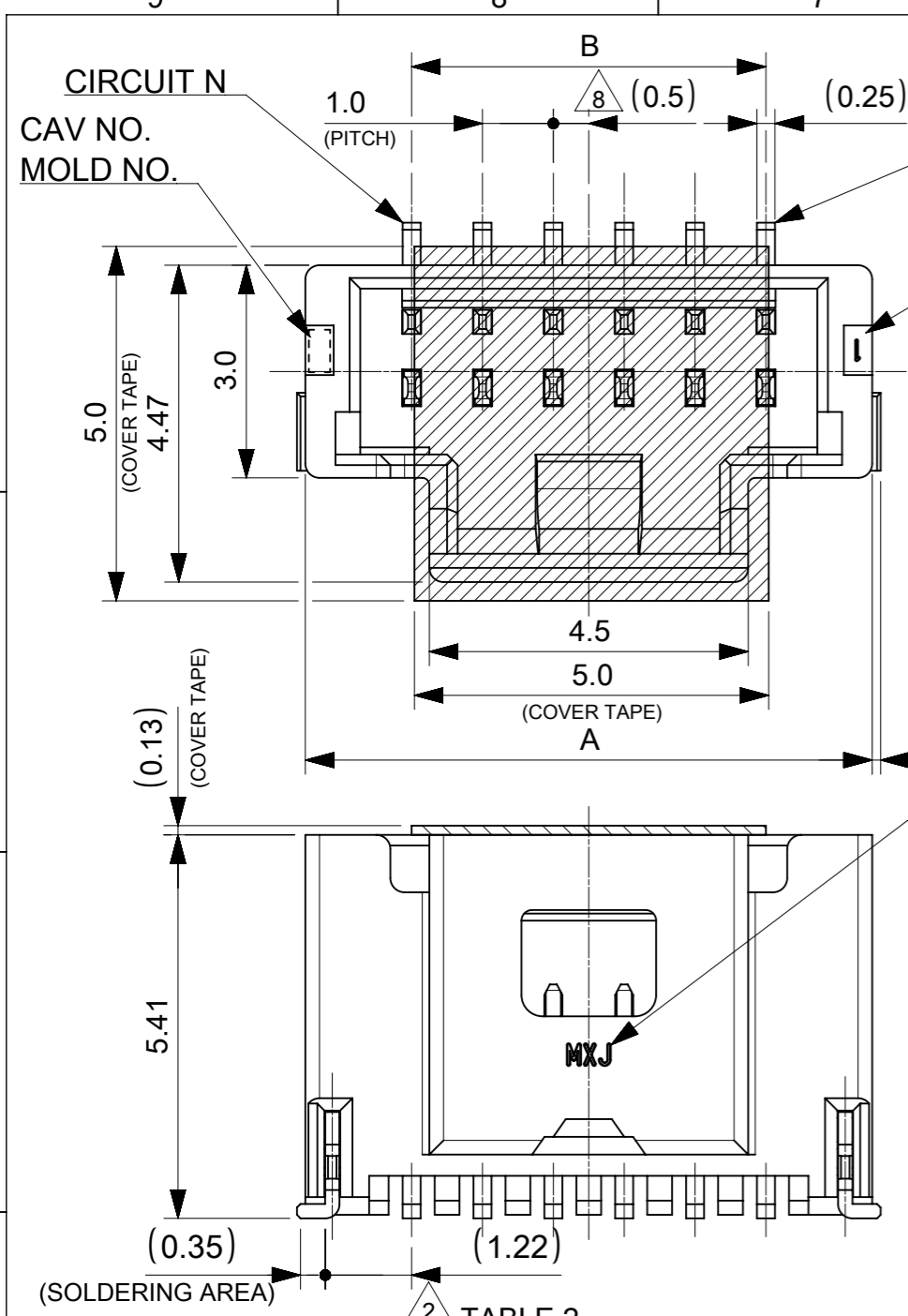
番号 NO.	部品 PART	材質 MATERIAL	
①	ウエハー WAFER	ポリアミド(PA), UL94V-0, 色 : SEE SHEET 6 POLYAMIDE(PA), UL94V-0, COLOR : SEE SHEET 6	
②	溶剤ピン SOLDER PIN	リン青銅 PHOSPHOR BRONZE	
		接点部 CONTACT AREA	錫めっき : 1.0 MICRO-METER MIN. MATTE TIN PLATING
		テール部 TAIL AREA	錫めっき : 1.0 MICRO-METER MIN. MATTE TIN PLATING
	下地めっき UNDER PLATING	ニッケルめっき : 1.0 MICRO-METER MIN. NICKEL	
③	ネイル NAIL	リン青銅 PHOSPHOR BRONZE	
		テール部 TAIL AREA	錫めっき : 1.0 MICRO-METER MIN. MATTE TIN PLATING
		下地めっき UNDER PLATING	ニッケルめっき : 1.0 MICRO-METER MIN. NICKEL
④	カバーテープ COVER TAPE	ポリイミドテープ POLYIMIDE TAPE	

4.0	7.0	5
3.0	6.0	4
2.0	5.0	3
1.0	4.0	2
B	A	極数 CIRCUIT SIZE



THIS DRAWING CONTAINS INFORMATION THAT IS PROPRIETARY TO MOLEX ELECTRONIC TECHNOLOGIES, LLC AND SHOULD NOT BE USED WITHOUT WRITTEN PERMISSION

DIMENSION UNITS	SCALE	CURRENT REV DESC:		<b>molex</b>		
mm	NTS					
GENERAL TOLERANCES (UNLESS SPECIFIED)				PICO-CLASP 1.0 W/B SINGLE ROW VT SMT INNER LOCK TIN PLATING		
ANGULAR TOL	± 3.0 °	EC NO: 614886		PRODUCT CUSTOMER DRAWING		
4 PLACES	± 0.2	DRWN: AISHIKAWA 2019/02/18		DOCUMENT NUMBER		
3 PLACES	± 0.2	CHK'D: AIDA 2019/04/03		DOC TYPE DOC PART REVISION		
2 PLACES	± 0.2	APPR: KOMURAKAMI 2019/04/05		5013310000-SD PSD 000 A		
1 PLACE	± 0.2	INITIAL REVISION:		MATERIAL NUMBER CUSTOMER SHEET NUMBER		
0 PLACES	± 0.2	DRWN: AISHIKAWA 2019/02/18		SEE SHEET 6		
DRAFT WHERE APPLICABLE MUST REMAIN WITHIN DIMENSIONS		THIRD ANGLE PROJECTION	DRAWING	SERIES	SHEET NUMBER	
			A3-SIZE	501331	1 OF 6	



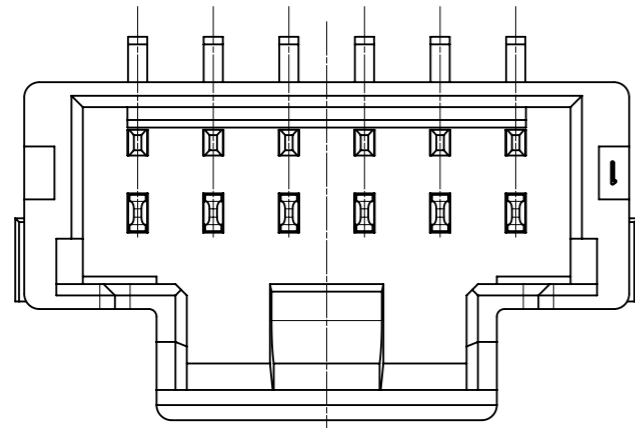
14.0	17.0	15
13.0	16.0	14
12.0	15.0	13
11.0	14.0	12
10.0	13.0	11
9.0	12.0	10
8.0	11.0	9
7.0	10.0	8
6.0	9.0	7
5.0	8.0	6
B	A	極数 CIRCUIT SIZE

番号 NO.	部品 PART	材質 MATERIAL	
①	ウエハー WAFER	ポリアミド(PA), UL94V-0, 色 : SEE SHEET 6 POLYAMIDE(PA), UL94V-0, COLOR : SEE SHEET 6	
②	ソルダーピン SOLDER PIN	リン青銅 PHOSPHOR BRONZE	
		接点部 CONTACT AREA	錫めっき : 1.0 MICRO-METER MIN. MATTE TIN PLATING
		テール部 TAIL AREA	錫めっき : 1.0 MICRO-METER MIN. MATTE TIN PLATING
	下地めっき UNDER PLATING	ニッケルめっき : 1.0 MICRO-METER MIN. NICKEL	
③	ネイル NAIL	リン青銅 PHOSPHOR BRONZE	
		テール部 TAIL AREA	錫めっき : 1.0 MICRO-METER MIN. MATTE TIN PLATING
		下地めっき UNDER PLATING	ニッケルめっき : 1.0 MICRO-METER MIN. NICKEL
④	カバーテープ COVER TAPE	ポリイミドテープ POLYIMIDE TAPE	

DOCUMENT STATUS | P1 | RELEASE DATE | 2019/04/05 | 01:07:45

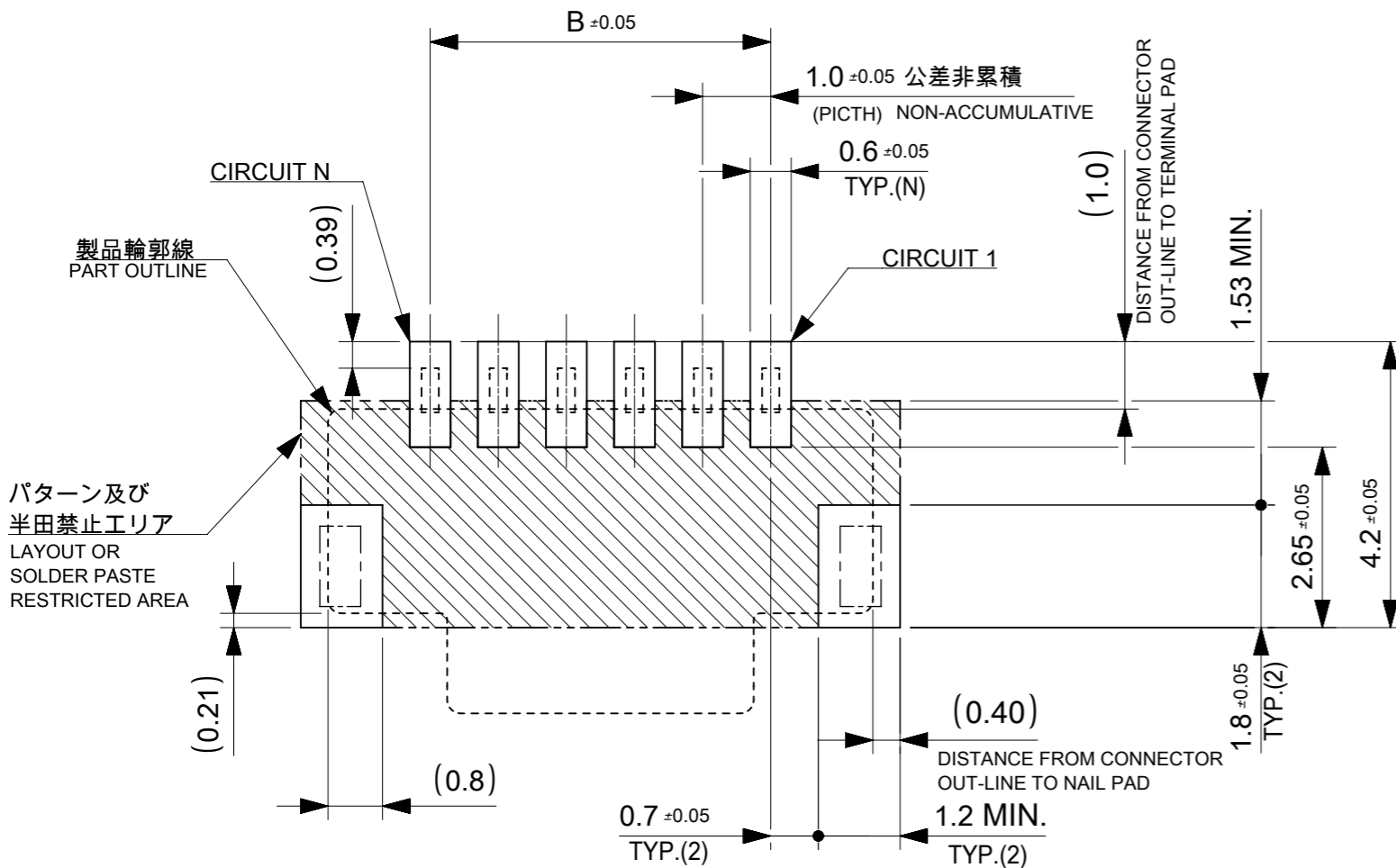
THIS DRAWING CONTAINS INFORMATION THAT IS PROPRIETARY TO MOLEX ELECTRONIC TECHNOLOGIES, LLC AND SHOULD NOT BE USED WITHOUT WRITTEN PERMISSION

DIMENSION UNITS <b>mm</b>	SCALE <b>NTS</b>	CURRENT REV DESC:		<b>molex</b>		
GENERAL TOLERANCES (UNLESS SPECIFIED)		EC NO: 614886				
ANGULAR TOL ± 3.0°	4 PLACES ± 0.2	DRWN: AISHIKAWA	2019/02/18	SINGLE ROW VT SMT INNER LOCK TIN PLATING		
3 PLACES ± 0.2	2 PLACES ± 0.2	CHK'D: AIDA	2019/04/03	PRODUCT CUSTOMER DRAWING		
1 PLACE ± 0.2	0 PLACES ± 0.2	APPR: KOMURAKAMI	2019/04/05	INITIAL REVISION:		
DRAFT WHERE APPLICABLE MUST REMAIN WITHIN DIMENSIONS		THIRD ANGLE PROJECTION		DRWN: AISHIKAWA	2019/02/18	DOCUMENT NUMBER
				APPR: KOMURAKAMI	2019/04/05	5013310000-SD
				DRAWING		DOC TYPE
				SERIES		DOC PART
				MATERIAL NUMBER		REVISION
				CUSTOMER		
				SHEET NUMBER		
				SEE SHEET 6		
				A3-SIZE		
				501331		
				2 OF 6		



製品レイアウト(参考: 6~15 CIRCUITS)  
PRODUCT LAYOUT(REFERENCE: 6~15 CIRCUITS)

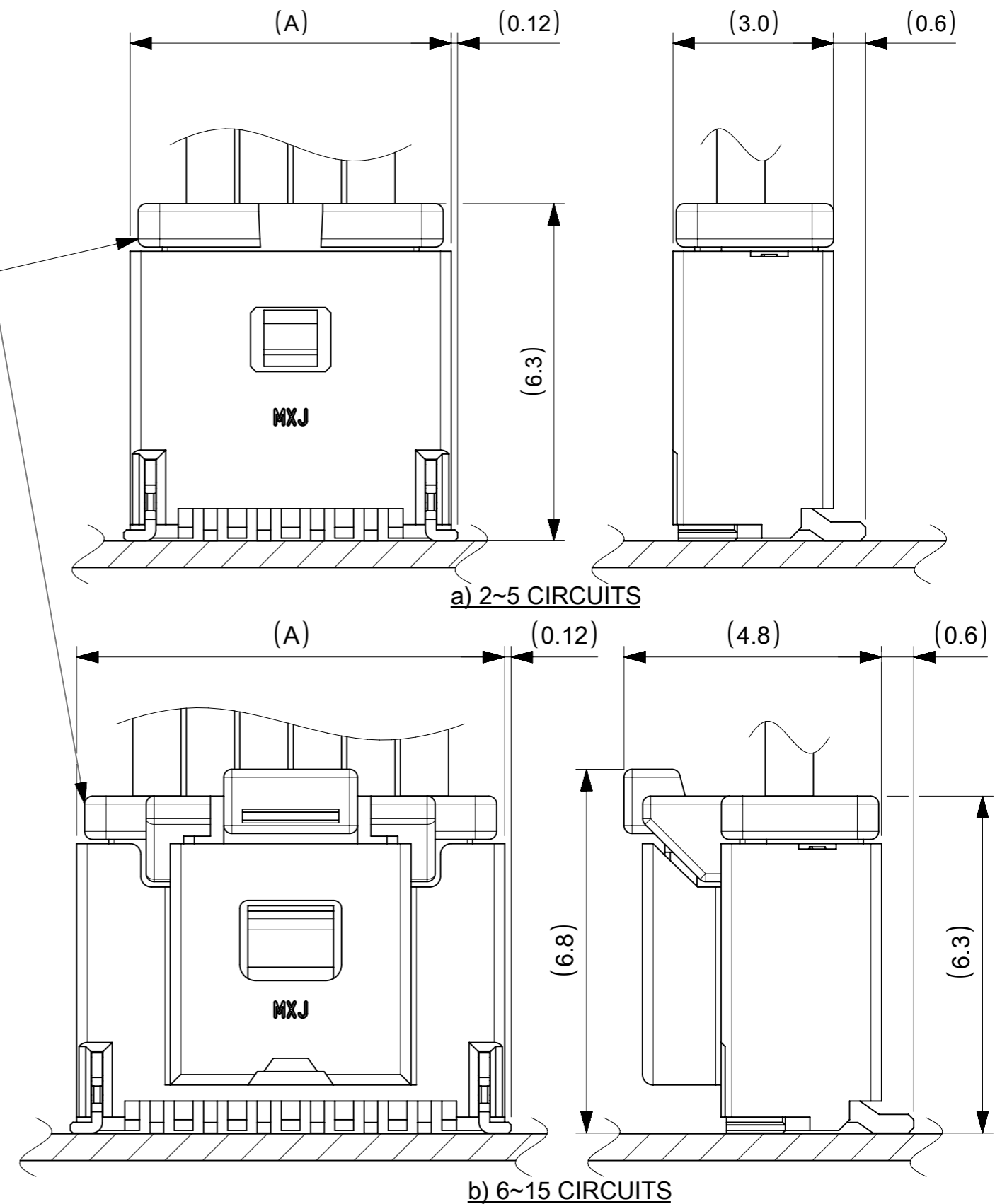
△ 嵌合相手: 501330 シリーズ  
MATE WITH: 501330 SERIES



推奨基板レイアウト(全極数適応): 実装面側  
(参考: 基板厚 1.0mm, メタルマスク厚さ 0.12mm, マスク開口率100%)

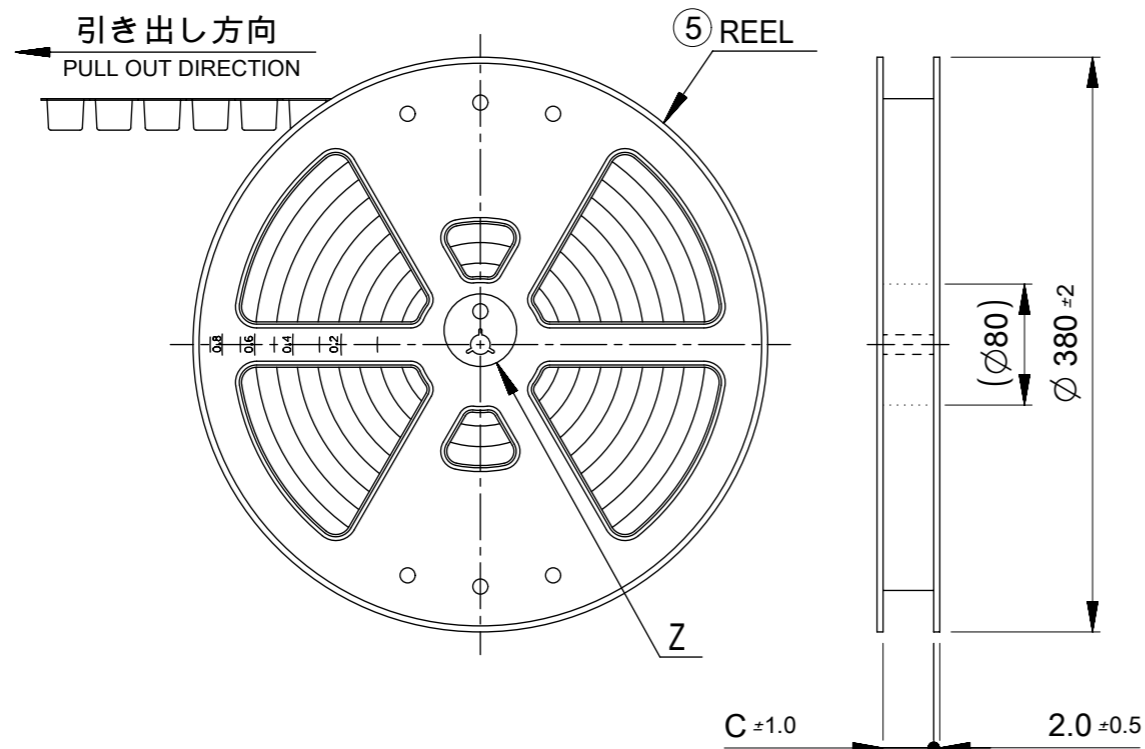
POLARIZED RECOMMENDED PCB LAYOUT(APPLY TO ALL CIRCUIT): COMPONENT SIDE  
(REFERENCE: PCB THICKNESS 1.0mm, STENCIL THICKNESS 0.12mm, APERTURE RATIO 100%)

:パターン禁止エリア  
RESTRICTED AREA  
NO PCB COMPONENTS ALLOWED



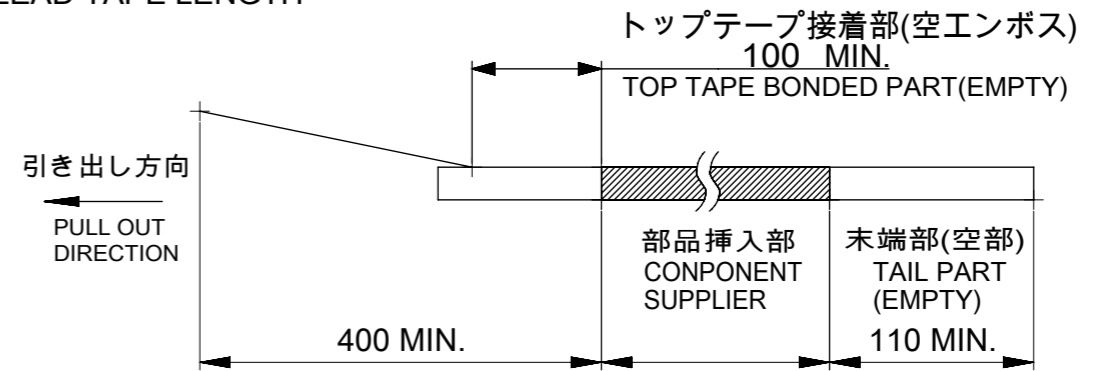
嵌合図  
MATED CONNECTORS

THIS DRAWING CONTAINS INFORMATION THAT IS PROPRIETARY TO MOLEX ELECTRONIC TECHNOLOGIES, LLC AND SHOULD NOT BE USED WITHOUT WRITTEN PERMISSION		CURRENT REV DESC:		<b>molex</b>	
DIMENSION UNITS	SCALE				
mm	NTS			PICO-CLASP 1.0 W/B SINGLE ROW VT SMT INNER LOCK TIN PLATING	
GENERAL TOLERANCES (UNLESS SPECIFIED)				PRODUCT CUSTOMER DRAWING	
ANGULAR TOL	± 3.0°	EC NO:	614886	DOCUMENT NUMBER	
4 PLACES	± 0.2	DRWN:	AISHIKAWA 2019/02/18	5013310000-SD	
3 PLACES	± 0.2	CHK'D:	AIDA 2019/04/03	DOC TYPE	DOC PART
2 PLACES	± 0.2	APPR:	KOMURAKAMI 2019/04/05	PSD	000
1 PLACE	± 0.2	INITIAL REVISION:		REVISION	A
0 PLACES	± 0.2	DRWN:	AISHIKAWA 2019/02/18	CUSTOMER	
DRAFT WHERE APPLICABLE MUST REMAIN WITHIN DIMENSIONS		APPR:	KOMURAKAMI 2019/04/05	SEE SHEET 6	
THIRD ANGLE PROJECTION		DRAWING	A3-SIZE	SERIES	501331
MUST REMAIN WITHIN DIMENSIONS		MATERIAL NUMBER	SEE SHEET 6	SHEET NUMBER	
				3 OF 6	

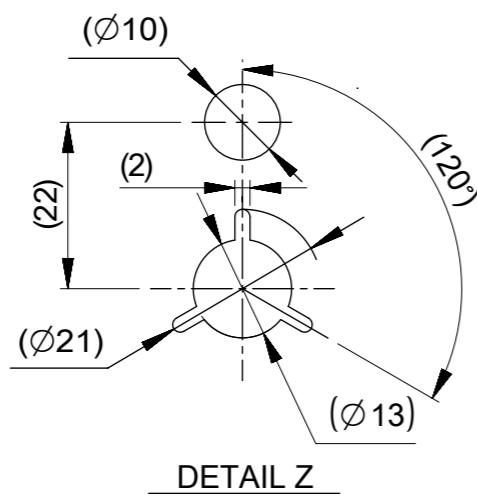


**NOTES**

- 10. 梱包数量:1100個/リール  
NUMBER OF CONNECTORS : 1100 PIECES/REEL
- 11. リードテープ長さ  
LEAD TAPE LENGTH



- 12. トップテープの剥離強度はIEC60286-3に準拠。  
TOP TAPE PEELING FORCE IS DEFINED BY IEC60286-3.
- △13 2~5極品は乾燥剤入り、ハイバリア梱包による納品となります。  
2~5 CIRCUITS IS DELIVERED IN A HIGH BARRIER PACKAGE WITH DESOCCANT.
- 14. 梱包仕様書 : SPK-501331-001  
PACKAGE SPECIFICATION:
- △15 発注番号 : SHEET 6 参照  
ORDER No. : PLEASE REFER TO SHEET 6 FOR PRODUCT LIST.



**501331**    \* \* \* \*

極数 CIRCUIT SIZE	ハウジングカラー HOUSING COLOR	製品識別番号 IDENTIFICATION NUMBER
	0:NATURAL(BEIGE)	7:EMBOSSED PACKAGE

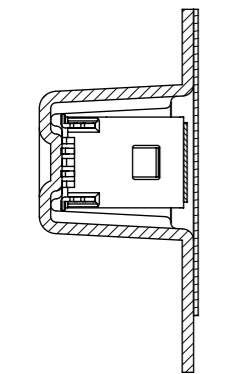
33.4	15
	14
	13
25.4	12
	11
	10
	9
	8
17.5	7
	6
	5
	4
C	3
	2
	極数 CIRCUIT SIZE

番号 NO.	部品 PART	材質 MATERIAL
⑤	リール REEL	ポリスチレン(PS) <リサイクル材を含む> POLYSTYRENE(PS) <RECYCLE MATERIAL CONTAINED>

DOCUMENT STATUS	P1	RELEASE DATE	2019/04/05	01:07:45
-----------------	----	--------------	------------	----------

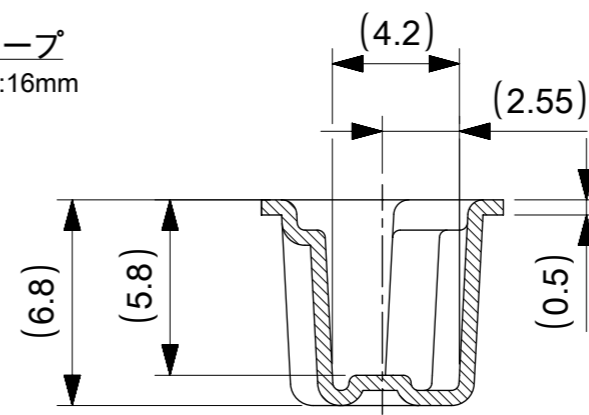
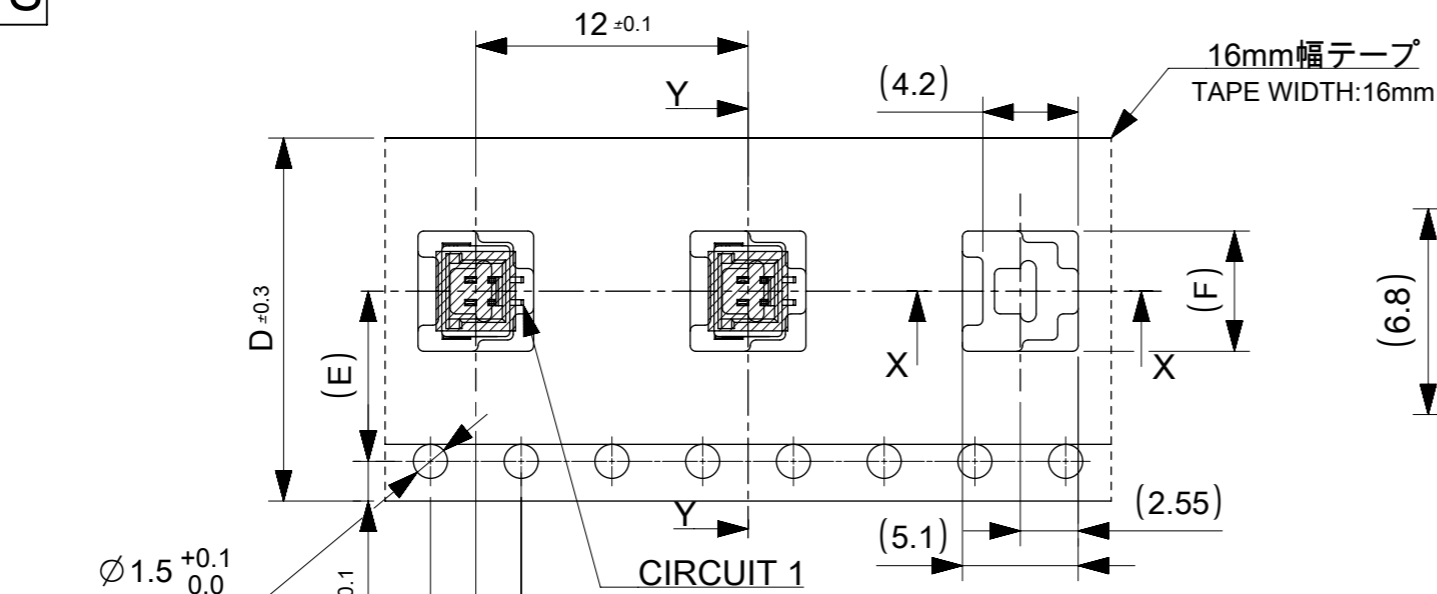
THIS DRAWING CONTAINS INFORMATION THAT IS PROPRIETARY TO MOLEX ELECTRONIC TECHNOLOGIES, LLC AND SHOULD NOT BE USED WITHOUT WRITTEN PERMISSION		CURRENT REV DESC:		<b>molex</b>	
DIMENSION UNITS	SCALE	EC NO: 614886			
mm	NTS	DRWN: AISHIKAWA 2019/02/18		PICO-CLASP 1.0 W/B	
GENERAL TOLERANCES (UNLESS SPECIFIED)		CHK'D: AIDA 2019/04/03		SINGLE ROW VT SMT INNER LOCK TIN PLATING	
ANGULAR TOL	± 3.0 °	APPR: KOMURAKAMI 2019/04/05		PRODUCT CUSTOMER DRAWING	
4 PLACES	± 0.2	INITIAL REVISION:		DOCUMENT NUMBER	
3 PLACES	± 0.2	DRWN: AISHIKAWA 2019/02/18		5013310000-SD	
2 PLACES	± 0.2	APPR: KOMURAKAMI 2019/04/05		DOC TYPE	
1 PLACE	± 0.2	DRAFT WHERE APPLICABLE MUST REMAIN WITHIN DIMENSIONS		PSD	
0 PLACES	± 0.2	THIRD ANGLE PROJECTION		DOC PART	
		DRAWING		000	
		SERIES		REVISION	
		A3-SIZE		A	
		501331		SHEET NUMBER	
		MATERIAL NUMBER		4 OF 6	
		CUSTOMER			
		SEE SHEET 6			

2~5 CIRCUITS

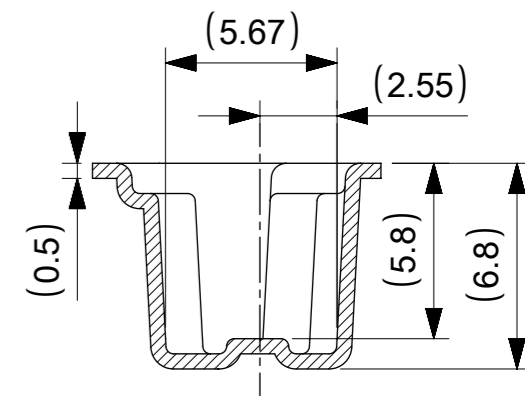


SECTION Y-Y

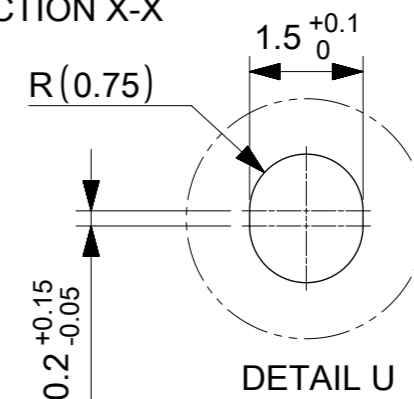
引き出し方向  
PULL OUT DIRECTION



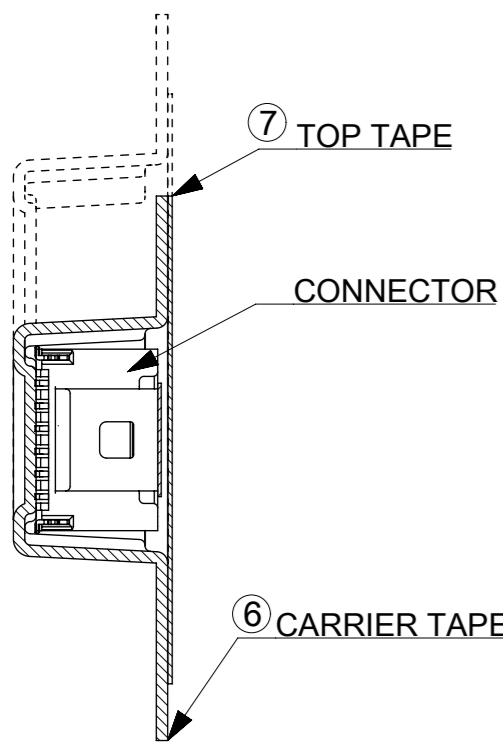
SECTION X-X



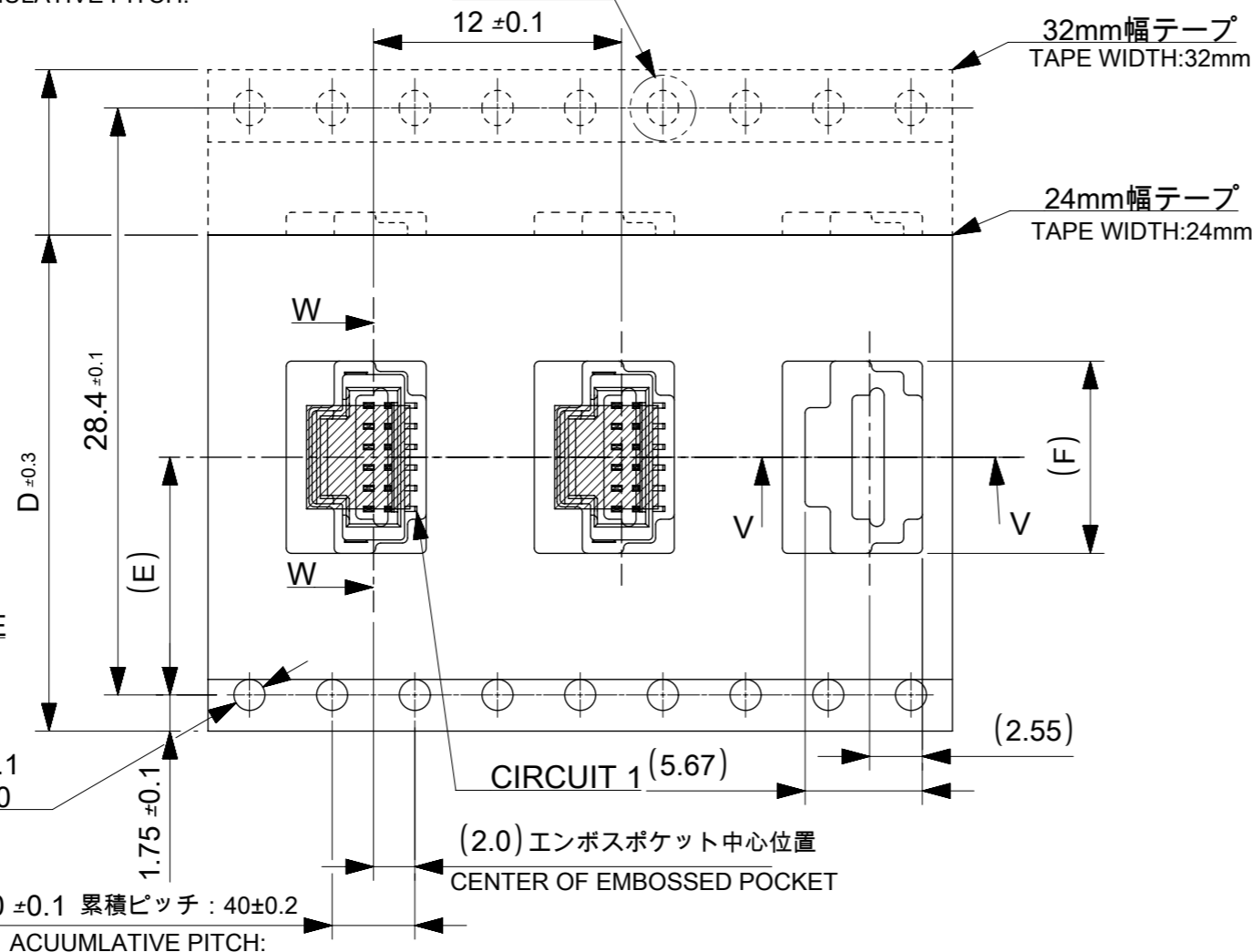
SECTION V-V



6~15 CIRCUITS



SECTION W-W



18.3			15
17.3	14.2	32	14
16.3			13
15.3			12
14.3			11
13.3			10
12.3	11.5	24	9
11.3			8
10.3			7
9.3			6
8.3			5
7.3	7.5	16	4
6.3			3
5.3			2
F	コネクタ中心位置 E SENER OF CONNECTOR	エンボステープ幅 D WIDTH OF TAPE	極数 CIRCUIT SIZE

番号 NO.	部品 PART	材質 MATERIAL
⑥	キャリアテープ CARRIER TAPE	ポリプロピレン(PP)、その他 POLYPROPYLEN(PP), etc
⑦	トップテープ TOP TAPE	ポリエチレン(PE)、その他 POLYETHYLENE(PE), etc

DOCUMENT STATUS	P1	RELEASE DATE	2019/04/05	01:07:45
-----------------	----	--------------	------------	----------

THIS DRAWING CONTAINS INFORMATION THAT IS PROPRIETARY TO MOLEX ELECTRONIC TECHNOLOGIES, LLC AND SHOULD NOT BE USED WITHOUT WRITTEN PERMISSION

SCALE: mm NTS

GENERAL TOLERANCES (UNLESS SPECIFIED):

ANGULAR TOL ± 3.0°

4 PLACES ± 0.2

3 PLACES ± 0.2

2 PLACES ± 0.2

1 PLACE ± 0.2

0 PLACES ± 0.2

DRIFT WHERE APPLICABLE MUST REMAIN WITHIN DIMENSIONS

THIRD ANGLE PROJECTION

DRAWING: A3-SIZE

SERIES: 501331

MATERIAL NUMBER: SEE SHEET 6

CUSTOMER: 5013310000-SD

DOC TYPE: PSD

DOC PART: 000

REVISION: A

SHEET NUMBER: 5 OF 6

CURRENT REV DESC:

EC NO: 614886

DRWN: AISHIKAWA 2019/02/18

CHK'D: AIDA 2019/04/03

APPR: KOMURAKAMI 2019/04/05

INITIAL REVISION:

DRWN: AISHIKAWA 2019/02/18

APPR: KOMURAKAMI 2019/04/05

PRODUCT CUSTOMER DRAWING

**molex**

PICO-CLASP 1.0 W/B  
SINGLE ROW VT SMT INNER LOCK TIN PLATING

9 8 7 6 5 4 3 2 1

E

E

D

D

C

C

B

B

A

A

△13 △15 製品一覧 PRODUCT LIST

HOUSING COLOR		
NATURAL(BEIGE)		
501331	1507	15
△	1407	14
	1307	13
	1207	12
	1107	11
	1007	10
	0907	9
	0807	8
	0707	7
	0607	6
	0507	5
	0407	4
▽	0307	3
501331	0207	2
発注番号 ORDER No.		極数
梱包形態：エンボスリール		CIRCUIT SIZE
PACKAGE:EMBOSSSED REEL		

THIS DRAWING CONTAINS INFORMATION THAT IS PROPRIETARY TO MOLEX ELECTRONIC TECHNOLOGIES, LLC AND SHOULD NOT BE USED WITHOUT WRITTEN PERMISSION									
DIMENSION UNITS		SCALE		CURRENT REV DESC:				<b>molex</b>	
mm		NTS							
GENERAL TOLERANCES (UNLESS SPECIFIED)				EC NO: 614886				PICO-CLASP 1.0 W/B	
ANGULAR TOL ± 3.0 °				DRWN: AISHIKAWA 2019/02/18				SINGLE ROW VT SMT INNER LOCK TIN PLATING	
4 PLACES ± 0.2				CHK'D: AIDA 2019/04/03					
3 PLACES ± 0.2				APPR: KOMURAKAMI 2019/04/05				PRODUCT CUSTOMER DRAWING	
2 PLACES ± 0.2				INITIAL REVISION:				DOCUMENT NUMBER	
1 PLACE ± 0.2				DRWN: AISHIKAWA 2019/02/18				5013310000-SD	
0 PLACES ± 0.2				APPR: KOMURAKAMI 2019/04/05				DOC TYPE	
DRAFT WHERE APPLICABLE MUST REMAIN WITHIN DIMENSIONS				THIRD ANGLE PROJECTION		DRAWING		SHEET NUMBER	
				A3-SIZE		SERIES		CUSTOMER	
				A3-SIZE		501331		SEE SHEET 6	

DOCUMENT STATUS	P1	RELEASE DATE	2019/04/05	01:07:45
-----------------	----	--------------	------------	----------

9 8 7 6 5 4 3 2 1

FORMAT: master-ib-prod-A3  
REVISION: 11  
DATE: 2018/01/18

紫 VIOLET	橙 ORANGE	茶 BROWN	緑 GREEN	青 BLUE	黄 YELLOW	赤 RED	色 COLOR	
501331-0597	501331-0587	501331-0577	501331-0567	501331-0547	501331-0537	501331-0527	5	501331-***7
501331-0497	501331-0487	501331-0477	501331-0467	501331-0447	501331-0437	501331-0427	4	
501331-0397	501331-0387	501331-0377	501331-0367	501331-0347	501331-0337	501331-0327	3	
501331-0297	501331-0287	501331-0277	501331-0267	501331-0247	501331-0237	501331-0227	2	
PLASTIG BAG PACKAGE オーダー番号 ORDER NO.	PLASTIG BAG PACKAGE オーダー番号 ORDER NO.	PLASTIG BAG PACKAGE オーダー番号 ORDER NO.	PLASTIG BAG PACKAGE オーダー番号 ORDER NO.	PLASTIG BAG PACKAGE オーダー番号 ORDER NO.	PLASTIG BAG PACKAGE オーダー番号 ORDER NO.	PLASTIG BAG PACKAGE オーダー番号 ORDER NO.	PKT.	CONNECTOR SERIES NO.

白 WHITE		色 COLOR	
501331-0507	5	501331-**07	
501331-0407	4		
501331-0307	3		
501331-0207	2		
PLASTIG BAG PACKAGE オーダー番号 ORDER NO.	PKT.	CONNECTOR SERIES NO.	

<b>REVISED</b> EC NO: J2014-1558 DRW: RHORI 2014/04/15 CHK: KASAKAWA 2014/04/15 APPR: NUKITA 2014/04/16	GENERAL TOLERANCES (UNLESS SPECIFIED)		DIMENSION STYLE <b>MM ONLY</b>		SCALE ---	DESIGN UNITS <b>METRIC</b>	THIRD ANGLE PROJECTION		
	10 UNDER	±0.2	DRAWN BY RHORI		DATE 2014/04/15		TITLE <b>1.0 WIRE TO BOARD CONN.                  WAFER ASS'Y (1-ROW S/T)                  EMBSTP PKG</b>		
	10 OVER 30 UNDER	±0.25	CHECKED BY KASAKAWA		DATE 2014/04/15				
	30 OVER	±0.3	APPROVED BY NUKITA		DATE 2014/04/16				
	ANGULAR ±1 °		MATERIAL NO.		DOCUMENT NO.		SHEET NO.		
DRAFT WHERE APPLICABLE MUST REMAIN WITHIN DIMENSIONS		SEE TABLE		SD-501331-003		3 OF 3			
		SIZE <b>A3</b>		THIS DRAWING CONTAINS INFORMATION THAT IS PROPRIETARY TO MOLEX INCORPORATED AND SHOULD NOT BE USED WITHOUT WRITTEN PERMISSION					