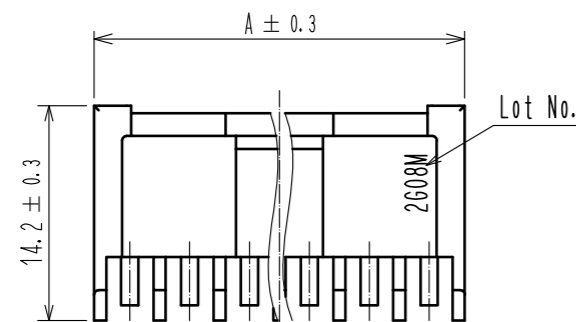
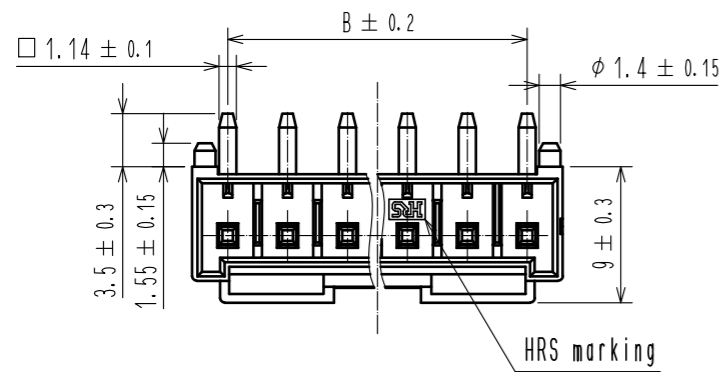
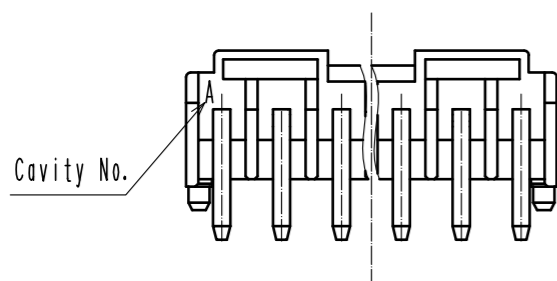


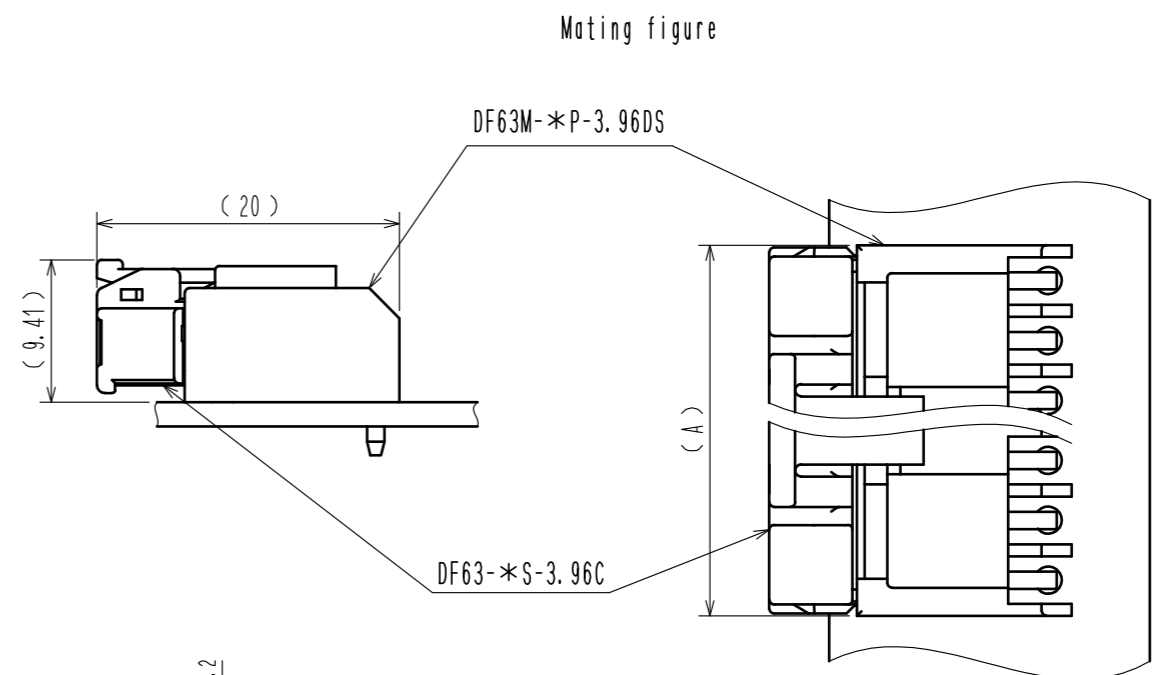
Dec.1.2021 Copyright 2021 HIROSE ELECTRIC CO., LTD. All Rights Reserved.  
In case of consideration for using Automotive equipment / device which demand high reliability, kindly contact our sales window correspondents.



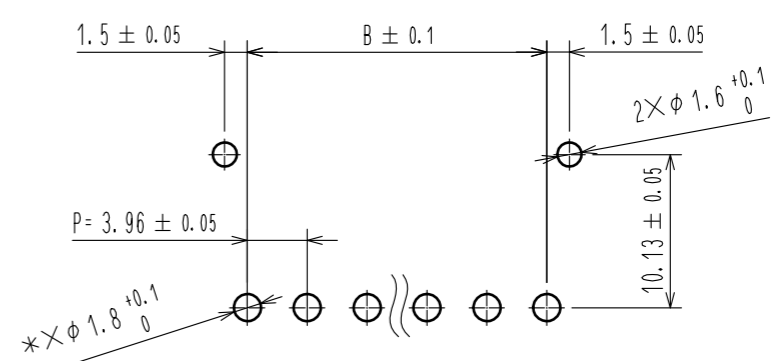
Contact No.1 marking



HRS DRAWING FOR REFERENCE



Recommended pattern(FREE)  
(Recommended board thickness t=1.6mm)



| Part Number     | HRS No.    | Number of Contact(*) | A     | B    |
|-----------------|------------|----------------------|-------|------|
| DF63M-1P-3.96DS | 680-0570-0 | 1                    | 6.2   | —    |
| DF63M-2P-3.96DS | 680-0571-0 | 2                    | 8.66  | 3.96 |
| DF63M-3P-3.96DS | 680-0572-0 | 3                    | 12.62 | 7.92 |

Note 1. Per pack : 100 pieces.  
2. The dimension in parenthesis are for reference.  
3. UL(FIle No. E52653)  
C-UL(Fie No. E52653)  
TUV(Certificate No. R50318850) authorization article.



|                                  |          |                  |            |  |                          |
|----------------------------------|----------|------------------|------------|--|--------------------------|
| 1                                | PBT      | UL94V-0(BLACK)   | 2          | Brass                                      | Tin plating 1μm MIN      |
| NO.                              | MATERIAL | FINISH . REMARKS | NO.        | MATERIAL                                   | FINISH . REMARKS         |
| UNITS<br>mm                      |          | SCALE<br>2 : 1   | COUNT<br>1 | DESCRIPTION OF REVISIONS<br>DIS-H-00004240 | DESIGNED<br>TS. KUMAZAWA |
| APPROVED : HS. OKAWA 20170915    |          |                  |            | DESIGNED                                   | CHECKED                  |
| CHECKED : TS. FUKUSHIMA 20170915 |          |                  |            | DATE                                       | 20180925                 |
| DESIGNED : HT. SATO 20170915     |          |                  |            | DRAWING NO.                                | EDC-378594-00-00         |
| DRAWN : MI. SAKIMURA 20170915    |          |                  |            | PART NO.                                   | DF63M-*P-3.96DS          |
| HRS HIROSE ELECTRIC CO., LTD.    |          |                  |            | CODE NO.                                   | CL680-                   |