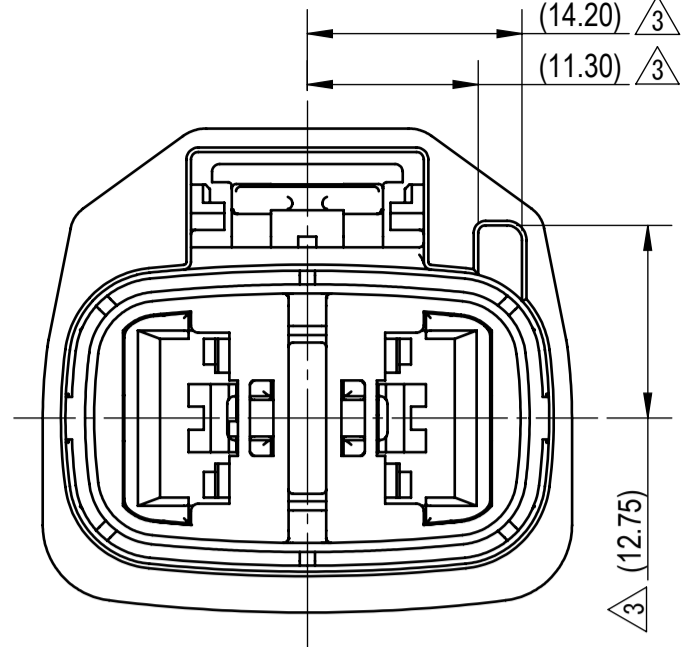
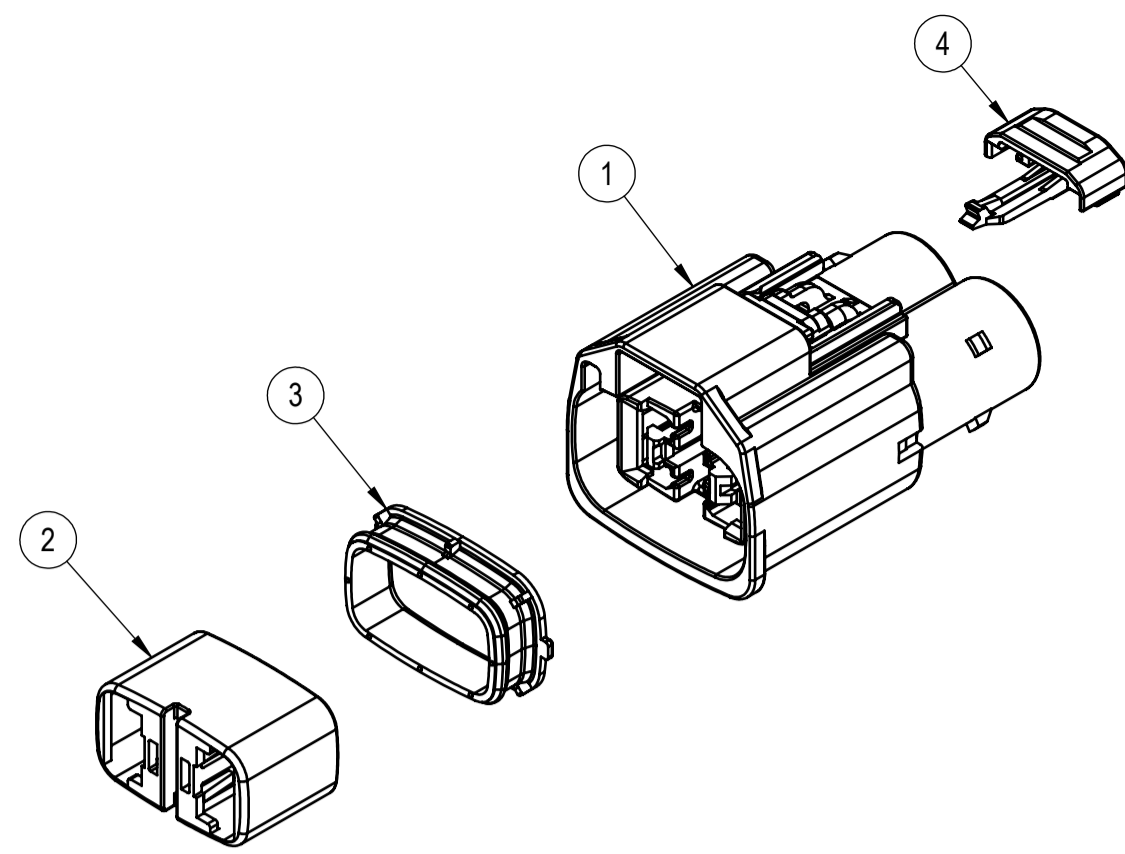


KEYWAY A



KEYWAY B

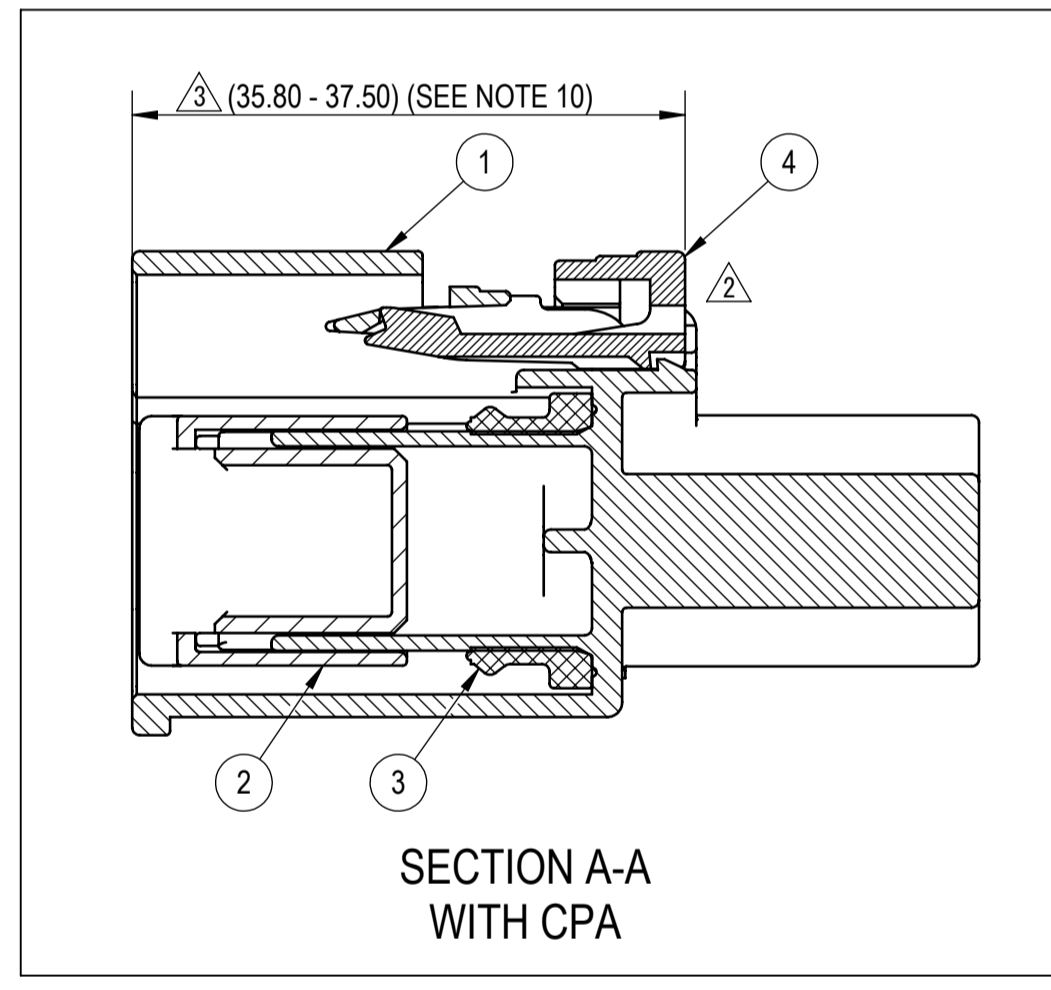
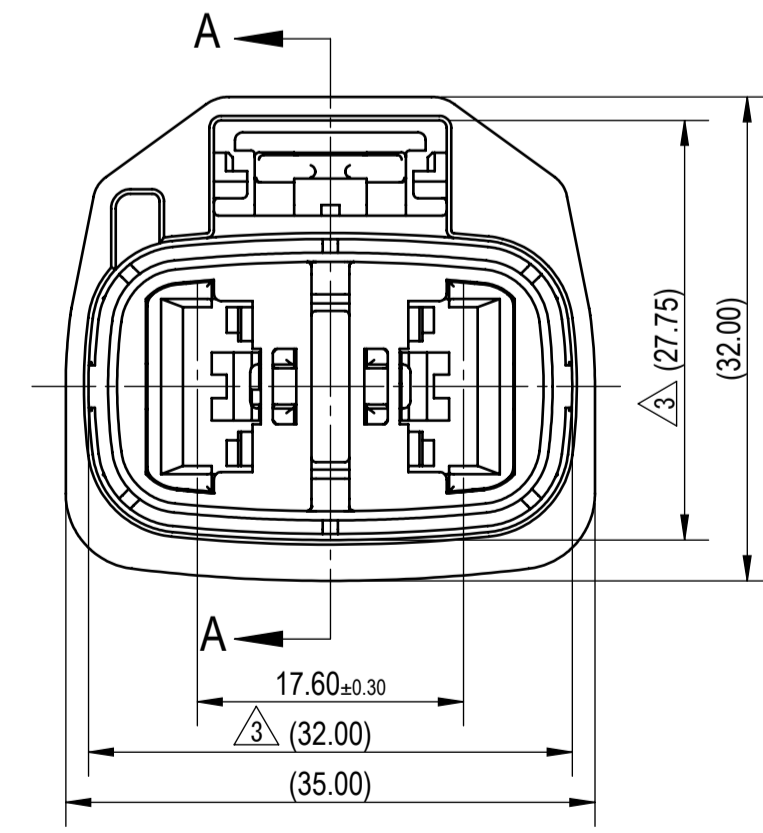
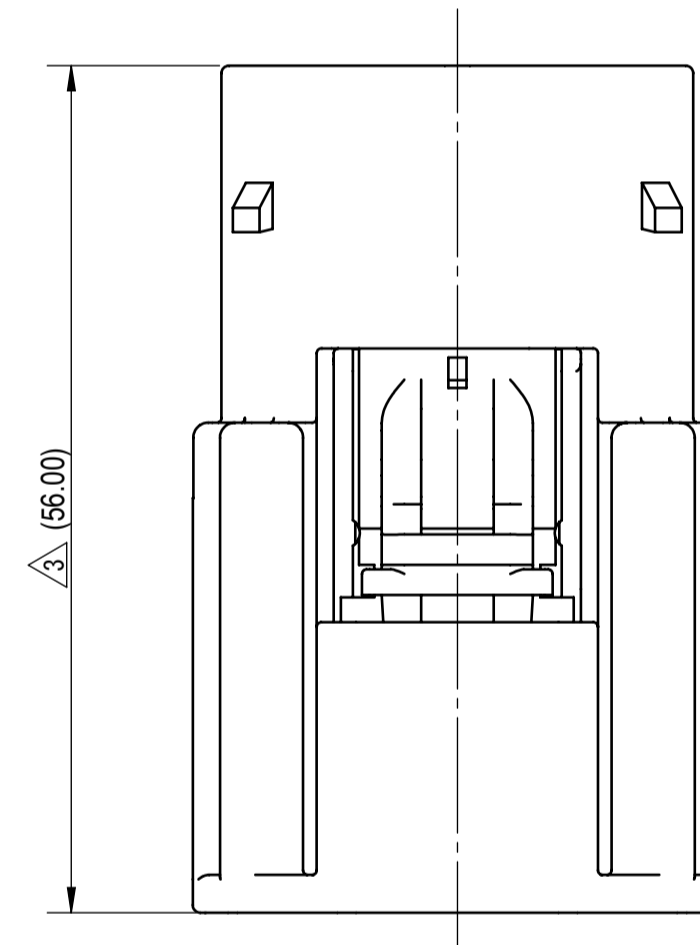
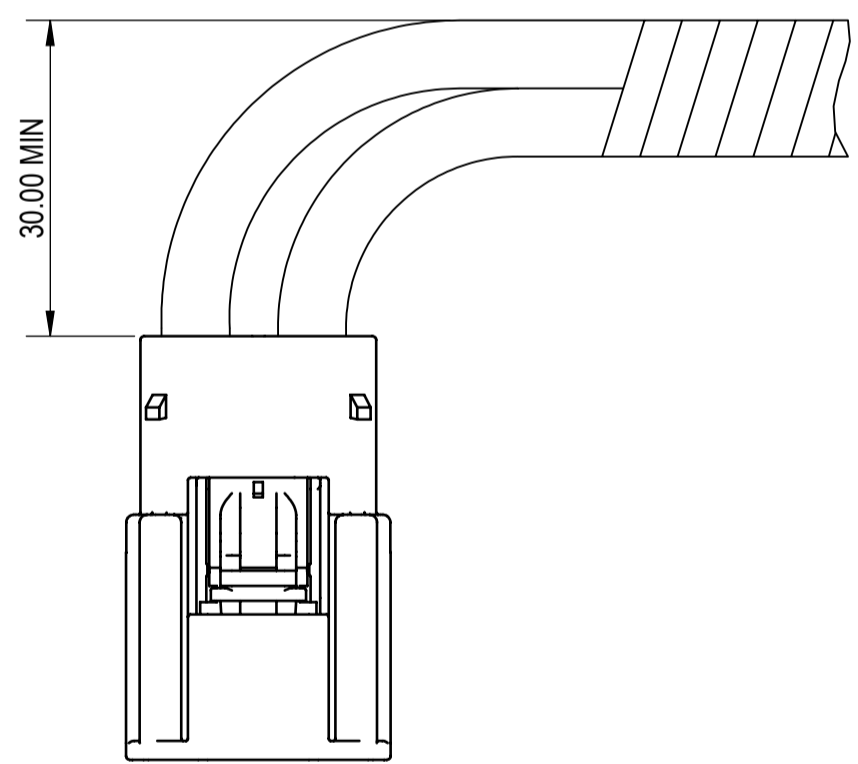
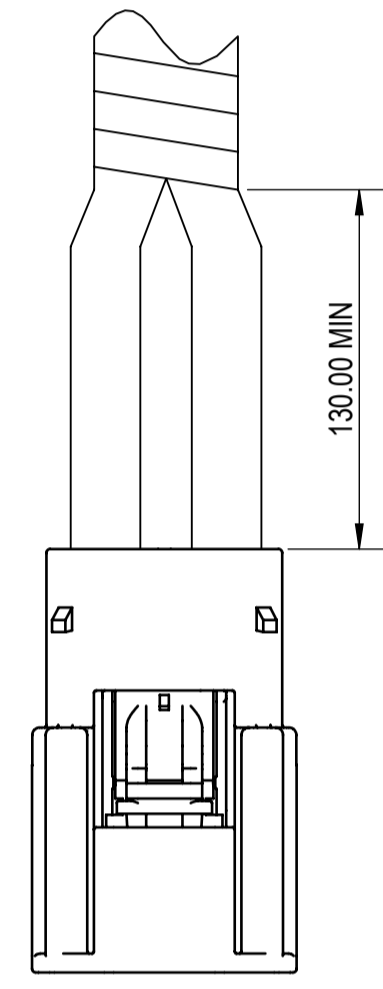


EXPLODED VIEW (1/1)

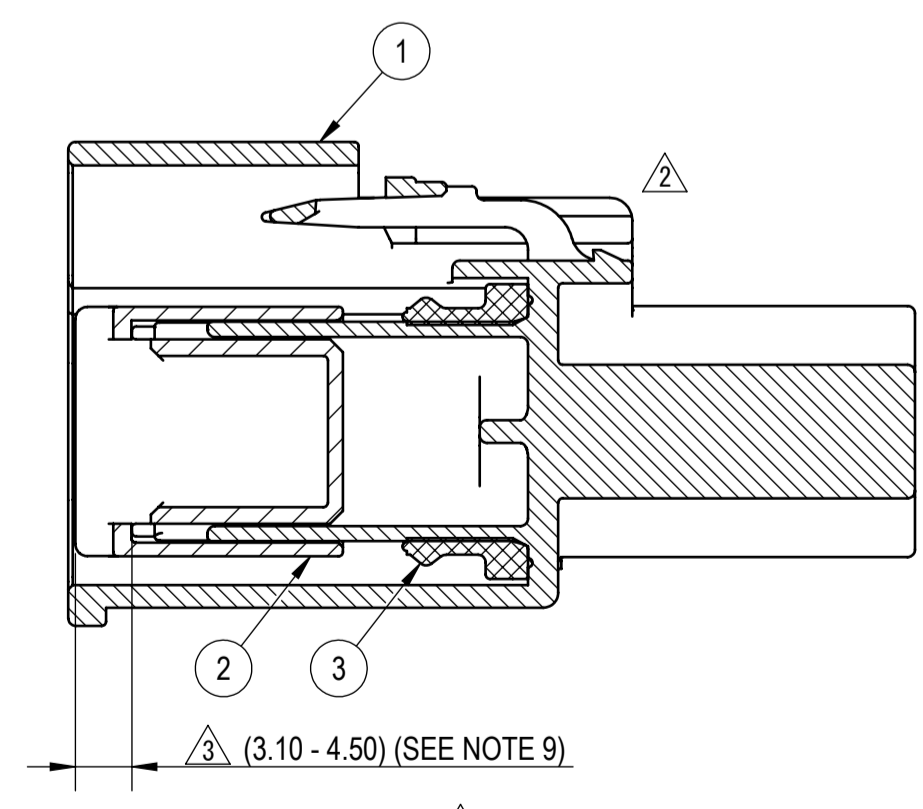
SUB-ASSEMBLY PART NUMBER	NO.	PART NUMBER	PART NAME	MATERIAL	COLOR	QUANTITY
SEE TABLE 2	①	SEE TABLE 2	2P 9.5mm SEALED FEMALE CONNECTOR HOUSING	PBT-GF15	SEE TABLE 2	1
	②	7172-0241	2P 9.5mm SEALED FEMALE CONNECTOR TPA	PBT-GF15	NATURAL	1
	③	7137-2297-50	2P 9.5mm SEALED CONNECTOR INTERFACE SEAL	SILICONE	RED	1
SEE TABLE 2	①	SEE TABLE 2	2P 9.5mm SEALED FEMALE CONNECTOR HOUSING	PBT-GF15	SEE TABLE 2	1
	②	7172-0241	2P 9.5mm SEALED FEMALE CONNECTOR TPA	PBT-GF15	NATURAL	1
	③	7137-2297-50	2P 9.5mm SEALED CONNECTOR INTERFACE SEAL	SILICONE	RED	1
	④	7158-7080-50	CONNECTOR SECONDARY LOCK (CPA)	HPA	RED	1

SUB-ASSEMBLY PART NUMBER	HOUSING PART NUMBER	KEYWAY	CPA	COLOR	MASS (g)
7287-1991-30	7187-1990-30	A	N	BLACK	(22.10)
7287-1990-30	7187-1990-30	A	Y	BLACK	(22.85)
7287-1993-40	7187-1992-40	B	N	LIGHT GRAY	(22.10)
7287-1992-40	7187-1992-40	B	Y	LIGHT GRAY	(22.85)

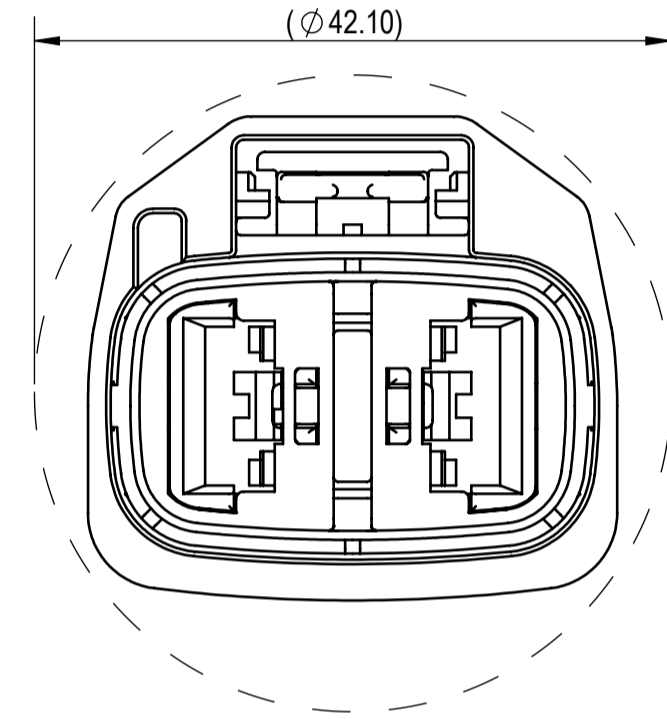
TAPING RECOMMENDATION (1/1)



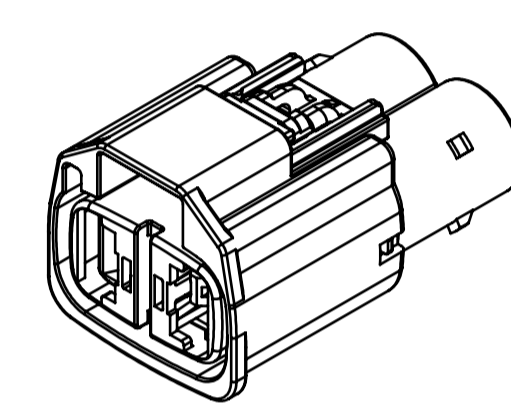
SECTION A-A WITH CPA



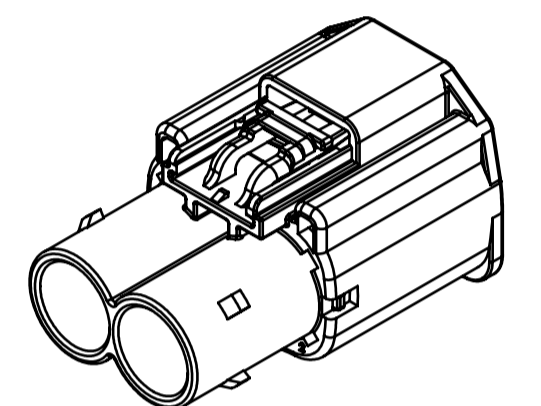
SECTION A-A



RECOMMENDED PASS-THROUGH HOLE DIMENSION (1mm CLEARANCE ALL AROUND) (2/1)



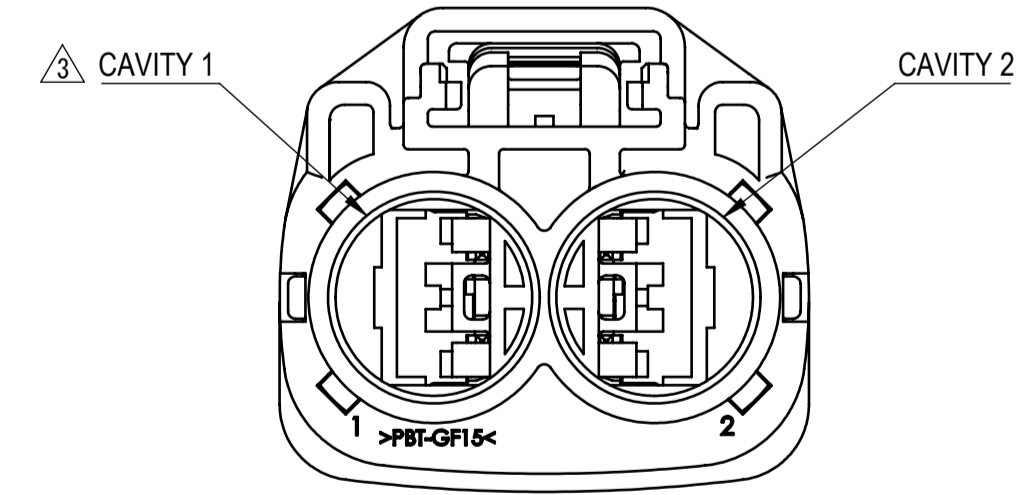
FRONT ISOMETRIC VIEW (1/1)



REAR ISOMETRIC VIEW (1/1)

NOTES:

- PARTS MUST BE PURCHASED FROM YAZAKI.
- PARTS MUST BE FREE OF FLASH AND IMPERFECTIONS THAT AFFECT FUNCTION.
- APPLICABLE TERMINAL: SEE 7116-5625-02:R DRAWING (YPT SEALED)(4mm² - 16mm²)(PREFERRED)
MAX WIRE OD: 8.30mm
MIN WIRE OD: 3.40mm
SEE 7116-3285-02:R DRAWING (Y-TYPE SEALED)(10mm²)
MAX WIRE OD: 6.50mm
MIN WIRE OD: 5.50mm
SEE 7116-3250:R DRAWING (Y-TYPE SEALED)(4mm² - 8mm²)
MAX WIRE OD: 5.00mm
MIN WIRE OD: 3.40mm
- APPLICABLE WIRE SEAL: SEE 7158-3034-50:R DRAWING (Y-TYPE SEALED)
SEE 7158-3672-50:R DRAWING (YPT SEALED)
VENDOR NO. SEE 7157-3583:R DRAWING
- APPLICABLE CAVITY PLUG: SEE 7287-1991-30:A
- MATING PART NUMBER: SEE 7287-1991-30:A
- PARTS SATISFIES USCAR-2, REV. 4, NOVEMBER 2004, (T3V/2/S2/MF3), WITH THE FOLLOWING EXCEPTIONS:
USCAR 5.4.1 TERMINAL INSERTION FORCE (6 AWG WIRE) = 36N MAX.
- PARTS TO COMPLY WITH YPES-31-038 REQUIREMENTS.
- THIS DIMENSION SHOWS THE PRE-SET POSITION OF THE TPA.
- THIS DIMENSION SHOWS THE PRE-SET POSITION OF THE CPA.
- THIS DRAWING IS TO BE USED FOR INTERNAL YAZAKI PSW SUBMISSION.
- HANDLING MANUAL NUMBER: YPES-15-1204E
- CONNECTOR IS CAPABLE OF ACCEPTING A DRESS COVER.



DATE	REVISION RECORD	NO.	CHKD
03-27-2019	UPDATED TO LATEST STANDARDS, ADDED AND REMOVED DIMENSIONS, ADDED VIEWS	C19-A304	HAP
11-01-2010	REVISE SHAPE	C10-A810	MMR
04-09-2009	REVISE NOTE	C09-A284	MMR
02-22-2008	NEW	C08-A434	DCH

GENERAL TOLERANCE										
	10MAX	50MAX	100MAX	250MAX	250OVR	R5 MAX	R10 MAX	R20 MAX	R20 OVR	ANGLE
A	±0.15	±0.20	±0.30	±0.50	±0.75					±3°
B	±0.20	±0.30	±0.55	±0.95	±1.40	±0.20	±0.30	±0.50	±2.50	±3°
C	±0.30	±0.50	±0.80	±1.40	±2.00					±3°

CUSTOMER		CUSTOMER DWG NO.		MTRL SPEC.		TREAT. & FIN.	
CUSTOMER PART NO.		CUSTOMER DWG NO.		SEE TABLE		N/A	
OFFICE YNA		TRIAL PART NO.		NAME			
				2P 9.5mm SEALED FEMALE CONNECTOR SUB-ASSEMBLY			
VENDOR		VENDOR NO.		PART NO.		CH. CODE	
				7287-1991-30, ETC.			
				DWG NO.		7287-1991-30:R	
				YAZAKI CORPORATION			

Mouser Electronics

Authorized Distributor

Click to View Pricing, Inventory, Delivery & Lifecycle Information:

[Yazaki:](#)

[7287199030](#)