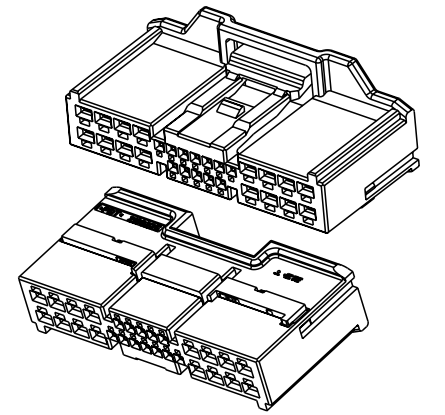
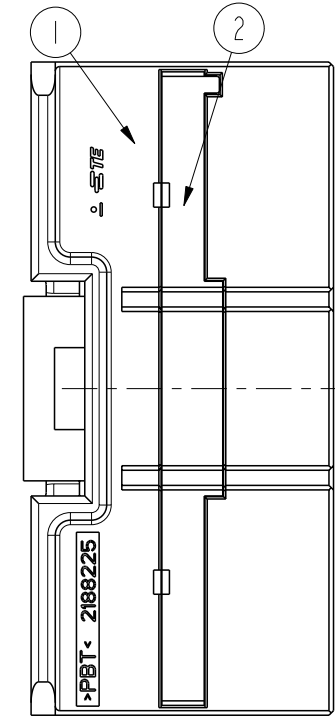
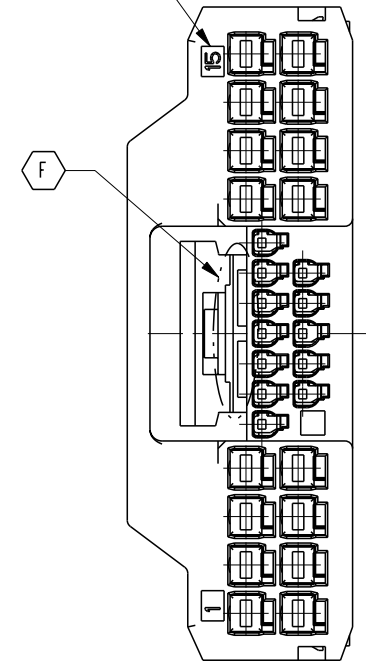
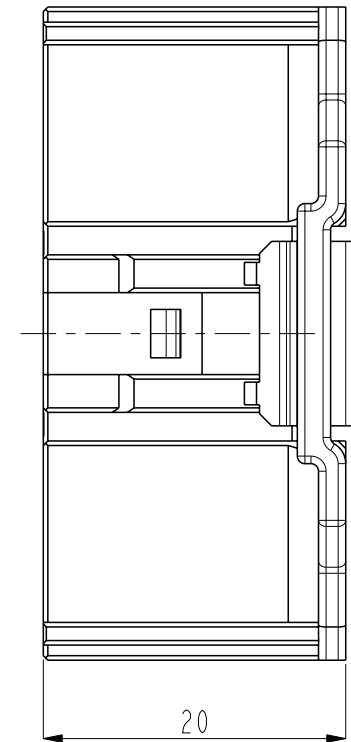
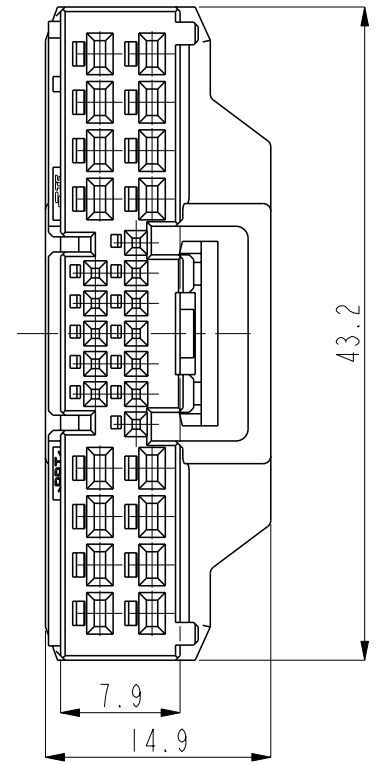


THIS DRAWING IS UNPUBLISHED. RELEASED FOR PUBLICATION 20  
 © COPYRIGHT 20 BY - ALL RIGHTS RESERVED.

REVISIONS

P	LTR	DESCRIPTION	DATE	DWN	APVD
F		REVISED (ECR-21-107114)	12JUL'21	BH	YJ

CIRCUIT NUMBER.



SCALE 1:1

F F F F E E F F F F

ASS'Y P/N	DESCRIPTION
7-2188225-7	28P PLUG ASS'Y(D2)
6-2188225-5	28P PLUG ASS'Y(D1)
5-2188225-6	28P PLUG ASS'Y(C2)
4-2188225-8	28P PLUG ASS'Y(C1)
3-2188225-4	28P PLUG ASS'Y(B2)
2-2188225-3	28P PLUG ASS'Y(B1)
3-2188225-2	28P PLUG ASS'Y(B2)
2-2188225-1	28P PLUG ASS'Y(B1)
1-2188225-2	28P PLUG ASS'Y(A2)
2188225-1	28P PLUG ASS'Y(A1)

P/NO	2188225-1	1-2188225-2	2-2188225-1	3-2188225-2	4-2188225-8	5-2188225-6	6-2188225-5	7-2188225-7
TYPE	A1	A2	B1	B2	C1	C2	D1	D2
SHAPE								

NO	COLOR	MATERIAL	DESCRIPTION	Q'TY
2	BLACK	PBT	DBL HSG	-
	NATURAL	PBT	DBL HSG	-
1	GREEN	PBT	28P PLUG HSG(D2)	-
	YELLOW	PBT	28P PLUG HSG(D1)	-
	RED	PBT	28P PLUG HSG(C2)	-
	BLUE	PBT	28P PLUG HSG(C1)	-
	BROWN	PBT	28P PLUG HSG(B2)	-
	GRAY	PBT	28P PLUG HSG(B1)	-
	BLACK	PBT	28P PLUG HSG(B2)	-
	NATURAL	PBT	28P PLUG HSG(B1)	-
	BLACK	PBT	28P PLUG HSG(A2)	-
	NATURAL	PBT	28P PLUG HSG(A1)	-

TABLE. 1

POS.	CIRCUIT NO.	REC P/N	WIRE RANGE	INSULATION DIAMETER
12	5-11 20-24	2219299-1	0.22-0.35	0.95-1.5
16	1-4 12-19 25-28	2109006-1	0.22-0.35	1.0-1.5
		2109006-2	0.5-0.75	1.4-1.9
		2109006-3	0.85-1.25	1.8-2.4

- NOTE
- GENERAL TOL : ±0.3, ±2.0°
  - CONDITION OF DELIVERY : DBL IN 1st LOCKING POSITION.
  - REFER TO TABLE.1 FOR INFORMATION OF REC.
  - THE MATING HEADER ASS'Y P/N: X-2188220-X
  - .020 TERMINAL REVERSE INSERTION FORCE : Min1.5kgf

THIS DRAWING IS A CONTROLLED DOCUMENT.

DIMENSIONS: mm	TOLERANCES UNLESS OTHERWISE SPECIFIED:
	0 PLC ± 1 PLC ±0.1 2 PLC ±0.01 3 PLC ±0.001 4 PLC ±0.0001 ANGLES ±
MATERIAL	FINISH
-	-

DWN YJ KIM  
 CHK DG JEONG  
 APVD KT LIM  
 PRODUCT SPEC  
 APPLICATION SPEC  
 WEIGHT -

**STE** TE Connectivity

NAME 020/060 28P PLUG ASS'Y

SIZE A3 CAGE CODE - DRAWING NO C-2188225 RESTRICTED TO -

CUSTOMER DRAWING SCALE 1:1 SHEET 1 OF 1 REV F

printed on 9 Aug 2021 10:31 ( ) from TE152939