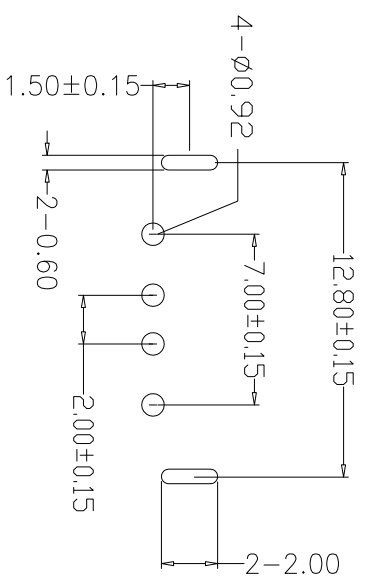
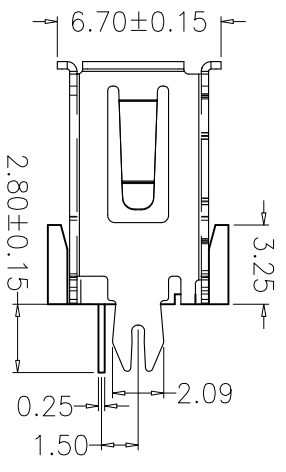
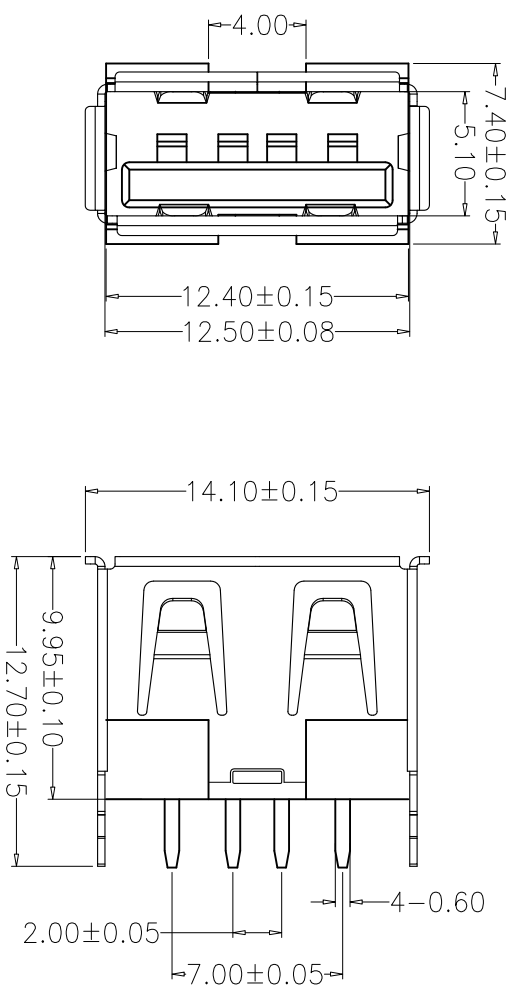


目錄 MAPX	變更內容 MODIFICATION	日期 DATE



NOTES:

Housing: Thermoplastics, UL94V-0

Contact: Copper Alloy

Shell: Copper Alloy/Steel

Voltage Current Rating: 1.5 AMP. 30V AC

Insulation Resistance: 1000M $\Omega$  Min.

Contact Resistance: 30 M $\Omega$  Max.

Dielectric Withstanding Voltage: 500W AC

Temperature Range: -35°C to +85°C

Insulator color: Black/White

Plastic material: PBT/LCP/Others

Shell finish: Nickel plated/Tin-Lead plated

Mechanical:

Mating Force: 3.5KG MAX

Umating Force: 0.7 KG MIN.

Contact finish:

01: Selective Gold Flash

02: Selective Gold 3U"

03: Selective Gold 5U"

04: Selective Gold 15U"

05: Selective Gold 30U"

产品图  
PRODUCT CHART DWG

深圳市精拓金电子有限公司

公差一览表 TOLERANCE UNLESS OTHERWISE		单位 UNITS	制图 DRAWING	产品料号 PRODUCT PART NO.
X	±0.25	MM	Z-V-B	916-352A1014Y10200
X	±0.20	MM	审核 CHECK	产品名称 PRODUCT NAME
XX	±0.15	MM	核准 APPRO	AF10.0短体180度鱼叉脚有边铜壳PBT白胶
.XXX	±0.10	MM	日期 DATE	角法 VIEW
			2013.05.10	版本 VERS
				A0