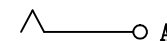
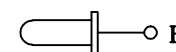
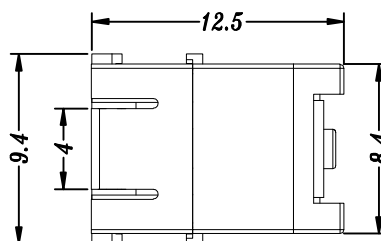
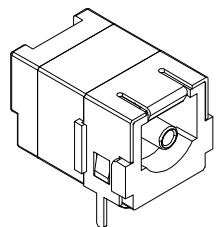
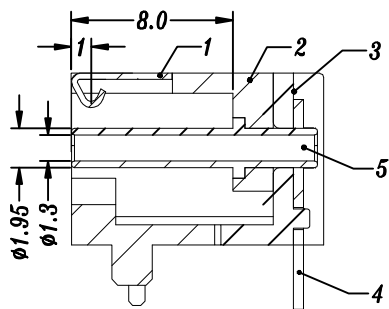
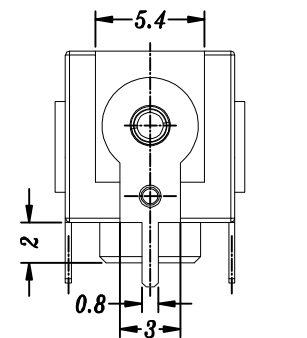
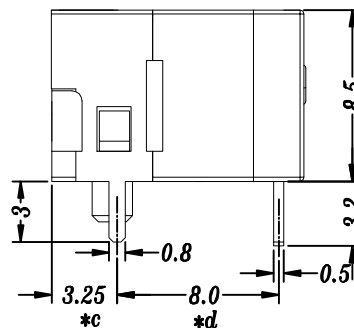
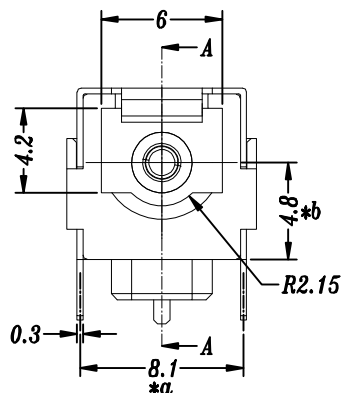


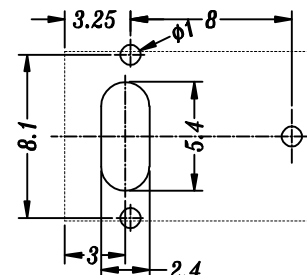
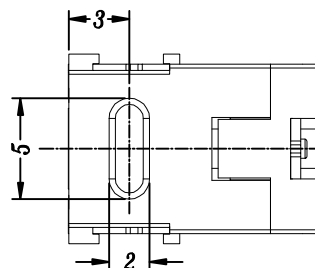
HOOYA



SCHEMATIC



AVEW: A-A



P.C.B LAYOUT

					TOLERANCE UNLESS SPECIFIED							
					UP TO 5mm: ±0.1	ANGULAR ±1°	A0	2019.03.05	首次发行		GYW	
					ABOVE 5mm: ±0.2		NO	DATE	REVISIONS		BY	APPD
5	PLUG PIN	BRASS	1	Ni PLATED	TITLE:DC JACK			UNIT : MM	ROHS COMPLIANT	DWN		
4	TERMINAL	BRASS C2680-EH	1	Ag PLATED	MODEL:DC-532			SCALE: 3:1		CHK'D		
3	COVER	PA66+30%GF	1	BLACK	HOOYA ELECTRONIC CO. LTD 皓宇电子有限公司					APPD		
2	CASE	PA66+30%GF	1	BLACK								
1	SPRING TERMINAL	PBS C5210-EH	1	Ag PLATED								
NO.	PART NAME	MATERIAL	QTY	FINISHING						PRO.AGL:		REV :A0