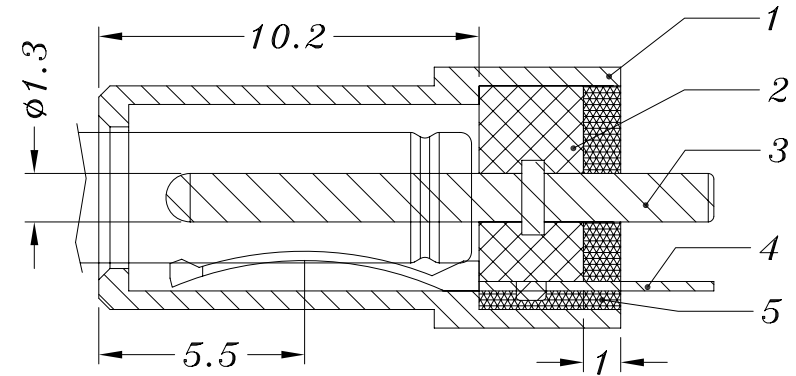
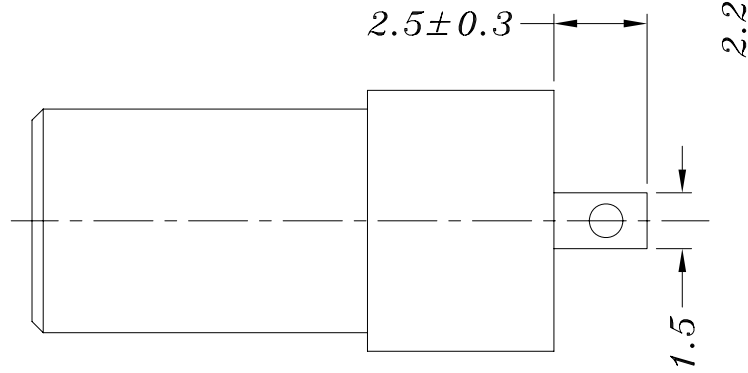


P.C.B LAYOUT



					TOLERANCE UNLESS SPECIFIED								
					UP TO 5mm: ±0.1	ANGULAR	1	2015.7.6	初版		LIUFZ		
					ABOVE 5mm: ±0.2	±1°	NO	DATE	REVISIONS		BY	APPD	
5	GLUE				TITLE: DC JACK			UNIT : MM	ROHS COMPLIANT	DWN			
4	SPRING	PBS	1	Au PLATED	MODEL: DC-083S			SCALE: 5:1		CHK'D			
3	PING	BRASS	1	Au PLATED	<b>HAOYU(HONGKONG)LIMITED</b> 皓宇(香港)有限公司							APPD	
2	COVER	PA66+F.G30%	1	BLACK								PRO.AGL:	
1	CASE	BRASS	1	Ni PLATED									
NO.	PART NAME	MATERIAL	QTY	FINISHING									