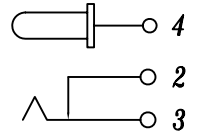


HAOYU

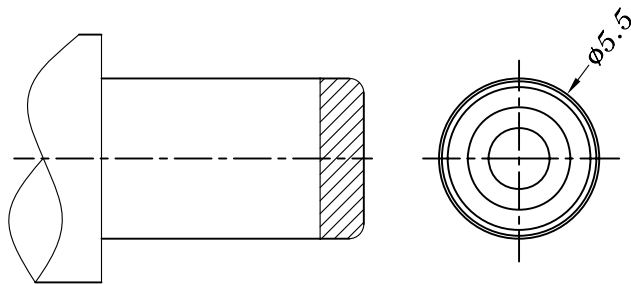
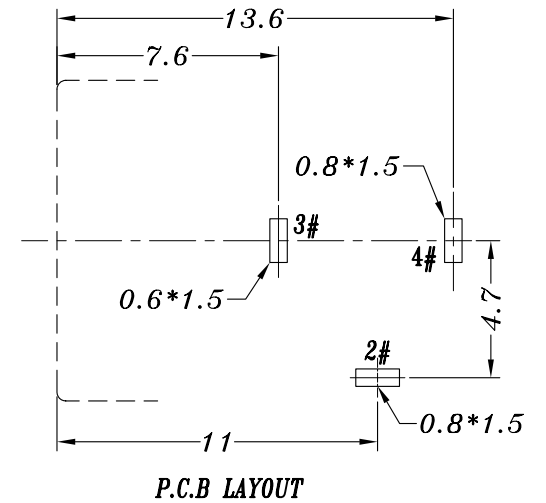
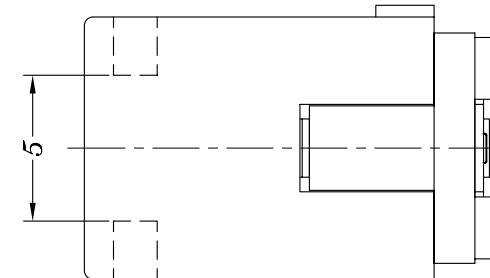
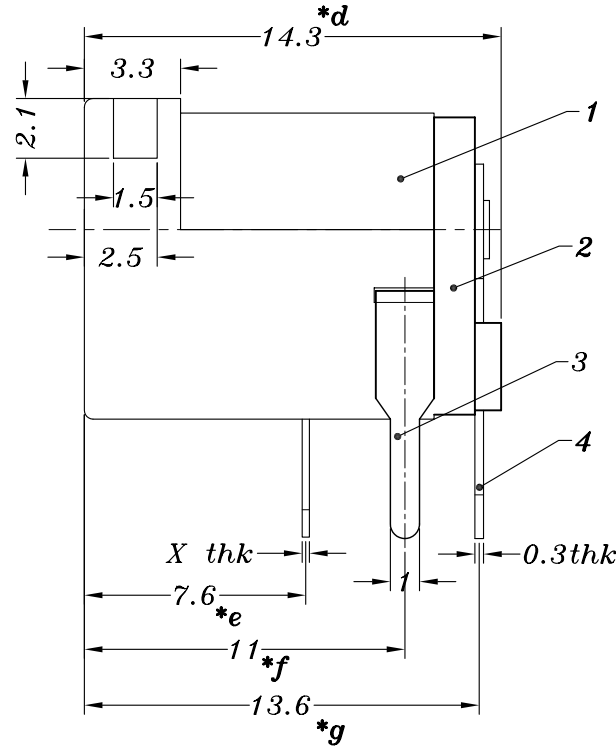
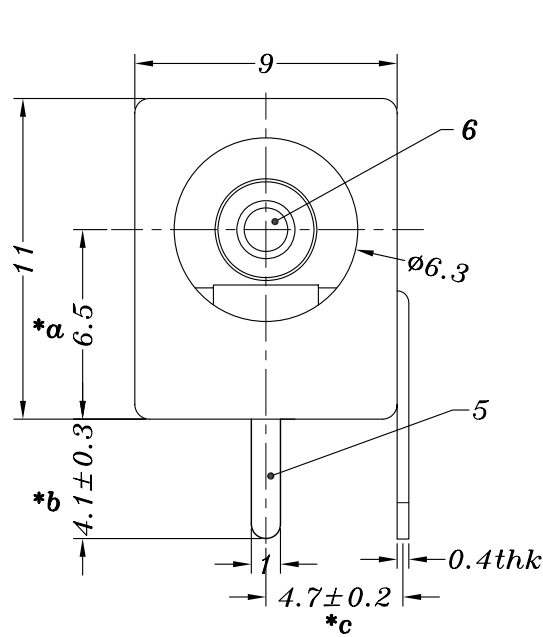
DC-005LB



SCHEMATIC

PIN	Ø2.0	Ø2.5
APPD.		

MATAL	X
SUS	0.2mm
PBS	0.25mm



MATING PLUG

				TOLERANCE UNLESS SPECIFIED							
NO.	PART NAME	MATERIAL	QTY	FINISHING	UP TO 5mm: ±0.1	ANGULAR ±1°	A0	2021.12.03	首次发行	GYW	
6	DC005 PING	BRASS	1	Ni PLATED	UP TO 5mm: ±0.1	ANGULAR ±1°	A0	2021.12.03	首次发行	GYW	
5	DC005L 3#SPRING	SUS/PBS	1	Ag PLATED	ABOVE 5mm: ±0.2	±1°	NO	DATE	REVISIONS	BY	APPD
4	DC005L 4#FLAT PIECE	BRASS	1	Ag PLATED	TITLE:DC JACK			UNIT : MM	ROHS COMPLIANT	DWN	
3	DC005L 2#CURVE PIECE	BRASS	1	Ag PLATED	MODEL:DC-005LB			SCALE: 4:1	COMPLIANT	CHK'D	
2	DC005 COVER	PBT	1	BLACK/GREEN/YELLOW	HAOYU(HONGKONG)LIMITED 皓宇(香港)有限公司					APPD	
1	DC005B CASE	PBT	1	BLACK/GREEN/YELLOW						PRO.AGL:	