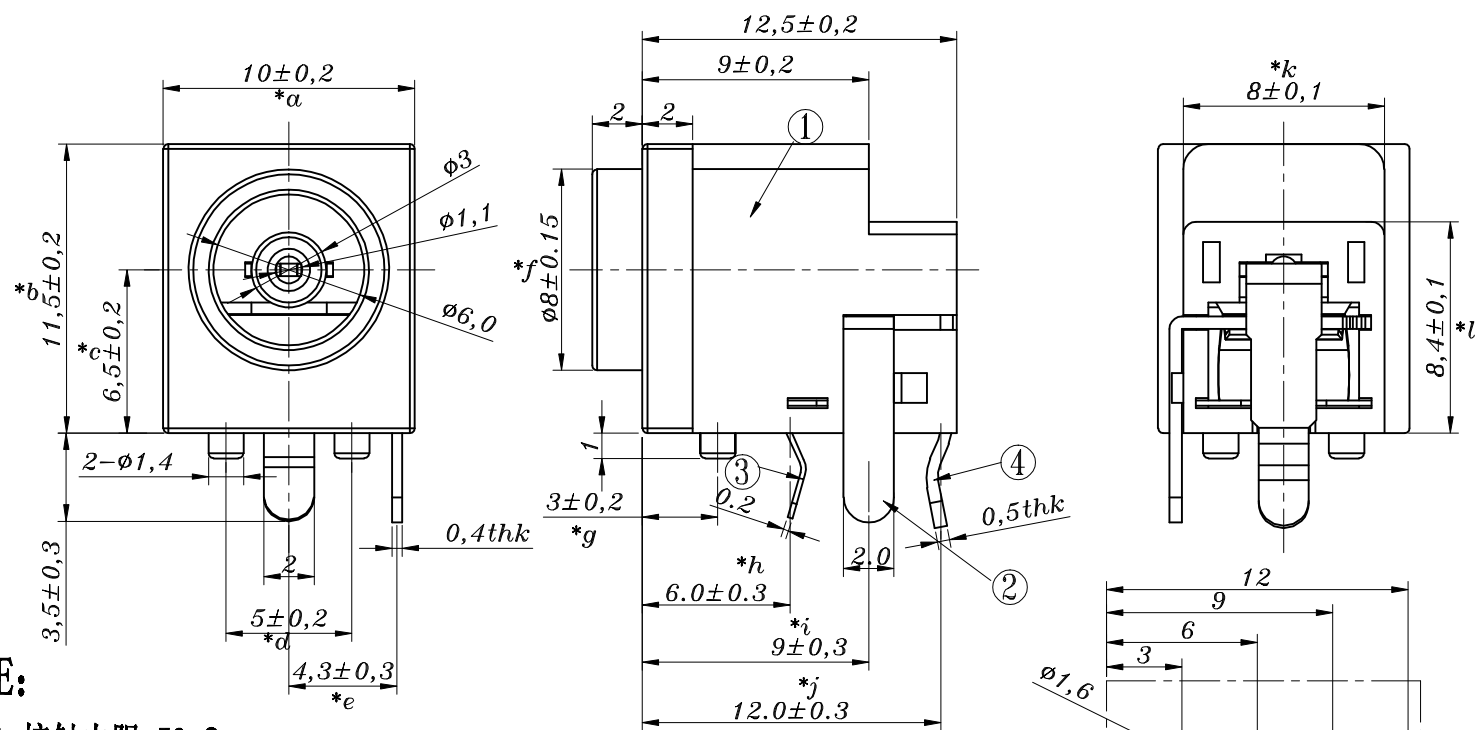
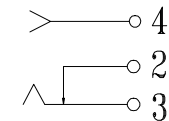
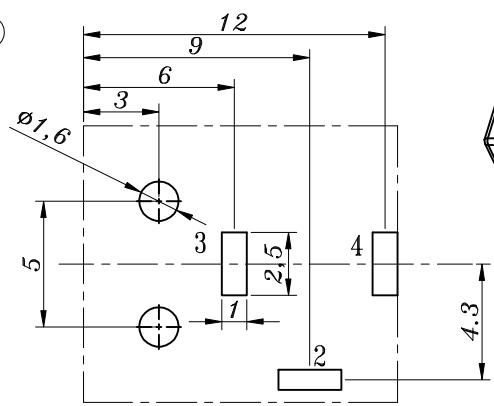


SCHEMATIC

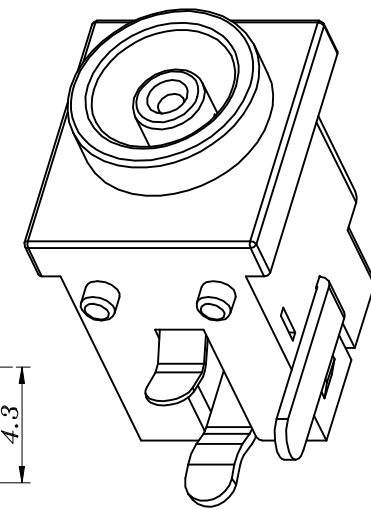


NOTE:

1. 接触电阻: 50mΩ max
2. 绝缘电阻: 100MΩ min
3. 插拔力: 3-30N
4. 寿命测试5000次
5. 耐压250VAC 漏电流0.5ma 1分钟



P.C.B LAYOUT



					TOLERANCE UNLESS SPECIFIED							
					UP TO 5mm: ±0.1	ANGULAR ±1°	A0	2019.01.24	首次发行			
					ABOVE 5mm: ±0.2		NO	DATE	REVISIONS		BY	APPD
4	DC038B	4#CONTACT FOOT	PHOSPHOR BRONZE	1	Ag-Plated	TITLE: DC JACK		UNIT: MM	ROHS COMPLIANT	DWN		
3	DC038	3#SPRING	SUS	1	Ag-Plated	MODEL: DC-038B		SCALE: 1:1		CHK'D		
2	DC038	2#CURVE PIECE	BRASS	1	Ag-Plated	HAOYU(HONGKONG)LIMITED 皓宇(香港)有限公司				APPD		
1	DC038B	CASE	PBT+30%GF	1	BLACK/PINK							
NO.	PART	NAME	MATERIAL	QTY	FINISHING					PRO.AGL:		REV: A0