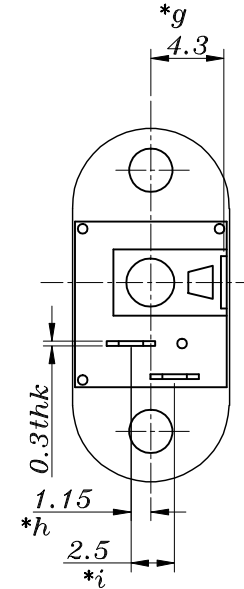
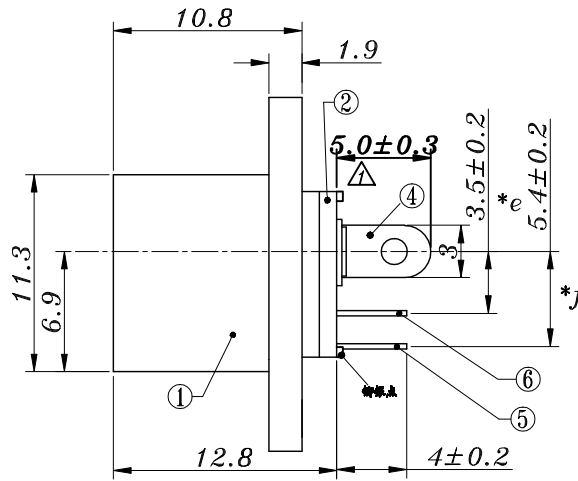
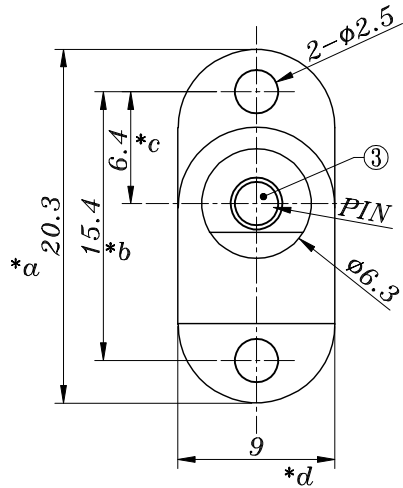
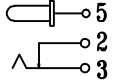
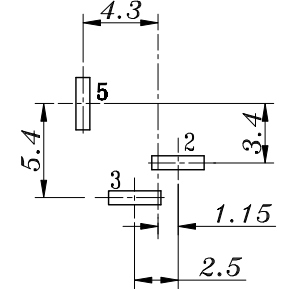


SCHEMATIC



P.C.B LAYOUT
TOP VIEW



PIN	φ2.0	φ2.35	φ2.5
APPD.			

				TOLERANCE UNLESS SPECIFIED								
6	CURVE PIECE	BRASS	1	Ag-PLATED	UP TO 5mm: ±0.1	ANGULAR	A1	2018.6.27	将原尺寸5.4改为5.0			
5	SPRING	PBS/SUS	1	Ag-PLATED	ABOVE 5mm: ±0.2	±1°	NO	DATE	REVISIONS		BY APPD	
4	FLAT PIECE	BRASS	1	Ag-PLATED	TITLE: DC JACK			UNIT : MM	ROHS COMPLIANT	DWN		
3	PIN	BRASS	1	NI-PLATED	MODEL: DC-017			SCALE: 1:1	CHK'D			
2	BASE	PBT/PCB	1		HAOYU(HONGKONG)LIMITED 皓宇(香港)有限公司						APPD	
1	CASE	PBT	1	BLACK							PRO.AGL:	
NO.	PART NAME	MATERIAL	QTY	FINISHING								