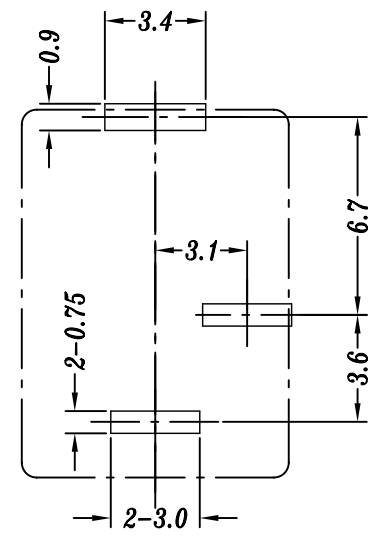
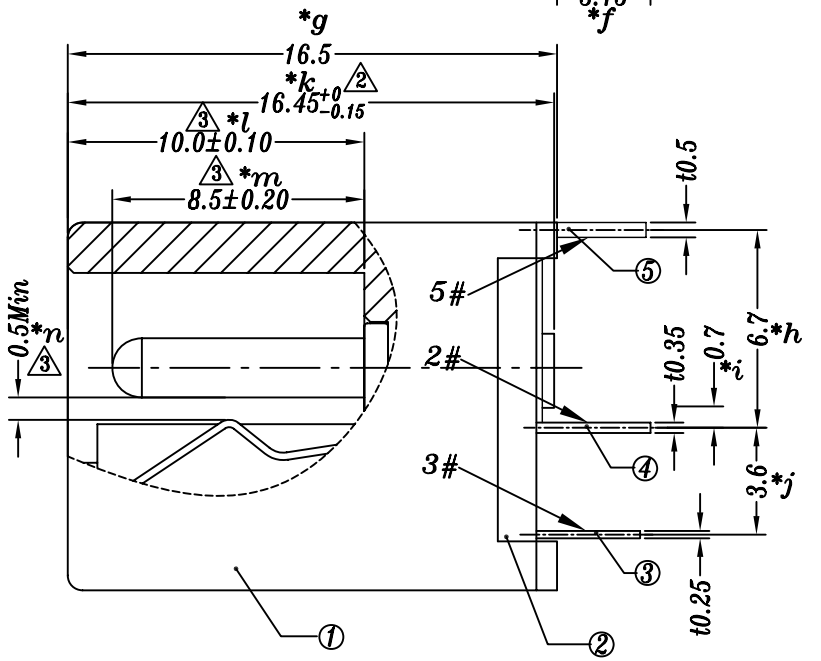
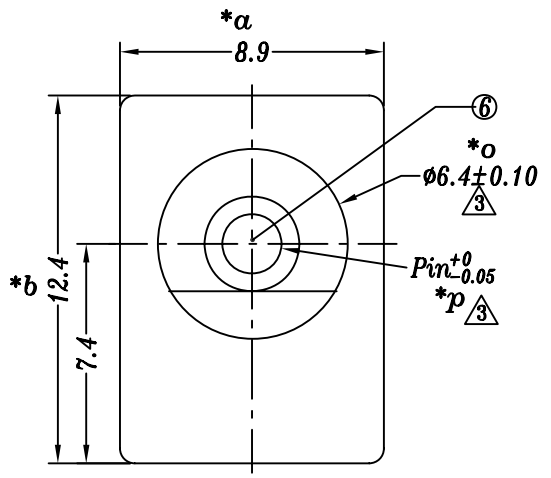
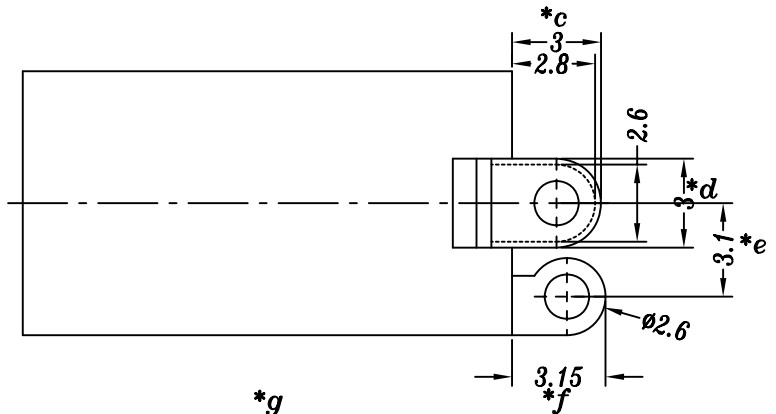


PIN	φ2.0	φ2.5
APPD.		



P.C.B LAYOUT TOP VIEW

NO.	PART NAME	MATERIAL	QTY	FINISHING	TOLERANCE UNLESS SPECIFIED	A3	2019.09.27	依客户要求新增尺寸管控	pwj	
6	DC015F PIN	BRASS	1	Ni-plating	UP TO 5mm: ±0.1	A2	2018.08.04	新增尺寸管控16.45	pwj	
5	DC015F 5#CONTACT FOOT	BRASS	1	Ag-plating	ABOVE 5mm: ±0.2	A1	2018.05.26	试产OK, 新增尺寸管控	GYW	
4	DC015F 2#FLAT PIECE	BRASS	1	Ag-plating		A0	2018.01.09	首次发行	GYW	
3	DC015F 3#SPRING	PBS	1	Ag-plating		NO	DATE	PARTICULARS	BY	APPD
2	DC015F COVER	PBT	1	GRAY/BLACK		TITLE: DC POWER JACK		UNIT : MM	ROHS COMPLIANT	DWN
1	DC015F CASE	PBT	1	GRAY/BLACK		MODEL: DC-015F		SCALE: 4:1	CHK'D	APPD
					HOOYA ELECTRONIC COMPANY LIMITED.					
					皓宇电子有限公司		PRO.AGL:		REV :A3	