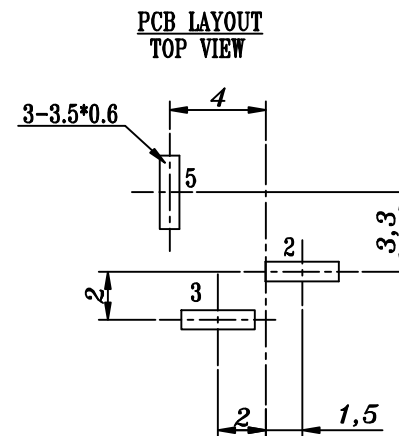
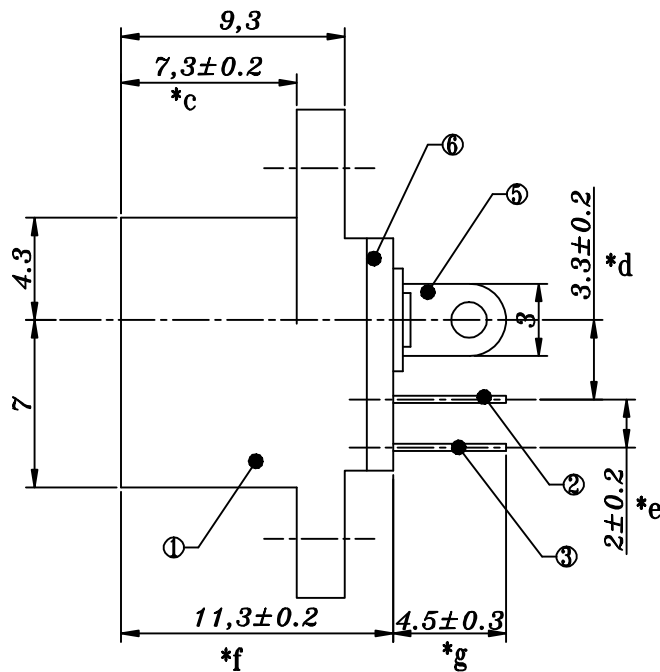
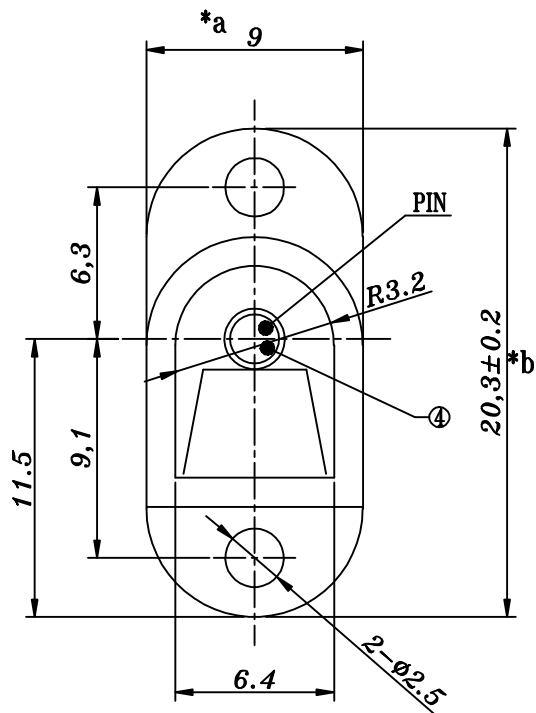
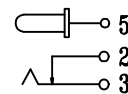


SCHEMATIC



PIN	∅2.0	∅2.5	
APPD.			

NO.	PART NAME	MATERIAL	QTY	FINISHING	TOLERANCE UNLESS SPECIFIED							
6	COVER	PBT			UP TO 5mm: ±0.1	ANGULAR	1	2017.3.8	增加重点尺寸			
5	CONTACT FOOT	BRASS	1	Sn-PLATED	ABOVE 5mm: ±0.2	±1°	NO	DATE	REVISIONS		BY	APPD
4	PIN	BRASS	1	Ni-PLATED	TITLE: DC JACK		UNIT : MM		ROHS	DWN		
3	SPRING	STEEL/PBS	1	Sn-PLATED	MODEL: DC-016		SCALE: 1:1		COMPLIANT	CHK'D		
2	FLAT PIECE	BRASS	1	Sn-PLATED	HAOYU(HONGKONG)LIMITED 皓宇(香港)有限公司				APPD			
1	HOUSING	PBT	1								PRO.AGL:	