


M2C

Indicator (Cylindrical 12-dia.)

Indicator with Cylindrical 20-mm × 12-dia. Body

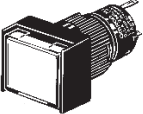
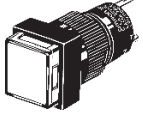
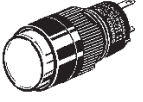
- Same basic design as the A3C Pushbutton Switch.
- Good illumination with even surface brightness.
- Cylindrical body means panel cutouts can be made easily.

RoHS Compliant

 Refer to *Safety Precautions for All Pushbutton Switches/Indicators* and *Safety Precautions for the A3C*.



List of Models

Appearance	Model
Rectangular 	M2CJ
Square 	M2CA
Round 	M2CT

Model Number Legend

The model numbers used to order sets of Units are illustrated below. One set comprises the Display, Lamp, and Socket Unit.
For information on combinations, refer to *Ordering Information*

(1) (2) (3) (4) (5)
M 2 C J - 9 0 A 1 - 24 E R

(1) Shape of Display

Symbol	Shape
J	Rectangular
A	Square
T	Round

(2) Terminal Type

Symbol	Terminal type
A	Solder terminals

(3) Lighting Type

Symbol	Lighting type
1	Illumination only

(4) Lighting Method LED lamp-lighted Models

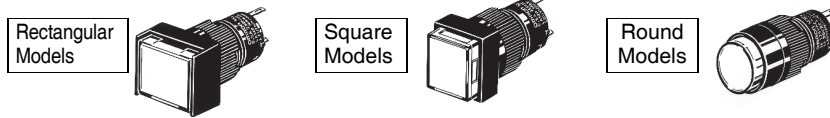
Symbol	Operating voltage
05E	5 VDC
12E	12 VDC
24E	24 VDC

(5) Color of Display For LED lamp

Symbol	Color
R	Red
Y	Yellow
G	Green
W	White

Ordering Information

Ordering as a Set The model numbers used to order sets of Units are given in the following tables. One set comprises the Display, Lamp, and Socket Unit.



Solder Terminals

Appearance	Lighting	Model number (for set)	Display color symbol	Minimum packing unit
Rectangular (M2CJ)	LED lamp	M2CJ-90A1-05E□	R: red Y: yellow G: green W: white	10 pcs
		M2CJ-90A1-12E□		
		M2CJ-90A1-24E□		
Square (M2CA)	LED lamp	M2CA-90A1-05E□	R: red Y: yellow G: green W: white	
		M2CA-90A1-12E□		
		M2CA-90A1-24E□		
Round (M2CT)	LED lamp	M2CT-90A1-05E□	R: red Y: yellow G: green W: white	
		M2CT-90A1-12E□		
		M2CT-90A1-24E□		

Note: Enter the desired color symbol for the Display in the □ at the end of the model number.

M
2
C

Individual models: Refer to pages 4 to 5.
(The Display, Lamp, and Socket Unit can be ordered separately.)

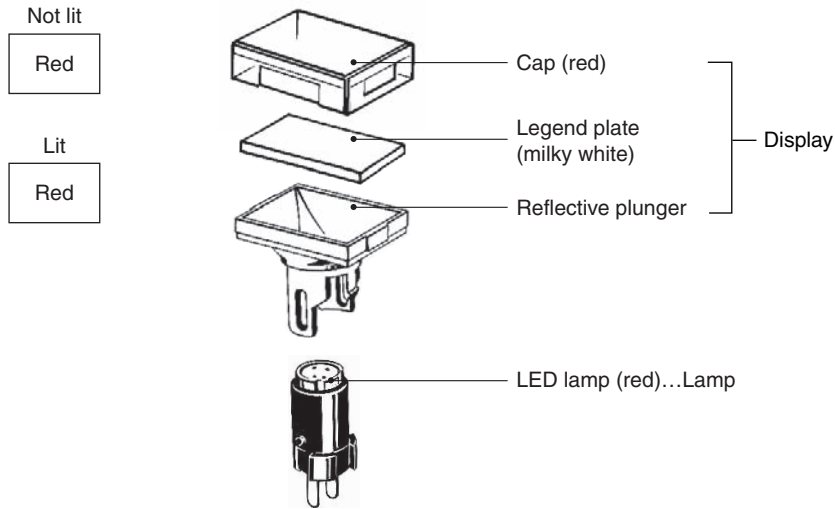
■ Ratings: Refer to page 6. ■ Dimensions: Refer to page 7.
■ Accessories: Refer to the A3C.

Ordering Information

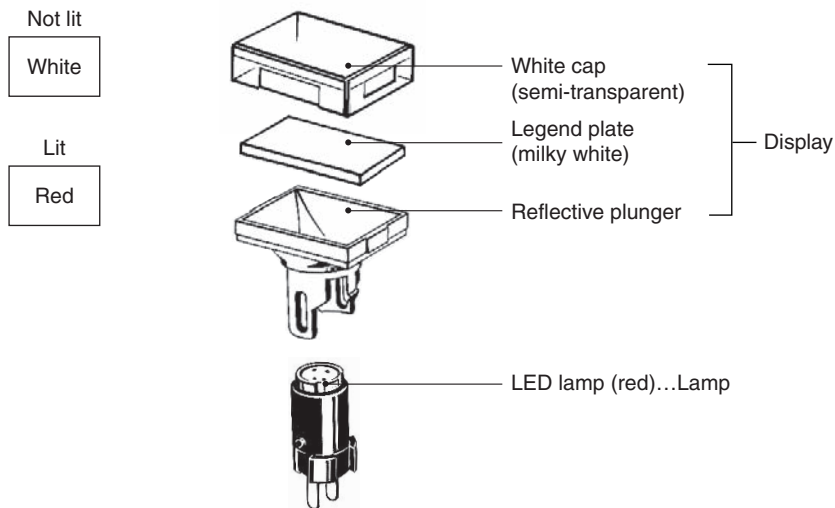
Illumination-only and Colored-illumination LED Models

“Illumination only” describes LED models for which the screen color is the same whether the LED is lit or not. The screen simply becomes brighter when the LED lights.

Example: Red LED



“Colored illumination” describes LED models for which the screen color is white when the LED is not lit and changes to the color of the LED lamp when the LED is lit.



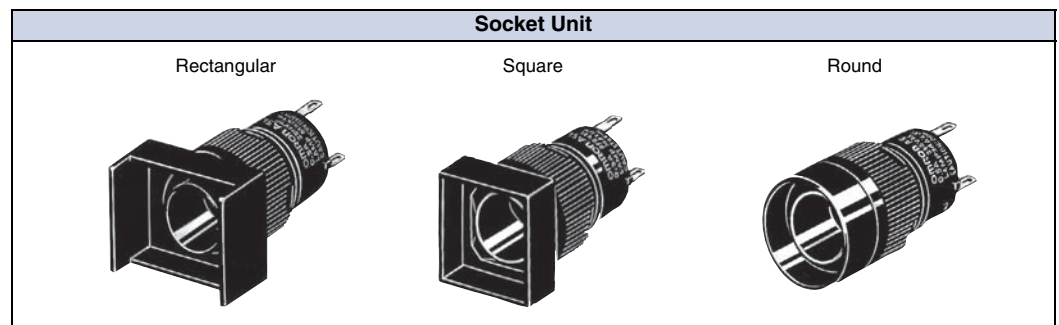
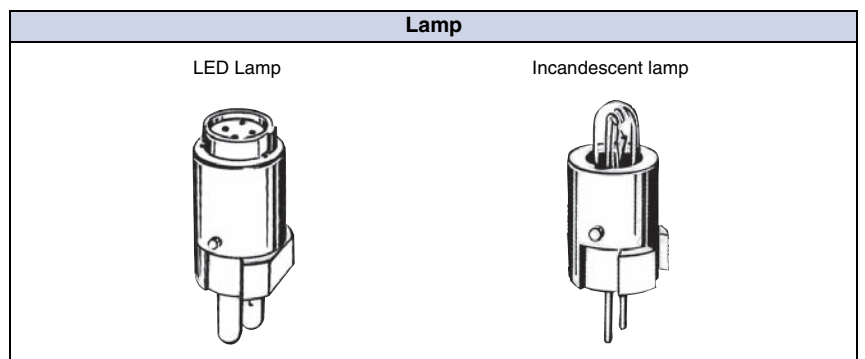
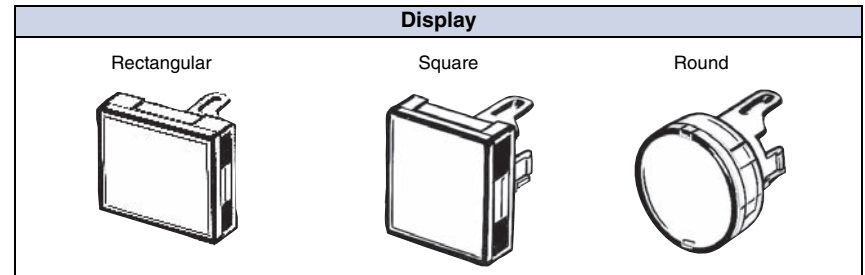
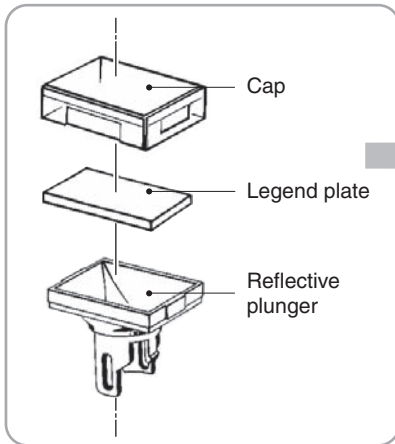
Ordering: With colored-illumination models, order the Display, Lamp, and Socket Unit as shown in the following table.

Illuminated color	Display	Lamp (LED)		Socket Unit
Red	IP40 A3C□-500W Enter one of the following symbols in □. J: Rectangular A: Square T: Round	A16-□DR	Enter one of the following symbols in □. 5: 5 VDC 12: 12 VDC 24: 24 VDC	Refer to page 5. Order the Socket Unit that is appropriate for the Display.
Yellow		A16-□DY		
Green		A16-□DG		

Ordering Information

Ordering Individually Displays, Lamps, and Socket Units can be ordered separately. Combinations that are not available as sets can be created using individual Units. Also, store the parts as spares for maintenance and repairs.

Ordering: Specify a model number from the following page.



M
2
C

Ordering set combinations: Refer to page 2.

■ Ratings: Refer to page 6. ■ Dimensions: Refer to page 7.


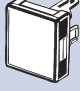

■ Accessories: Refer to the A3C.

Ordering Information

Ordering IndividuallyThe Display, Lamp, and Socket Unit can be ordered separately. They can also be used as inventory for maintenance parts.


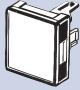

Display (Lighted Models)

LED Lamp

Appearance	Rectangular	Square	Round
Button color			
Red	A3CJ-500R	A3CA-500R	A3CT-500R
Yellow	A3CJ-500Y	A3CA-500Y	A3CT-500Y
Green	A3CJ-500GY	A3CA-500GY	A3CT-500GY
White	A3CJ-500W	A3CA-500W	A3CT-500W
Minimum packing unit	50 pcs		

Note: The red, yellow, and white Displays listed above can be used with either LED lamp-lighted models or incandescent lamp-lighted models.

Incandescent Lamp

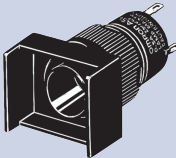
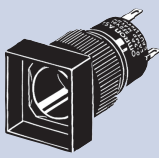
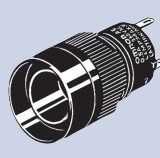
Appearance	Rectangular	Square	Round
Button color			
Red	A3CJ-500R	A3CA-500R	A3CT-500R
Yellow	A3CJ-500Y	A3CA-500Y	A3CT-500Y
Green	A3CJ-500G	A3CA-500G	A3CT-500G
White	A3CJ-500W	A3CA-500W	A3CT-500W
Blue	A3CJ-500A	A3CA-500A	A3CT-500A
Minimum packing unit	50 pcs		

Lamp

LED Lamp

Rated voltage	Color	Red	Yellow	Green	White	Minimum packing unit
5 VDC		A16-5DR	A16-5DY	A16-5DG	A16-5DW	100 pcs
12 VDC		A16-12DR	A16-12DY	A16-12DG	A16-12DW	
24 VDC		A16-24DR	A16-24DY	A16-24DG	A16-24DW	

Socket Unit

Sealing	IP40		
Appearance	Rectangular	Square	Round
Terminal			
Solder terminals	M2CJ-7001	M2CA-7001	M2CT-7001
Minimum packing unit	10 pcs		

Specifications

Ratings

LED Lamp

Rated voltage	Rated current	Operating voltage	Internal limiting resistance
5 VDC	30 mA	5 VDC±5%	33 Ω
12 VDC	15 mA	12 VDC±5%	270 Ω
24 VDC	10 mA	24 VDC±5%	1,600 Ω

Incandescent Lamp

Rated voltage	Rated current	Operating voltage
6 VAC/VDC	60 mA	5 VAC/VDC
14 VAC/VDC	40 mA	12 VAC/VDC
28 VAC/VDC	24 mA	24 VAC/VDC

Ambient operating temperature	-10°C to +55°C (with no icing or condensation)
Ambient operating humidity	35% to 85%RH
Ambient storage temperature	-25°C to +65°C (with no icing or condensation)

Approved Standard Ratings

UL (File No. E41515), CSA (File No. LR45258)

LED: 24 VDC max.

Incandescent lamp: 1 W at 28 VAC/VDC

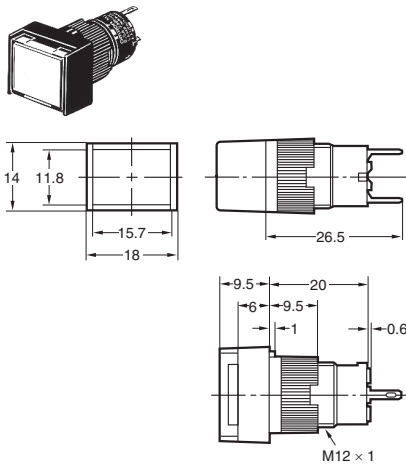
Note: Certification has been obtained for the Indicator.

For detailed information on individual products that have received certification, consult your supplier.

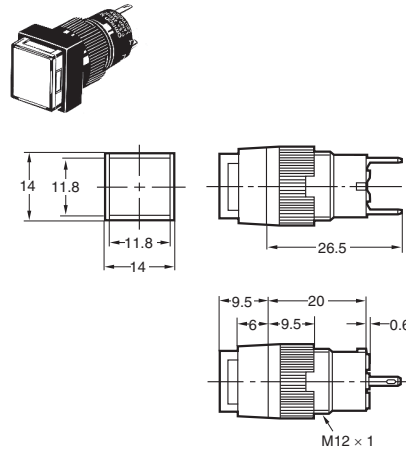
Dimensions

(Unit: mm)

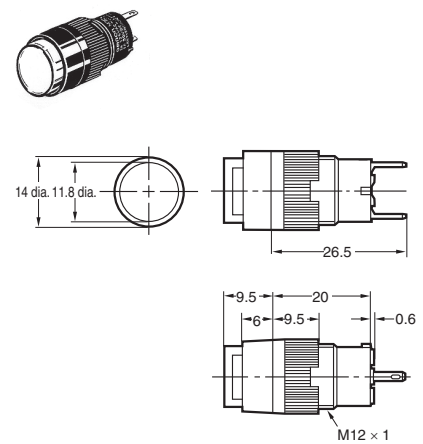
Rectangular Models (M2CJ)



Square Models (M2CA)



Round Models (M2CT)

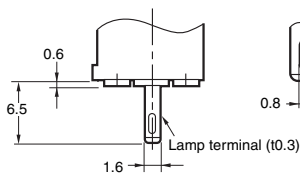


Note: Unless specified, there is a tolerance of ± 0.4 mm for dimensions.

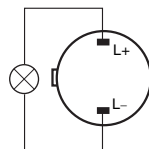
Terminal Connections

Solder terminal

Terminal Hole Dimensions



Terminal Arrangement (bottom view)



Panel Cutout (Top View)

	Rectangular/M2CJ	Square/M2CA, Round/M2CT
Indicator Unit only	<p>12 dia. $\frac{+0.2}{0}$, 19 min., 7.5\pm0.1, 2 dia. (Lock hole), 5.5\pm0.1, 15 min.</p>	<p>12 dia. $\frac{+0.2}{0}$, 15 min.</p>
With Dust Cover	<p>12 dia. $\frac{+0.2}{0}$, 22.5 min., 7.5\pm0.1, 2 dia., 5.5\pm0.1, 19 min.</p>	---

• If the panel is to be finished (e.g., coated), make sure that the panel meets the specified dimensions after the coating.

Accessories, Replacements, and Tools

The accessories, replacements, and tools for the A3C Lighted Pushbutton Switch can also be used with the A3C. Refer to the A3C.

Safety Precautions

Refer to *Safety Precautions for Pushbutton Switches/Indicators* and *Safety Precautions for the A3C*.

■ Ratings: Refer to page 6. ■ Dimensions: Refer to this page.

Please check each region's Terms & Conditions by region website.

OMRON Corporation Electronic and Mechanical Components Company

Regional Contact

Americas

<https://www.components.omron.com/>

Asia-Pacific

<https://ecb.omron.com.sg/>

Korea

<https://www.omron-ecb.co.kr/>

Europe

<http://components.omron.eu/>

China

<https://www.ecb.omron.com.cn/>

Japan

<https://www.omron.co.jp/ecb/>