

# 承认书

## SPECIFICATION FOR PRODUCT

客户名称

Customer Name

客户料号

Customer P/N

产品名称

Product Name

制造商料号

Manufacturer P/N



YLR06-W5

申请承认日期

Apply Date

注意：禁止使用1级环境管理物质.遵守ACBEL"环境管理物质规范"中所要求之含量标准.

Note: Banned use of hazardous substances of level 1; Comply with "Specification for Hazardous Substances and Materials Management" of ACBEL

供货商			客户		
拟定 Draft	审核 Checked	批准 Approved	拟定 Draft	审核 Checked	批准 Approved
冷雪龙	胡紫阳				
 供货商印鉴 Vendor Stamp			客户承认印鉴 Customer Accepted and Stamp		
YZ-WP-EN-084					

总部地址：深圳市龙华区清祥路1号宝能科技园3期1栋B座13层

Headquarters address: 13th floor, block B, building 1, Baoneng Science Park  
Phase 3, No. 1 Qingxiang Road, Longhua District, Shenzhen  
电话: 0755-26517682  
Tel: +86-0755-26517682



Confidential and Proprietary To Shenzhen Yezhan electronics all right reserved

# 低阻值合金电流采样贴片电阻-YLR06-W5系列

Low Resistance Metal Strip Chip Resistors-YLR06-W5 series



业展电子  
YEZHAN ELECTRONICS



## 特征 Features

阻值范围 Resistance value	0.5~50mΩ
精度 Tolerance	±1%、±2%、±5%
功率 Power	0.25~1.5W
温度系数 Temperature coefficient	±50ppm/°C
合金材质 Alloy material	M:Manganin
工作温度范围 Operating temperature range	-55°C~170°C
低电感 Low inductance	< 5nH (1MHz)
绝缘阻抗 Insulation resistance	≥220MΩ (DC 500V 1min)
耐压值 Withstand voltage	500V
符合RoHS要求	RoHS compliant

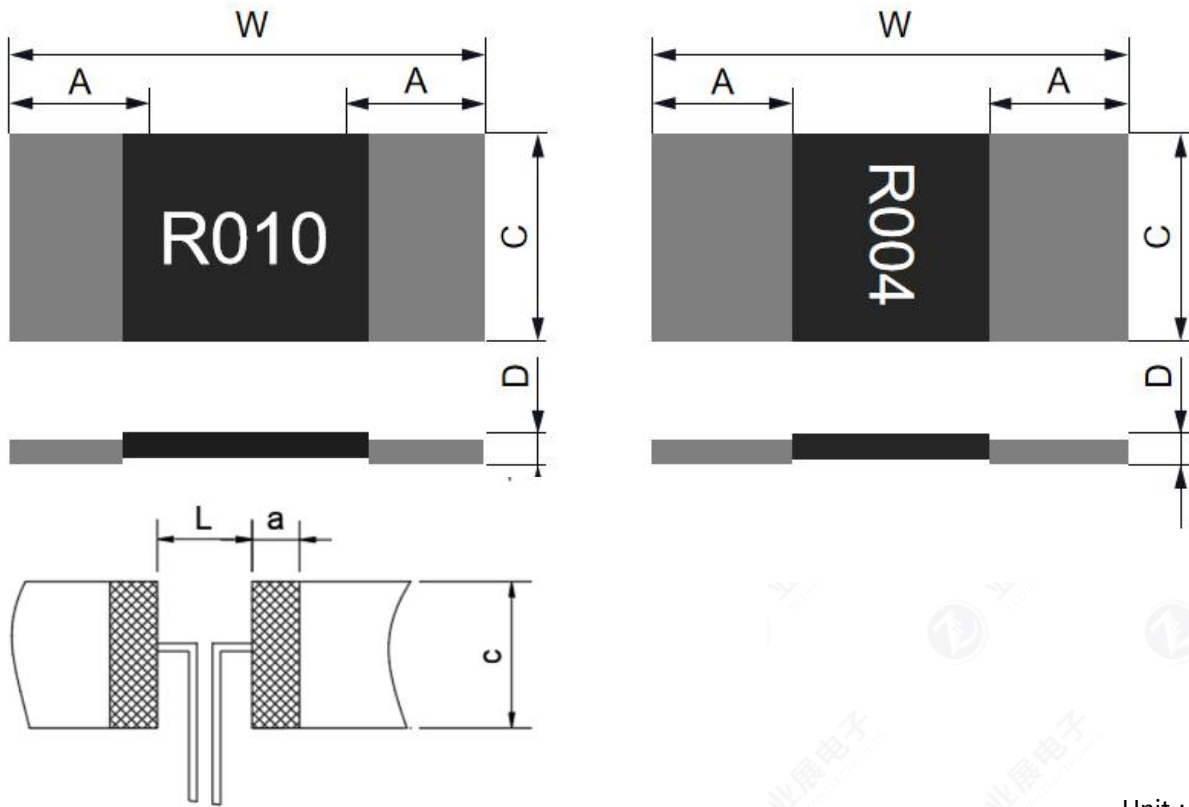
## 应用范围 Applications

电流采样	Current Sensing
过流保护	Over current protection
伺服电机控制电路	Servo motor control circuits
变频电源	Inverter power
电子控制系统	Electric control system
锂电池控制板	Li-battery management system

## 订购信息 Ordering Information

YLR	06	-1	-1	F	-W5
类型 Type	尺寸 Size	功率 Power	阻值 Resistance	精度 Tolerance	其他 Other
YLR	06 : 1206	Unit: W 1/4:0.25W 1/2:0.5W 1:1W 1.5:1.5W	Unit: mΩ 1: 1mΩ 30: 30 mΩ	J : ±5% G : ±2% F : ±1%	W5 : 其他

### 产品尺寸和推荐焊盘尺寸 Products & Recommend Pad Dimension



Unit : mm

Type	Resistance	W	C	A	D	L	a	c
YLR06-W5	0.5~1	3.2±0.2	1.6±0.2	1.1±0.3	1.1±0.2	1.0	2.3	1.8
	1~2				0.75±0.2			
	2~50				0.5±0.3			

### 产品结构图 Item Construction

Electron-beam welded constructions



# 低阻值合金电流采样贴片电阻-YLR06-W5系列

Low Resistance Metal Strip Chip Resistors-YLR06-W5 series



业展电子  
YEZHAN ELECTRONICS

## 标准电气规范 Standard Electrical Specifications

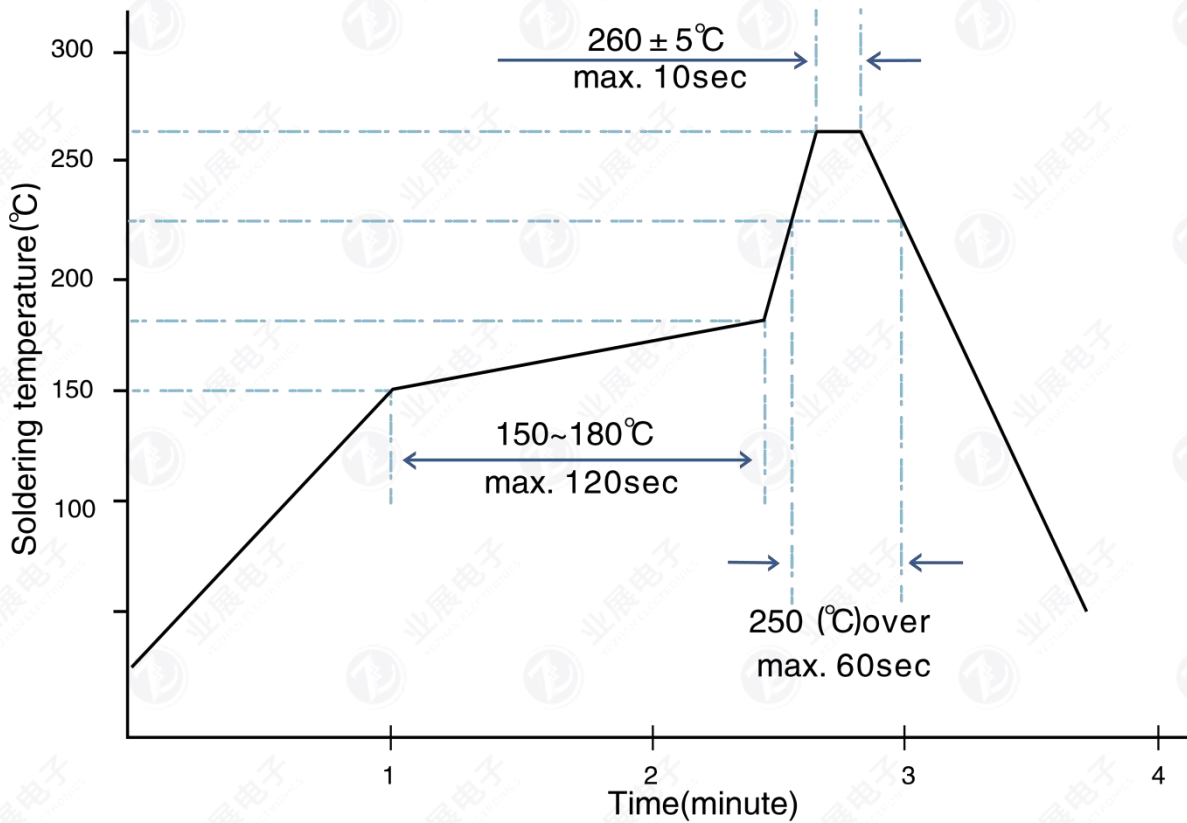
系列 Type	尺寸 Size	功率 Rated Power(W)	材料 Material	阻值 Resistance /mΩ	温漂 TCR <sup>①</sup> (ppm/°C)	精度 Resistance Tolerance (%)	工作温度 Operating Temperature (°C)
		P70°C					
YLR06-W5	1206	1/4 1/2 1 1.5	Manganin	0.5~50	±50	±1% ±2% ±5%	-55°C~170°C

① TCR ( ppm/°C ) : Test conditions at 20°C~120°C.

## 工作特性 Performance Characteristics

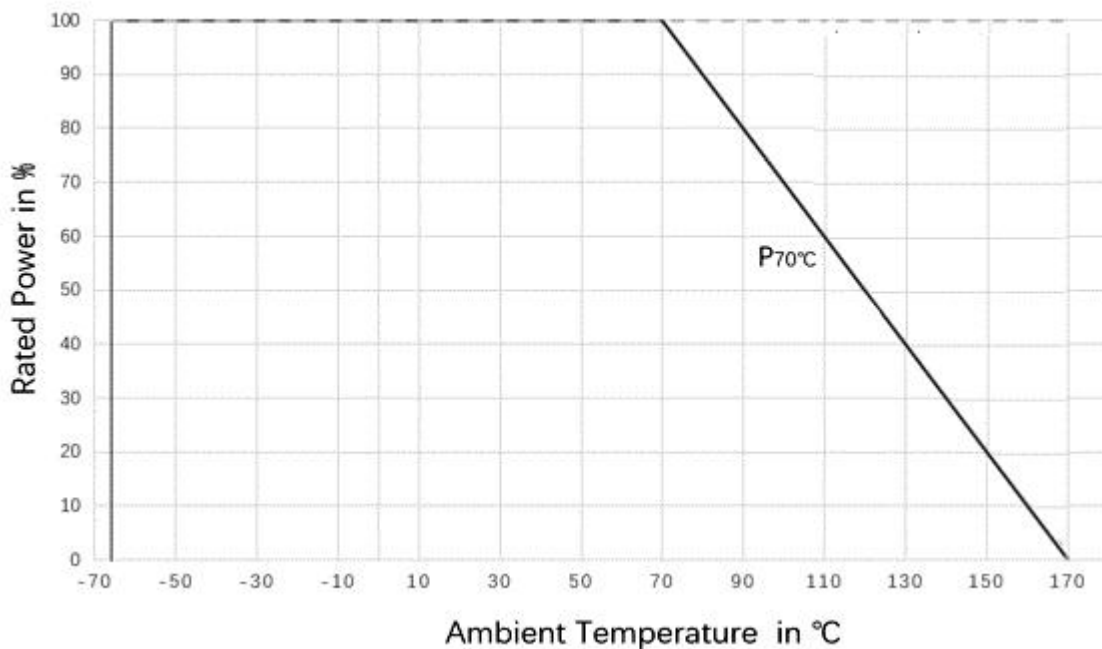
Items	Additional Requirements	Reference	Limits
Temperature Cycling	1000 Cycles (-55°C to +150°C)	JESD22 Method JA-104	±0.5%
ESD Test	1) Direct Contact (DC): ±6kV; 2) Air Discharge (AD): ±12kV, ±16kV, ±25kV;	AEC-Q200 REV D June 1	±0.5%
High Temperature Exposure	1000hrs.@T=170°C.Unpowered.	MIL-STD-202 Method 108	±0.5%
Moisture Resistance	t=24hrs/cycle.Note: Steps 7a & 7b not required. Unpowered.	MIL-STD-202 Method 106	±0.5%
Biased Humidity	1000hrs 85°C/85%RH. Note: Specified conditions:10% of operating power.	MIL-STD-202 Method 103	±0.5%
Operational Life	Condition D Steady State TA=125°C at rated power.	MIL-STD-202 Method 108	±0.5%
Thermal Shock	1000X(-55°C to +150°C)	MIL-STD-202Method107G	±0.5%
Solderability	235°C±5°C,2s±0.5s	J-STD-202	95% Coverage Minimum
Resistance to Soldering Heat	260°C±5°C , 10s±1s	MIL-STD-202 Method 210	±0.5%
Short Time Overload	5×Rated power for 5 s	MIL-STD-202 Method 201	±0.5%
Shock	100g , 6ms , Orientation & Shock time: ±X, ±Y, ±Z; 3 times each orientation, total 18 times.	MIL-STD-202 Method 213	±0.5%
Vibration	5 g's for 20 min, 12 cycles each of 3 orientations. Note: Use 8"X5" PCB .031" thick 7 secure points on one long side and 2 secure points at corners of opposite sides. Parts mounted within 2" from any secure point. Test from 10-2000 Hz.	MIL-STD-202Method204	±0.5%

### 回流焊温度曲线 Solder Reflow Temperature Condition



### 降功率曲线 Power Derating Curve

#### POWER DERATING CURVE



# 低阻值合金电流采样贴片电阻-YLR06-W5系列

Low Resistance Metal Strip Chip Resistors-YLR06-W5 series

## 印字标识 Marking

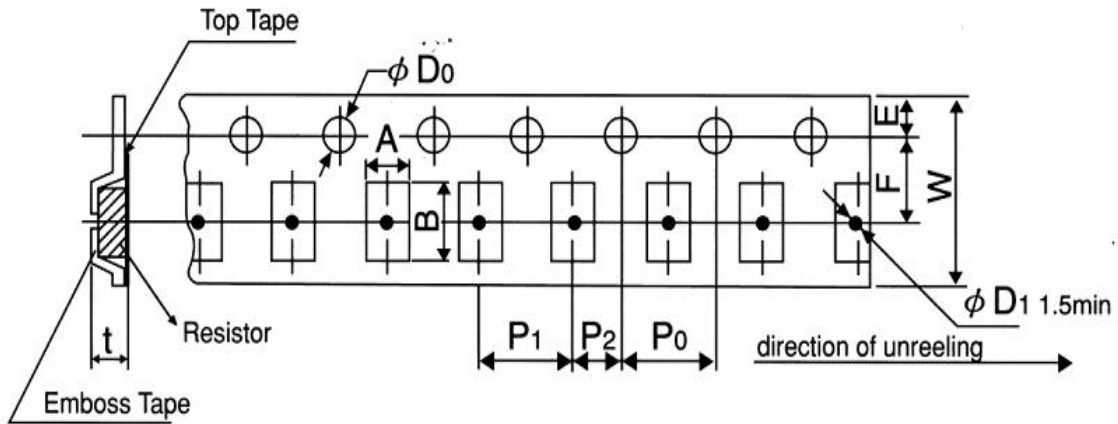
激光字码 ; Laser Marking

All the products marking are 4 digits. 'R' designates the decimal location in ohms  
E.g.,  
3mΩ=R003; 100mΩ=R100 ; 1.5mΩ=1m50

标准品为激光字码，如需白色丝印字码，请咨询业展销售团队。  
Laser marking is default. If need white printed marking, pls contact Yezhan sales team.

## 包装 Packing

存储条件 Storage Conditions: Temperature:5°C~35°C, Humidity:40%~75%  
编带盘装 : Embossed Plastic Tape



Unit/mm

Type	A±0.15	B±0.2	W±0.2	F±0.05	E±0.1	P <sub>1</sub> ±0.1	P <sub>2</sub> ±0.05	P <sub>0</sub> ±0.1	D <sub>0</sub> ±0.1	t±0.1
YLR06-W5	2.0	3.6	8.0	3.5	1.75	4.0	2.0	4.0	Φ1.5	0.84

3000 PCS/ reel (0.5mΩ≤R < 1mΩ)  
5000 PCS/ reel (1mΩ<R < 50mΩ)

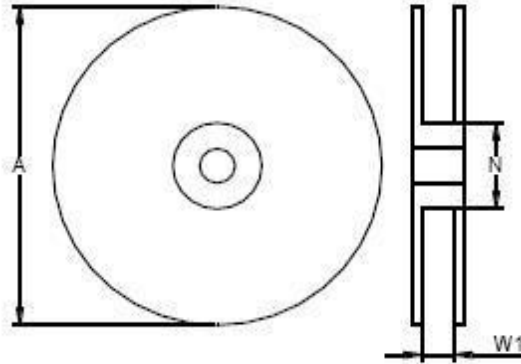
# 低阻值合金电流采样贴片电阻-YLR06-W5系列

Low Resistance Metal Strip Chip Resistors-YLR06-W5series



业展电子  
YEZHAN ELECTRONICS

## 料盘规格 Reel & Tape Specifications



Unit/mm

Type	A±2	N±1	W1±1
YLR06	178	60	9

## 版本信息 Version History

Version	Date	Description of amendment	Remarks
A1.0	07-Mar-2023	First issue for this specification	