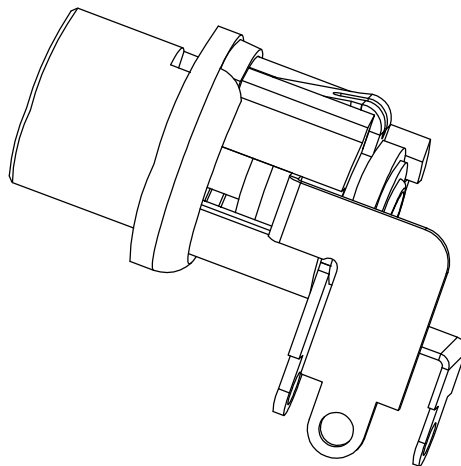
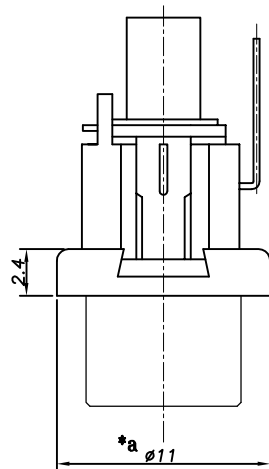
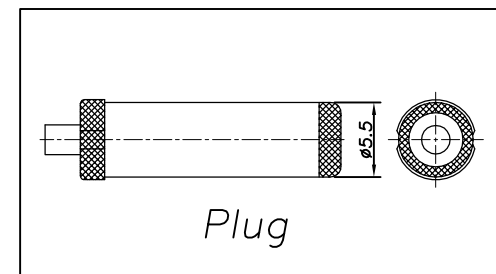
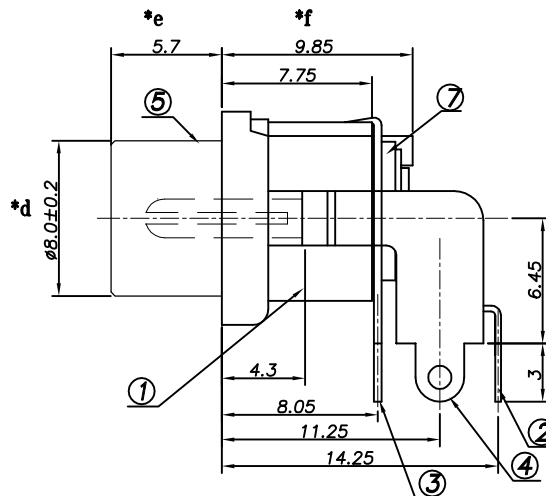
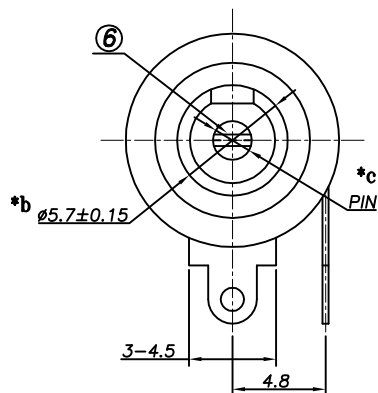
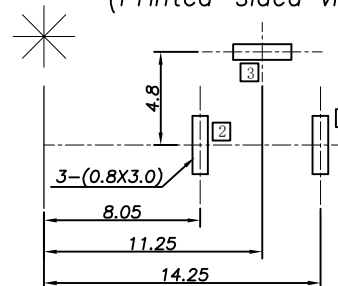


Model NO.	DC-01240	DC-01240-1
Schematic		

□: TERMINAL 1



P. C. B Layout  
(Printed-sided view)



Plug

				TOLERANCE UNLESS SPECIFIED								
6	CENTER PING	1	PHOSPHOR BRONZE	1	Ni-PLATED	UP TO 5mm: ±0.1	ANGULAR	A1	2022.9.14	更新图纸	ZLK	GYW
5	BUSHING		BRASS	1	Ni-PLATED	ABOVE 5mm: ±0.2	±1°	NO	DATE	REVISIONS	BY	APPD
4	SHUNT TERMINAL	3	PHOSPHOR BRONZE	1	Cu/Sn-PLATED	TITLE: DC JACK			UNIT : MM	ROHS	DWN	
3	TIP SPRING	2	PHOSPHOR BRONZE	1	Cu/Sn-PLATED	MODEL: DC-01240			SCALE: 1:1	COMPLIANT	CHK'D	
2	CENTER PIN TERMINAL	1	BRASS	1	Cu/Sn-PLATED	DONGGUANG HAOYU ELECTRONICS CO., LTD					APPD	
1	HOUSING		PBT	1	BLACK	东莞市弘皓电子有限公司						
NO.	PART NAME		MATERIAL	QTY	FINISHING	PRO.AGL:					REV :A1	



DONGGUANG HAOYU ELECTRONICS CO., LTD  
东莞市弘皓电子有限公司