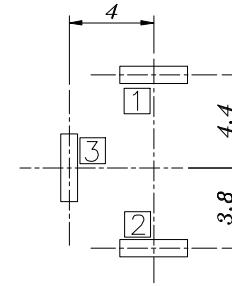
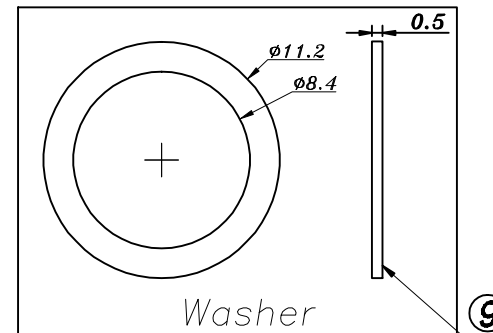
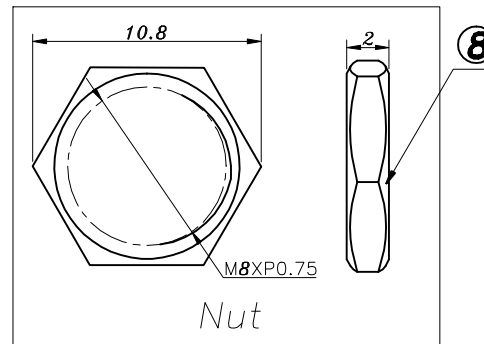
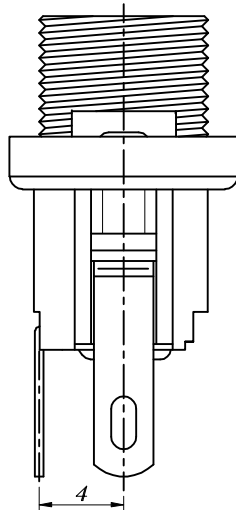
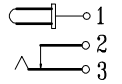


P. C. B Layout
(Copper-sided view)



SCHEMATIC



PIN	ø2.0	ø2.35	ø2.5
APPD.			

9	Washer-2	SPCC	1	Ni-Plating
8	Nut	Brass	1	Ni-Plating
7	Washer-1	Bakelite	2	
6	Pin	Bronze	1	Ni-Plating
5	Bushing	Brass	1	Ni-Plating
4	Shunt Terminal [2]	Brass	1	Cu-Sn-Plating
3	Tip Spring [3]	Phosphor bronze	1	Cu-Sn-Plating
2	Center pin terminal [1]	Brass	1	Cu-Sn-Plating
1	Housing	PA66	1	Black
NO.	PART NAME	MATERIAL	QTY	FINISHING

TOLERANCE					
UNLESS SPECIFIED		A2	2019.4.26	更新图纸	XYZ
UP TO 5mm: ±0.1	ANGULAR	A1	2016.9.5	依实物更新尺寸	PWJ
ABOVE 5mm: ±0.2	±1°	NO	DATE	REVISIONS	BY APPD
TITLE: DC JACK			UNIT: MM	ROHS COMPLIANT	DWN
MODEL: DC-025M 红板			SCALE: 1:1		CHK'D
HAOYU(HONGKONG)LIMITED 皓宇(香港)有限公司					APPD
			PRO.AGL:		