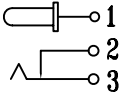
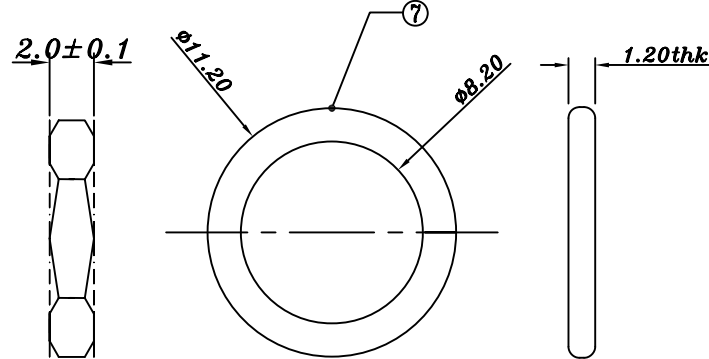
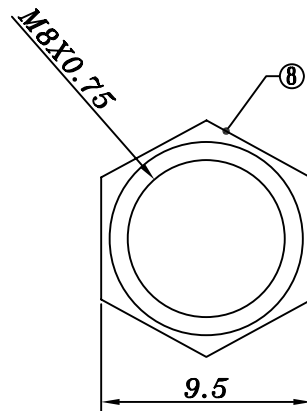
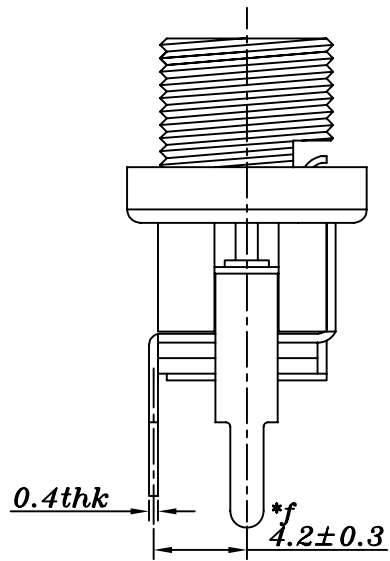
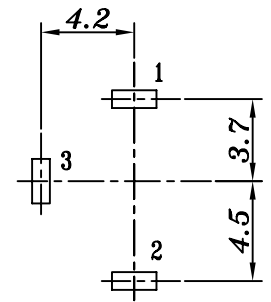


SCHMATIC



P.C.B LAYOUT



PIN	Ø2.0	Ø2.35	Ø2.5
APPD.			

8	NUT	BRASS	1	Ni-Plated	TOLERANCE UNLESS SPECIFIED							
7	GASKET	IRON	1	Ni-Plated								
6	HOUSING	PBT	1	BLACK	UP TO 5mm: ±0.1	ANGULAR	1					
5	AXIS SUPPORT	BRASS	1	Ni-Plated	ABOVE 5mm: ±0.2	±1°	NO	DATE	REVISIONS		BY APPD	
4	PIN	BRASS	1	Ni-Plated	TITLE: DC JACK			UNIT : MM	ROHS COMPLIANT	DWN		
3	SPRING	PHOSPHOR BRONZE	1	Sn-Plated	MODEL: DC-026M			SCALE: 1:1	CHK'D			
2	CURVE PIECE	BRASS	1	Sn-Plated	<b>HAOYU(HONGKONG)LIMITED</b> 皓宇(香港)有限公司						APPD	
1	FLAT PIECE	BRASS	1	Sn-Plated							PRO.AGL:	
NO.	PART NAME	MATERIAL	QTY	FINISHING								