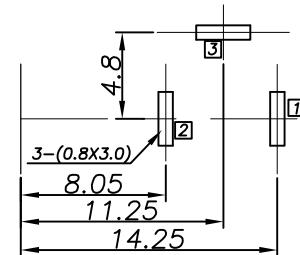
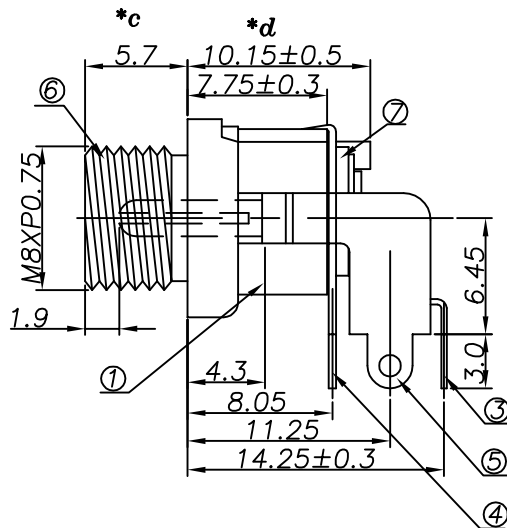
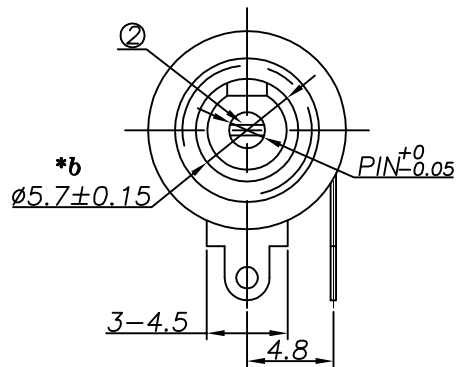
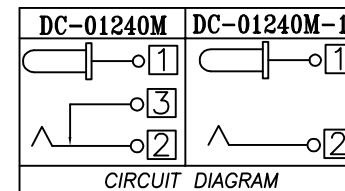


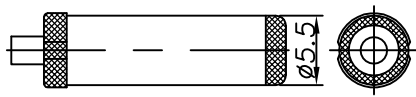
(3D参考视图)



RECOMMENDED P. C. B. LAYOUT  
UNSPECIFIED TOLERANCE: ±0.05  
(COPPER-SIDED VIEW)



|     |      |      |
|-----|------|------|
| PIN | ø2.0 | ø2.5 |
|-----|------|------|



DC MATE PLUG

| NO.                                  | PART NAME             | MATERIAL     | QTY | FINISHING | TOLERANCE<br>UNLESS SPECIFIED |             | 1 2021.11.5 |      | 更新图纸      |  | WM         | APPD           |         |  |
|--------------------------------------|-----------------------|--------------|-----|-----------|-------------------------------|-------------|-------------|------|-----------|--|------------|----------------|---------|--|
|                                      |                       |              |     |           | UP TO 5mm: ±0.1               | ANGULAR ±1° | NO          | DATE | REVISIONS |  | BY         | APPD           |         |  |
| 9                                    | WASHER-2              | BRASS        | 1   | Ni-PLATED |                               |             |             |      |           |  |            |                |         |  |
| 8                                    | NUT                   | BRASS        | 1   | Ni-PLATED |                               |             |             |      |           |  |            |                |         |  |
| 7                                    | WASHER-1              | BAKELITE     | 2   |           |                               |             |             |      |           |  |            |                |         |  |
| 6                                    | BUSHING               | BRASS        | 1   | Sn-PLATED |                               |             |             |      |           |  |            |                |         |  |
| 5                                    | SHUNT TERMINAL ③      | PBS          | 1   | Ag-PLATED |                               |             |             |      |           |  |            |                |         |  |
| 4                                    | SPRING ②              | PBS          | 1   | Ag-PLATED |                               |             |             |      |           |  |            |                |         |  |
| 3                                    | CENTER PIN TERMINAL ① | BRASS        | 1   | Ag-PLATED |                               |             |             |      |           |  |            |                |         |  |
| 2                                    | CENTER PIN            | BRASS        | 1   | Sn-PLATED |                               |             |             |      |           |  |            |                |         |  |
| 1                                    | HOUSING               | PBT(UL94V-0) | 1   | BLACK     |                               |             |             |      |           |  |            |                |         |  |
| HAOYU(HONGKONG)LIMITED<br>皓宇(香港)有限公司 |                       |              |     |           |                               |             |             |      |           |  | UNIT : MM  | ROHS COMPLIANT | DWN     |  |
| TITLE: DC JACK<br>MODEL: DC-01240M   |                       |              |     |           |                               |             |             |      |           |  | SCALE: 1:1 | APPD           |         |  |
|                                      |                       |              |     |           |                               |             |             |      |           |  | PRO.AGL:   |                | REV :A1 |  |