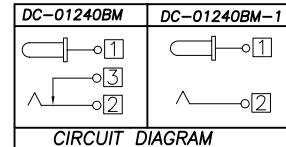
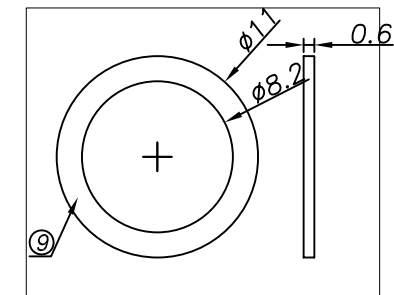
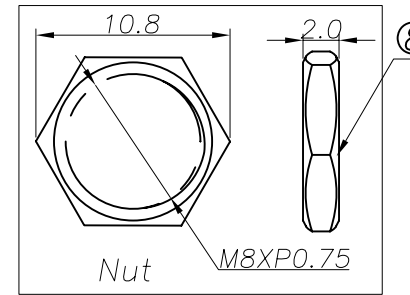
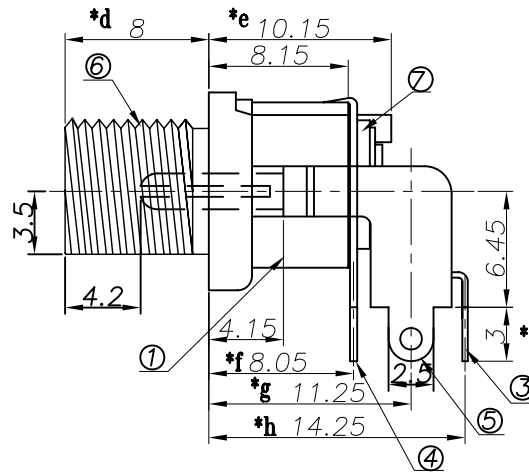
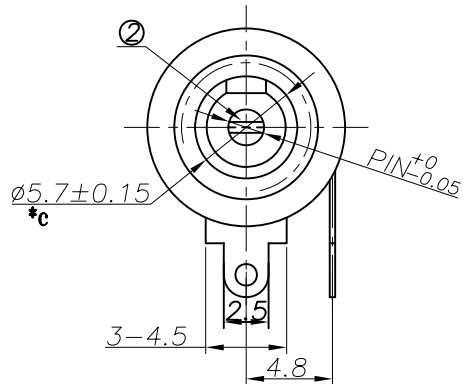


DC MATE PLUG

RECOMMENDED P. C. B. LAYOUT  
UNSPECIFIED TOLERANCE:  $\pm 0.05$   
(COPPER-SIDED VIEW)



Center Pin	$\phi 2.0$	$\phi 2.5$
------------	------------	------------

9	WASHER-2	BRASS	1	Ni-PLATED
8	NUT	BRASS	1	Ni-PLATED
7	WASHER	BAKELITE	2	RED
6	BUSHING	BRASS	1	Ni-PLATED
5	SHUNT TERMINAL ③ t=2.5	PBS	1	Ag-PLATED
4	TIP SPRING ② t=2.5	PBS	1	Ag-PLATED
3	CENTER PIN TERMINAL ① t=2.5	BRASS	1	Ag-PLATED
2	CENTER PIN	BRASS	1	Ni-PLATED
1	HOUSING	PBT	1	
NO.	PART NAME	MATERIAL	QTY	FINISHING

TOLERANCE UNLESS SPECIFIED									
UP TO 5mm: $\pm 0.1$	ANGULAR	1							
ABOVE 5mm: $\pm 0.2$	$\pm 1^\circ$	NO	DATE	REVISIONS			BY	APPD	
TITLE: DC JACK			UNIT : MM	ROHS COMPLIANT	DWN				
MODEL: DC-01240BM			SCALE: 1:1	CHK'D					
<b>HAOYU(HONGKONG)LIMITED</b> 皓宇(香港)有限公司				APPD					
				PRO.AGL:			REV :A0		