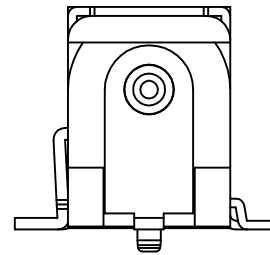
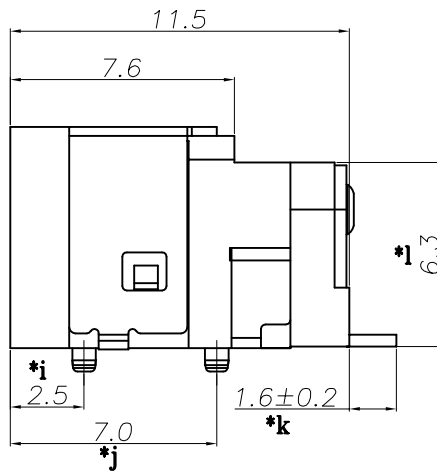
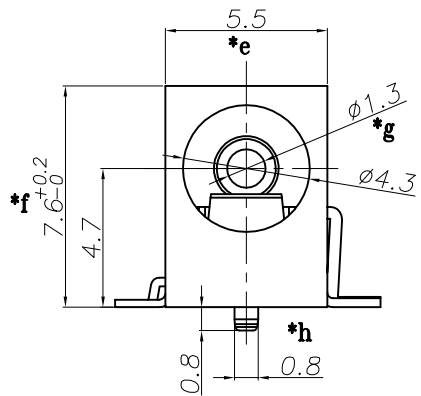
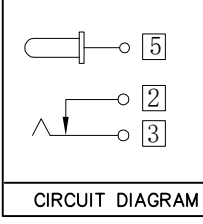
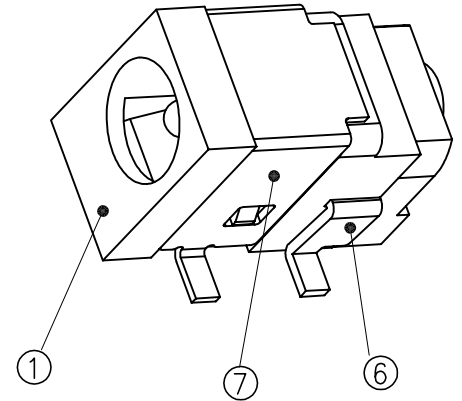


RECOMMENDED P. C. B. LAYOUT
(TOP VIEW)



Specification:

1. Rating : DC 30V 3A;
2. Contact resistance: $\leq 50m\Omega$;
After test: $\leq 100m\Omega$
3. Insulation resistance: $\geq 100M\Omega$ (500VDC);
After test: $\geq 50M\Omega$
4. Withstand voltage: 500VAC ;
5. Insertion and extraction force: 3N~30N;
6. life test: 5000cycles ;
7. Operation temperature range: -20°C~70°C
8. Preservative temperature range: -40°C~85°C

NO.	PART NAME	MATERIAL	QTY	FINISHING	TOLERANCE UNLESS SPECIFIED		DATE		REVISIONS		BY	
7	DC002S 4# SHELL	SUS301	1	Ag-PLATED	UP TO 5mm: ±0.1	ANGULAR	AO	2023.03.01	首次发行		GYW	
6	DC002S 2#CURVE PIECE	BRASS	1	Ag-PLATED	ABOVE 5mm: ±0.2	±1°	NO	DATE	REVISIONS		BY	
5	DC002S 3#SPRING	PHOSPHOR BRONZE	1	Ag-PLATED	TITLE: DC JACK		UNIT : MM	ROHS	DWN			
4	DC002S 5#FLAT PIECE	BRASS	1	Ag-PLATED	MODEL: DC-002S φ1.3-PU		SCALE: 1:1	COMPLIANT	CHK'D			
3	DC002 PIN	BRASS	1	Ni-PLATED	DONGGUANG HAOYU ELECTRONICS CO., LTD				APPD			
2	DC002S COVER	PA10T	1	BLACK	皓宇 HOOYA 东莞市弘皓电子有限公司							
1	DC002S CASE	PA10T	1	BLACK								
PRO.AGL:										REV :AO		